



## PRICE LIST | 01-02-2023

10 FRANKSTON GARDENS DRIVE CARRUM DOWNS VIC 3201

1300 14 14 55 | 03 9708 2600

[www.australianhydronics.com.au](http://www.australianhydronics.com.au)

[sales@australianhydronics.com.au](mailto:sales@australianhydronics.com.au)



member of KORADO Group

# LICON NATURAL CONVECTOR RANGE

## CONTENTS

<b>COMPANY OVERVIEW</b>		<b>PAGE:</b>	<b>03 - 05</b>
<b>KORABASE ELEMENTS</b>		<b>PAGE:</b>	<b>06 - 15</b>
<b>KORAFLEX OPTIMAL</b>	<b>FKO</b>	<b>PAGE:</b>	<b>16 - 36</b>
<b>KORAFLEX BASIC</b>	<b>FKB</b>	<b>PAGE:</b>	<b>37 - 45</b>
<b>KORAFLEX THIN</b>	<b>FKT</b>	<b>PAGE:</b>	<b>46 - 50</b>
<b>KORAFLEX POOL</b>	<b>FKP</b>	<b>PAGE:</b>	<b>51 - 57</b>
<b>KORAFLEX PM GRILL</b>	<b>PM</b>	<b>PAGE:</b>	<b>58 - 69</b>
<b>KORAWALL</b>	<b>OKN</b>	<b>PAGE:</b>	<b>70 - 77</b>

## FAN FORCED CONVECTORS

<b>KORAFLEX OPTIMAL-V   24V</b>	<b>FVO</b>	<b>PAGE:</b>	<b>78 - 106</b>
<b>KORAFLEX ENERGY   240V</b>	<b>FVE</b>		
<b>KORAWALL</b>	<b>OKIOC</b>	<b>PAGE:</b>	<b>107 - 111</b>
<b>WIRING DIAGRAMS</b>		<b>PAGE:</b>	<b>112 - 115</b>



FREE-STANDING  
CONVECTORS  
**KORALINE**



TRENCH HEATERS  
**KORAFLEX**



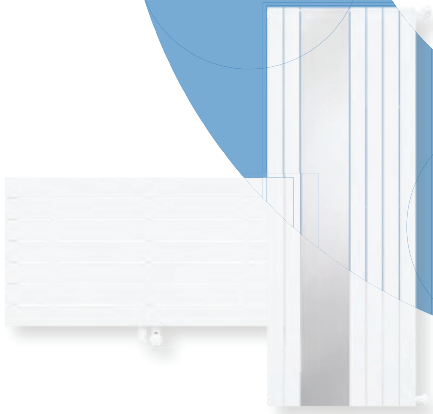
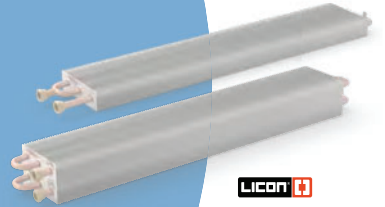
WALL-MOUNTED  
CONVECTORS  
**KORAWALL**



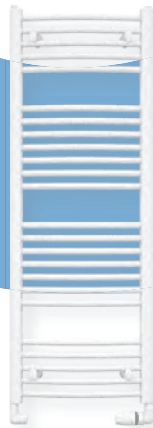
PANEL  
RADIATORS  
**RADIK**



HEAT  
EXCHANGERS  
**KORABASE**



DESIGN HEATING UNITS  
**KORATHERM**



TOWEL RAILS  
**KORALUX**



VENTILATION UNITS AND  
CENTRAL RECUPERATION  
**KORASMART  
KORAVENT  
VENTBOX**

## PRODUCT PORTFOLIO

We offer a very wide range of products under one brand enabling comprehensive solutions for all types of building and space, all of which contribute to maximum compatibility, simplicity of design and service, individual solutions and financial savings.

# Quality for over 50 years

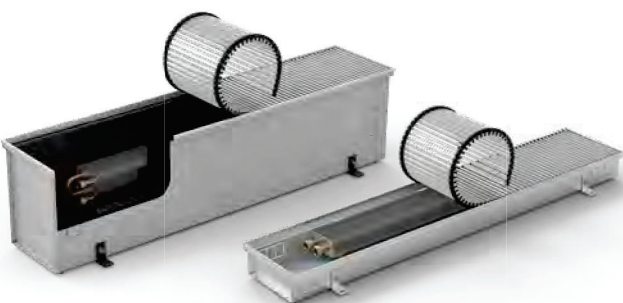
The **first LIKOV steel convectors** were manufactured in Liberec in 1968. They were marketed under the UNIKONTHERM brand and immediately gained recognition on the heating market.



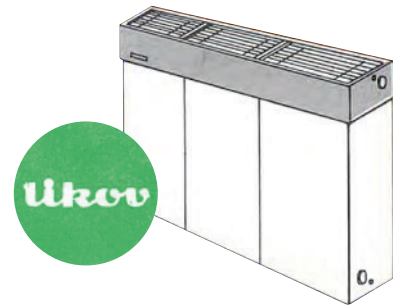
The company underwent a comprehensive transformation in 2004. **LICON HEAT s.r.o.** replaced the former LIKOV. The **product range was revolutionized** with the introduction of **new heat exchanger technology**, together with **a new business export strategy**.



2018 saw the launch of **a new generation of free-standing convectors**. The product portfolio was expanded with particular emphasis on design.



1968



1995

1995 saw significant **modernisation of our product portfolio**, including the production of our **first trench heaters**, satisfying a demand for design-based solutions.

2004



2013

In 2013, **LICON was acquired by KORADO**, marking a milestone in the company's development. This resulted in expansion of the product range.

2018



2020

An innovative **new generation of trench heaters** with natural and forced convection was introduced. There was a significant expansion in the range of trench heaters.



# Why choose LICON convectors?



## A solution for every interior...

We offer trench heaters, wall-mounted, free-standing and special convectors, all of which can be installed unobtrusively, including in stylish interiors.



## An effective heating strategy...

Our convectors offer rapid heat availability, high efficiency, low energy consumption, and economic and environmentally-friendly operation.

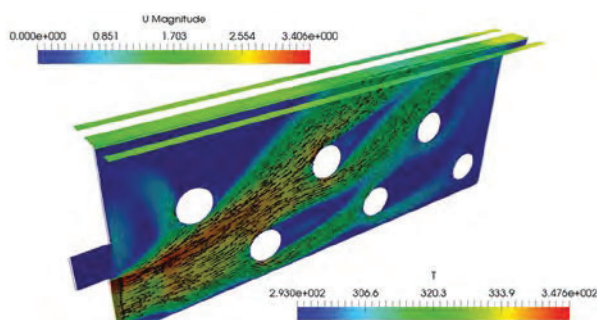
## Straightforward assembly and maintenance.

## Did you know?

- The KORADO Group has its own research and development centre, equipped with EN 442 thermal output and EN 16430 heat and cooling output test chambers.



- LICON HEAT s.r.o. insists on using the most modern research and development methods, and works closely with leading experts in the field, including higher education institutions (the Technical University of Liberec, the Czech Technical University in Prague, etc.).



## A very wide range...

You can choose from a variety of styles suitable for any interior, including dry and humid environments, and pool-side models. We have convectors and trench heaters that both heat and cool, all available in a wide variety of designs.



## The highest technical level...

Convectors and trench heaters are compatible with heating systems using all sources of heat (heat pumps, gas, electricity, solar energy, wood and biomass), including heating systems with low temperature gradient. They provide safe solutions, displaying low surface temperatures not exceeding 43 °C. Both the natural convection and forced convection convectors and trench heaters are fitted with quality grilles, including pencil proof options, guaranteeing enhanced user safety.



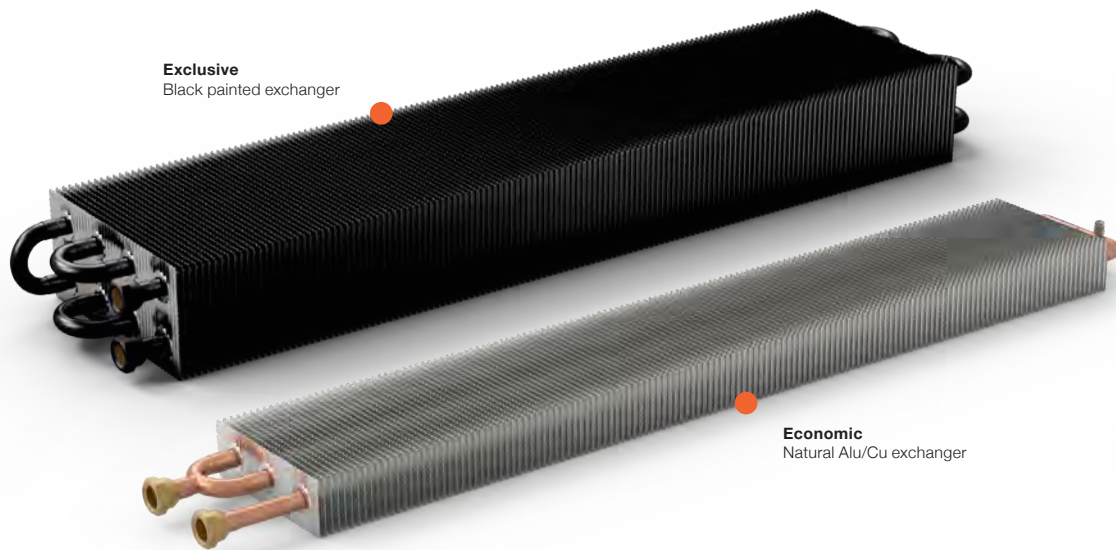
- We use the most up-to-date machines for the manufacture of our products, employing the principles of lean production. Products are manufactured in the shortest possible time while maintaining maximum material's and design quality.
- We are a certified ISO 9001 Quality Management supplier. Our products are manufactured and tested according to ČSN EN 442 and ČSN EN 16430 standards. CE marking indicates that LICON convectors conform to the conditions set out in the Declaration of Performance in accordance with Regulation No. 305/2011 of the European Parliament and of the European Council, and further confirmed by notified authority No. 1015, the Engineering Test Institute, Brno.



Thermal imaging measuring



Slats stress test



## HEAT EXCHANGERS

# KORABASE Exclusive KORABASE Economic

The heat exchanger is a heart of convectors. Nevertheless, it offers many other options of use. Imagine you want your heating bodies to virtually merge in the interior. Build the exchangers into materials which form the whole interior compactly.

# KORABASE Exclusive, Economic

## Technical specification

<b>Height of the exchanger</b>	50, 100 mm
<b>Width</b>	50, 100, 150, 200 mm
<b>Length</b>	800, 1 000, 1 200, 1 400, 1 600, 1 800, 2 000, 2 200, 2 400, 2 600, 2 800, 3 000 mm
<b>Output</b>	according to the height of the exchanger covering, see tables of outputs and correction factors to the different box height
<b>Maximum operating pressure</b>	1,2 MPa
<b>Maximum operating temperature</b>	110 °C
<b>Connecting thread</b>	Internal G 1/2"
<b>Ordering code</b>	see page 12–13

### KORABASE Exclusive

Black painted exchanger

## Description

The KORABASE heat exchanger with low water content is suitable for an individual installation especially at places where the interior compactness in terms of the used materials is required. As the subject to maintaining certain conditions KORABASE heat exchangers can be covered by any material for their smooth building into the space. To achieve the best function and safety the basic requirements how to cover the heat exchanger is listed in assembly instructions. The exchanger is made of copper tubes and aluminium lamellas.

### Standard supply content

- Al/Cu heat exchanger with low water content, air vent and uniquely shaped lamellas for higher heat output
- heat exchanger installation instructions
- the set is packed in the solid PVC foil with protective edge covers

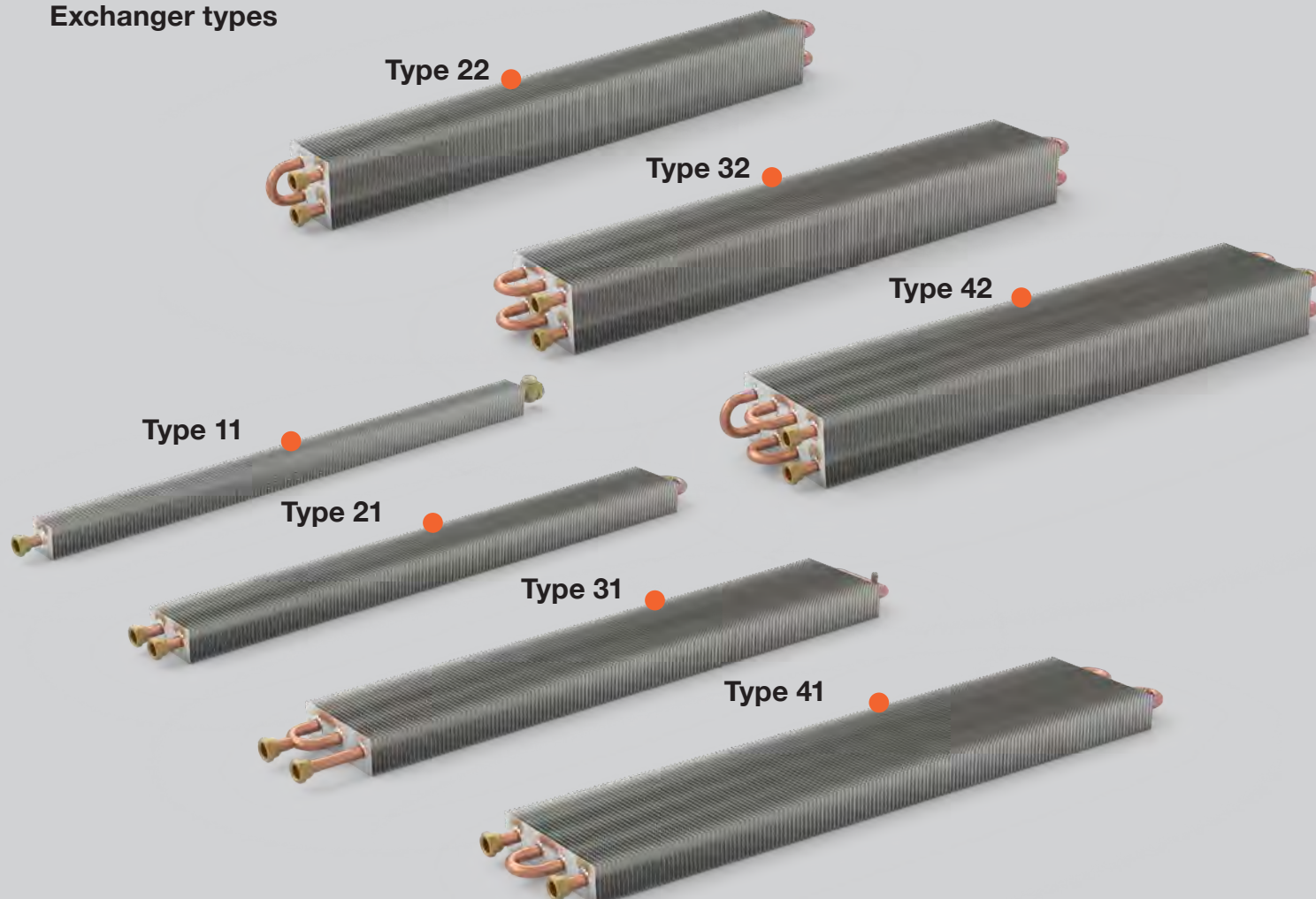
### Optional accessories

- wall and floor brackets for mounting heat exchanger (see page 12)

### KORABASE Economic

Natura Alu/Cu exchanger.

## Exchanger types





# LICON KORABASE ELEMENTS | 2023

CODE	DESCRIPTION	OUTPUT WATTS 75 65 20°C	OUTPUT WATTS 55 45 20°C	LIST PRICE
------	-------------	----------------------------	----------------------------	------------

## KORABASE HEATING ELEMENTS | ECONOMIC | BP 11

LBVE-080-11-0-00	TYPE 11 x 0800mm	222	112	\$ 245.00
LBVE-100-11-0-00	TYPE 11 x 1000mm	285	143	\$ 280.00
LBVE-120-11-0-00	TYPE 11 x 1200mm	348	175	\$ 310.00
LBVE-140-11-0-00	TYPE 11 x 1400mm	411	207	\$ 340.00
LBVE-160-11-0-00	TYPE 11 x 1600mm	475	239	\$ 375.00
LBVE-180-11-0-00	TYPE 11 x 1800mm	538	271	\$ 405.00
LBVE-200-11-0-00	TYPE 11 x 2000mm	601	302	\$ 435.00
LBVE-220-11-0-00	TYPE 11 x 2200mm	664	334	\$ 465.00
LBVE-240-11-0-00	TYPE 11 x 2400mm	727	366	\$ 495.00
LBVE-260-11-0-00	TYPE 11 x 2600mm	791	398	\$ 525.00
LBVE-280-11-0-00	TYPE 11 x 2800mm	853	429	\$ 555.00
LBVE-300-11-0-00	TYPE 11 x 3000mm	917	461	\$ 590.00

\* E = ECONOMIC (UNPAINTED) | \* WIDTH: 50mm x HEIGHT: 50mm | \* V = REVERSIBLE

## KORABASE HEATING ELEMENTS | EXCLUSIVE | BP 11

LBVX-080-11-0-00	TYPE 11 x 0800mm	222	112	\$ 280.00
LBVX-100-11-0-00	TYPE 11 x 1000mm	285	143	\$ 320.00
LBVX-120-11-0-00	TYPE 11 x 1200mm	348	175	\$ 360.00
LBVX-140-11-0-00	TYPE 11 x 1400mm	411	207	\$ 395.00
LBVX-160-11-0-00	TYPE 11 x 1600mm	475	239	\$ 440.00
LBVX-180-11-0-00	TYPE 11 x 1800mm	538	271	\$ 480.00
LBVX-200-11-0-00	TYPE 11 x 2000mm	601	302	\$ 510.00
LBVX-220-11-0-00	TYPE 11 x 2200mm	664	334	\$ 550.00
LBVX-240-11-0-00	TYPE 11 x 2400mm	727	366	\$ 590.00
LBVX-260-11-0-00	TYPE 11 x 2600mm	791	398	\$ 625.00
LBVX-280-11-0-00	TYPE 11 x 2800mm	853	429	\$ 665.00
LBVX-300-11-0-00	TYPE 11 x 3000mm	917	461	\$ 700.00

\* X = EXCLUSIVE (PAINTED BLACK) | \* WIDTH: 50mm x HEIGHT: 50mm | \* V = REVERSIBLE

\* TYPE 11 ELEMENTS NOT A STOCKED ITEM | \* 10-12 WEEK FROM ORDER DATE

\* ALL PRICING IS EXCLUDING GST



# LICON KORABASE ELEMENTS | 2023

CODE	DESCRIPTION	OUTPUT WATTS 75 65 20°C	OUTPUT WATTS 55 45 20°C	LIST PRICE
------	-------------	----------------------------	----------------------------	------------

## KORABASE HEATING ELEMENTS | ECONOMIC | BP 21

LBVE-080-21-0-00	TYPE 21 x 0800mm	476	244	\$ 335.00
LBVE-100-21-0-00	TYPE 21 x 1000mm	613	313	\$ 385.00
LBVE-120-21-0-00	TYPE 21 x 1200mm	746	382	\$ 440.00
LBVE-140-21-0-00	TYPE 21 x 1400mm	883	451	\$ 495.00
LBVE-160-21-0-00	TYPE 21 x 1600mm	1019	521	\$ 545.00
LBVE-180-21-0-00	TYPE 21 x 1800mm	1154	589	\$ 600.00
LBVE-200-21-0-00	TYPE 21 x 2000mm	1289	658	\$ 650.00
LBVE-220-21-0-00	TYPE 21 x 2200mm	1424	727	\$ 705.00
LBVE-240-21-0-00	TYPE 21 x 2400mm	1559	796	\$ 755.00
LBVE-260-21-0-00	TYPE 21 x 2600mm	1695	865	\$ 810.00
LBVE-280-21-0-00	TYPE 21 x 2800mm	1831	934	\$ 860.00
LBVE-300-21-0-00	TYPE 21 x 3000mm	1965	1003	\$ 915.00

\* E = ECONOMIC (UNPAINTED) | \* WIDTH: 100mm x HEIGHT: 50mm | \* V = REVERSIBLE

## KORABASE HEATING ELEMENTS | EXCLUSIVE | BP 21

LBVX-080-21-0-00	TYPE 21 x 0800mm	476	244	\$ 385.00
LBVX-100-21-0-00	TYPE 21 x 1000mm	613	313	\$ 450.00
LBVX-120-21-0-00	TYPE 21 x 1200mm	746	382	\$ 515.00
LBVX-140-21-0-00	TYPE 21 x 1400mm	883	451	\$ 580.00
LBVX-160-21-0-00	TYPE 21 x 1600mm	1019	521	\$ 645.00
LBVX-180-21-0-00	TYPE 21 x 1800mm	1154	589	\$ 710.00
LBVX-200-21-0-00	TYPE 21 x 2000mm	1289	658	\$ 770.00
LBVX-220-21-0-00	TYPE 21 x 2200mm	1424	727	\$ 835.00
LBVX-240-21-0-00	TYPE 21 x 2400mm	1559	796	\$ 895.00
LBVX-260-21-0-00	TYPE 21 x 2600mm	1695	865	\$ 960.00
LBVX-280-21-0-00	TYPE 21 x 2800mm	1831	934	\$ 1,025.00
LBVX-300-21-0-00	TYPE 21 x 3000mm	1965	1003	\$ 1,090.00

\* X = EXCLUSIVE (PAINTED BLACK) | \* WIDTH: 100mm x HEIGHT: 50mm | \* V = REVERSIBLE

\* TYPE 21 ELEMENTS NOT A STOCKED ITEM | \* 10-12 WEEK FROM ORDER DATE

\* ALL PRICING IS EXCLUDING GST





# LICON KORABASE ELEMENTS | 2023

CODE	DESCRIPTION	OUTPUT WATTS 75 65 20°C	OUTPUT WATTS 55 45 20°C	LIST PRICE
------	-------------	----------------------------	----------------------------	------------

## KORABASE HEATING ELEMENTS | ECONOMIC | BP 22

LBVE-080-22-0-00	TYPE 22 x 0800mm	622	302	\$ 550.00
LBVE-100-22-0-00	TYPE 22 x 1000mm	801	388	\$ 645.00
LBVE-120-22-0-00	TYPE 22 x 1200mm	979	475	\$ 740.00
LBVE-140-22-0-00	TYPE 22 x 1400mm	1158	562	\$ 840.00
LBVE-160-22-0-00	TYPE 22 x 1600mm	1337	649	\$ 935.00
LBVE-180-22-0-00	TYPE 22 x 1800mm	1516	736	\$ 1,030.00
LBVE-200-22-0-00	TYPE 22 x 2000mm	1695	823	\$ 1,130.00
LBVE-220-22-0-00	TYPE 22 x 2200mm	1874	909	\$ 1,220.00
LBVE-240-22-0-00	TYPE 22 x 2400mm	2052	996	\$ 1,320.00
LBVE-260-22-0-00	TYPE 22 x 2600mm	2231	1083	\$ 1,415.00
LBVE-280-22-0-00	TYPE 22 x 2800mm	2411	1171	\$ 1,510.00
LBVE-300-22-0-00	TYPE 22 x 3000mm	2589	1257	\$ 1,605.00

\* E = ECONOMIC (UNPAINTED) | \* WIDTH: 100mm x HEIGHT: 100mm | \* V = REVERSIBLE

## KORABASE HEATING ELEMENTS | EXCLUSIVE | BP 22

LBVX-080-22-0-00	TYPE 22 x 0800mm	622	302	\$ 630.00
LBVX-100-22-0-00	TYPE 22 x 1000mm	801	388	\$ 750.00
LBVX-120-22-0-00	TYPE 22 x 1200mm	979	475	\$ 865.00
LBVX-140-22-0-00	TYPE 22 x 1400mm	1158	562	\$ 980.00
LBVX-160-22-0-00	TYPE 22 x 1600mm	1337	649	\$ 1,095.00
LBVX-180-22-0-00	TYPE 22 x 1800mm	1516	736	\$ 1,210.00
LBVX-200-22-0-00	TYPE 22 x 2000mm	1695	823	\$ 1,325.00
LBVX-220-22-0-00	TYPE 22 x 2200mm	1874	909	\$ 1,435.00
LBVX-240-22-0-00	TYPE 22 x 2400mm	2052	996	\$ 1,550.00
LBVX-260-22-0-00	TYPE 22 x 2600mm	2231	1083	\$ 1,665.00
LBVX-280-22-0-00	TYPE 22 x 2800mm	2411	1171	\$ 1,790.00
LBVX-300-22-0-00	TYPE 22 x 3000mm	2589	1257	\$ 1,900.00

\* X = EXCLUSIVE (PAINTED BLACK) | \* WIDTH: 100mm x HEIGHT: 100mm | \* V = REVERSIBLE

\* TYPE 22 'X' = EXCLUSIVE ELEMENTS ARE A STOCKED ITEM

\* TYPE 22 'E' = ECONOMIC ELEMENTS NOT A STOCKED ITEM | \* 10-12 WEEK FROM ORDER DATE

\* ALL PRICING IS EXCLUDING GST





# LICON KORABASE ELEMENTS | 2023

CODE	DESCRIPTION	OUTPUT WATTS 75 65 20°C	OUTPUT WATTS 55 45 20°C	LIST PRICE
------	-------------	----------------------------	----------------------------	------------

## KORABASE HEATING ELEMENTS | ECONOMIC | BP 32

LBVE-080-32-0-00	TYPE 32 x 0800mm	969	468	\$ 765.00
LBVE-100-32-0-00	TYPE 32 x 1000mm	1248	602	\$ 905.00
LBVE-120-32-0-00	TYPE 32 x 1200mm	1526	737	\$ 1,045.00
LBVE-140-32-0-00	TYPE 32 x 1400mm	1805	871	\$ 1,185.00
LBVE-160-32-0-00	TYPE 32 x 1600mm	2084	1006	\$ 1,325.00
LBVE-180-32-0-00	TYPE 32 x 1800mm	2363	1141	\$ 1,465.00
LBVE-200-32-0-00	TYPE 32 x 2000mm	2641	1275	\$ 1,600.00
LBVE-220-32-0-00	TYPE 32 x 2200mm	2921	1409	\$ 1,740.00
LBVE-240-32-0-00	TYPE 32 x 2400mm	3199	1544	\$ 1,880.00
LBVE-260-32-0-00	TYPE 32 x 2600mm	3476	1678	\$ 2,020.00
LBVE-280-32-0-00	TYPE 32 x 2800mm	3757	1813	\$ 2,160.00
LBVE-300-32-0-00	TYPE 32 x 3000mm	4035	1948	\$ 2,280.00

\* E = ECONOMIC (UNPAINTED) | \* WIDTH: 150mm x HEIGHT: 100mm | \* V = REVERSIBLE

## KORABASE HEATING ELEMENTS | EXCLUSIVE | BP 32

LBVX-080-32-0-00	TYPE 32 x 0800mm	969	468	\$ 870.00
LBVX-100-32-0-00	TYPE 32 x 1000mm	1248	602	\$ 1,035.00
LBVX-120-32-0-00	TYPE 32 x 1200mm	1526	737	\$ 1,195.00
LBVX-140-32-0-00	TYPE 32 x 1400mm	1805	871	\$ 1,360.00
LBVX-160-32-0-00	TYPE 32 x 1600mm	2084	1006	\$ 1,525.00
LBVX-180-32-0-00	TYPE 32 x 1800mm	2363	1141	\$ 1,695.00
LBVX-200-32-0-00	TYPE 32 x 2000mm	2641	1275	\$ 1,845.00
LBVX-220-32-0-00	TYPE 32 x 2200mm	2921	1409	\$ 2,005.00
LBVX-240-32-0-00	TYPE 32 x 2400mm	3199	1544	\$ 2,170.00
LBVX-260-32-0-00	TYPE 32 x 2600mm	3476	1678	\$ 2,335.00
LBVX-280-32-0-00	TYPE 32 x 2800mm	3757	1813	\$ 2,505.00
LBVX-300-32-0-00	TYPE 32 x 3000mm	4035	1948	\$ 2,670.00

\* X = EXCLUSIVE (PAINTED BLACK) | \* WIDTH: 150mm x HEIGHT: 100mm | \* V = REVERSIBLE

\* TYPE 32 'X' = EXCLUSIVE ELEMENTS ARE A STOCKED ITEM

\* TYPE 32 'E' = ECONOMIC ELEMENTS NOT A STOCKED ITEM | \* 10-12 WEEK FROM ORDER DATE

\* ALL PRICING IS EXCLUDING GST



# LICON KORABASE ELEMENTS | 2023

CODE	DESCRIPTION	OUTPUT WATTS 75 65 20°C	OUTPUT WATTS 55 45 20°C	LIST PRICE
------	-------------	----------------------------	----------------------------	------------

## KORABASE HEATING ELEMENTS | ECONOMIC | BP 42

LBVE-080-42-0-00	TYPE 42 x 0800mm	1314	638	\$ 980.00
LBVE-100-42-0-00	TYPE 42 x 1000mm	1692	822	\$ 1,165.00
LBVE-120-42-0-00	TYPE 42 x 1200mm	2070	1005	\$ 1,345.00
LBVE-140-42-0-00	TYPE 42 x 1400mm	2448	1189	\$ 1,530.00
LBVE-160-42-0-00	TYPE 42 x 1600mm	2826	1373	\$ 1,710.00
LBVE-180-42-0-00	TYPE 42 x 1800mm	3204	1558	\$ 1,895.00
LBVE-200-42-0-00	TYPE 42 x 2000mm	3582	1741	\$ 2,075.00
LBVE-220-42-0-00	TYPE 42 x 2200mm	3961	1924	\$ 2,260.00
LBVE-240-42-0-00	TYPE 42 x 2400mm	4339	2107	\$ 2,445.00
LBVE-260-42-0-00	TYPE 42 x 2600mm	4717	2291	\$ 2,625.00
LBVE-280-42-0-00	TYPE 42 x 2800mm	5095	2475	\$ 2,810.00
LBVE-300-42-0-00	TYPE 42 x 3000mm	5473	2658	\$ 2,995.00

\* E = ECONOMIC (UNPAINTED) | \* WIDTH: 200mm x HEIGHT: 100mm | \* V = REVERSIBLE

## KORABASE HEATING ELEMENTS | EXCLUSIVE | BP 42

LBVX-080-42-0-00	TYPE 42 x 0800mm	1314	638	\$ 1,110.00
LBVX-100-42-0-00	TYPE 42 x 1000mm	1692	822	\$ 1,325.00
LBVX-120-42-0-00	TYPE 42 x 1200mm	2070	1005	\$ 1,535.00
LBVX-140-42-0-00	TYPE 42 x 1400mm	2448	1189	\$ 1,750.00
LBVX-160-42-0-00	TYPE 42 x 1600mm	2826	1373	\$ 1,965.00
LBVX-180-42-0-00	TYPE 42 x 1800mm	3204	1558	\$ 2,180.00
LBVX-200-42-0-00	TYPE 42 x 2000mm	3582	1741	\$ 2,385.00
LBVX-220-42-0-00	TYPE 42 x 2200mm	3961	1924	\$ 2,590.00
LBVX-240-42-0-00	TYPE 42 x 2400mm	4339	2107	\$ 2,800.00
LBVX-260-42-0-00	TYPE 42 x 2600mm	4717	2291	\$ 3,020.00
LBVX-280-42-0-00	TYPE 42 x 2800mm	5095	2475	\$ 3,245.00
LBVX-300-42-0-00	TYPE 42 x 3000mm	5473	2658	\$ 3,460.00

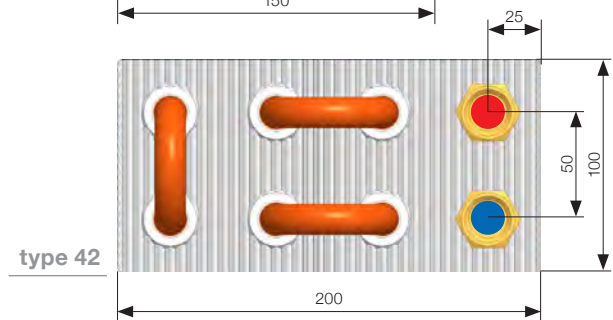
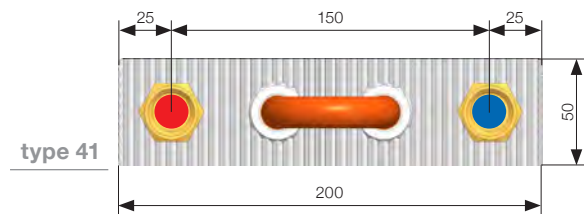
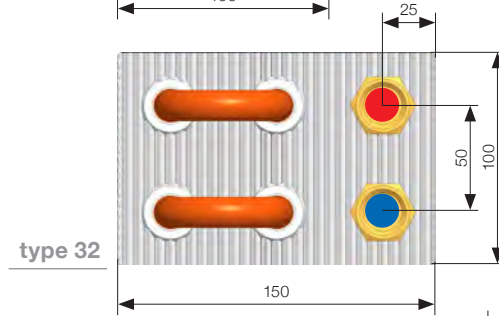
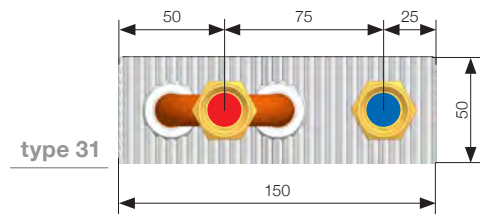
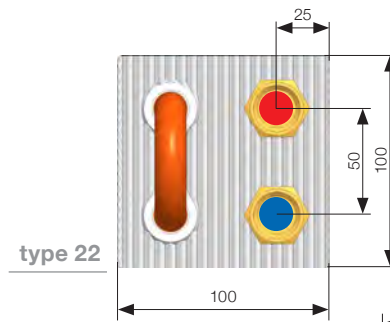
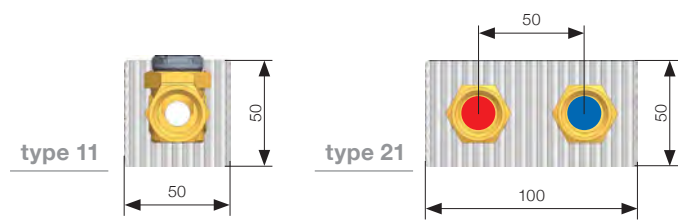
\* X = EXCLUSIVE (PAINTED BLACK) | \* WIDTH: 200mm x HEIGHT: 100mm | \* V = REVERSIBLE

\* LIMITED TYPE 42 'X' = EXCLUSIVE ELEMENTS ARE STOCKED

\* TYPE 42 'E' = ECONOMIC ELEMENTS NOT A STOCKED ITEM | \* 10-12 WEEK FROM ORDER DATE

\* ALL PRICING IS EXCLUDING GST

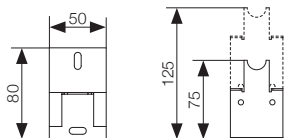
# OVERVIEW OF TYPES



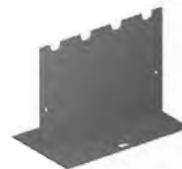
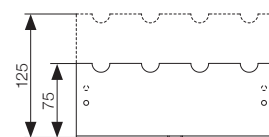
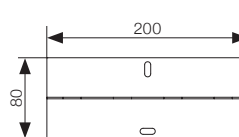
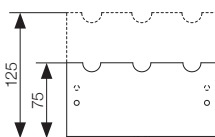
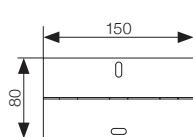
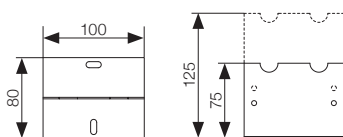
# LIST OF BRACKETS

## Floor brackets

- optional accessories
- as for the length of 1 800 mm and longer you have to order at least 3 pcs of stand brackets
- as a standard delivered black painted



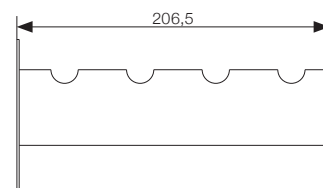
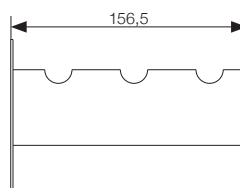
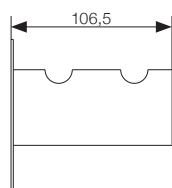
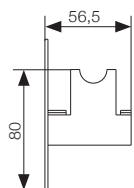
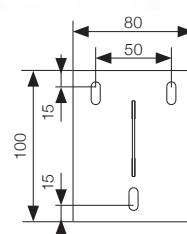
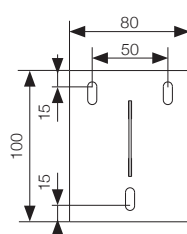
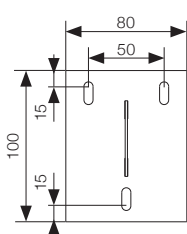
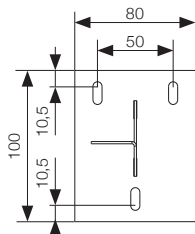
Height of the floor bracket	75	125	75	125
for type	11	11	21 and 22	21 and 22
purchase order code	BVS-1-7	BVS-1-12	BVS-2-7	BVS-2-12



Height of the floor bracket	75	125	75	125
for type	31 and 32	31 and 32	41 and 42	41 and 42
purchase order code	BVS-3-7	BVS-3-12	BVS-4-7	BVS-4-12

## Wall brackets

- optional accessories
- as for the length of 1 800 mm and you have to order at least 3 pcs of wall brackets
- as a standard delivered in RAL 9016



for type	11	21 and 22	31 and 32	41 and 42
purchase order code	BVK-1	BVK-2	BVK-3	BVK-4

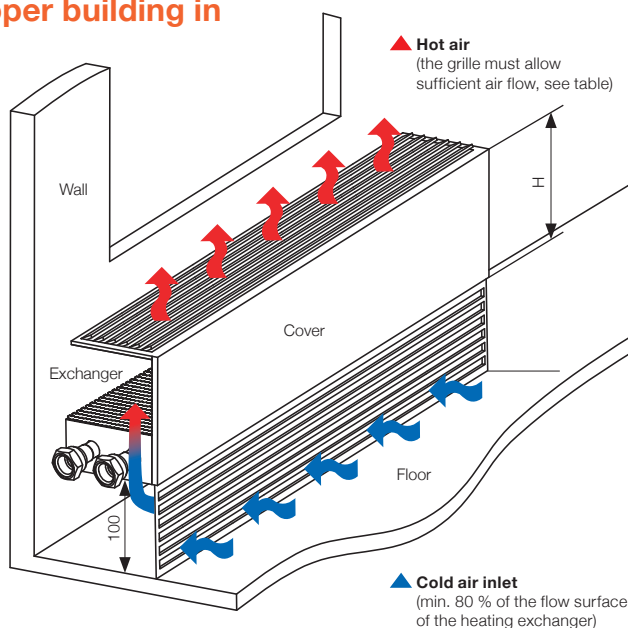
Dimensions are specified in mm.

# ASSEMBLY

## Installation instructions

For the proper operation and maximum output of the heat exchanger it is necessary to build a convector box sufficiently tight with the sufficiently permeable expiratory grill and the grill for the air inlet. The inlet grille size should make at least 80% of the flow surface of the heat exchanger.

## Proper building in



We recommend mounting the exchanger on floor or wall brackets 10 cm above the final floor. For this purpose we offer 2 types of brackets. These may be in the floor execution (floor brackets) in heights of 7,5 and 12,5 cm or to be hung on the wall (wall brackets). The exchanger width determines the length of brackets (56,5 – 206,5 mm). Brackets are not a part of a standard delivery.

The heat output output of the exchanger depends on several main conditions: effective cover height, tightness of this cover (box), heated air input and flow area of the expiratory grille (see image). Generally, the higher the cover the higher heat output. The convector box and adjacent building structures must be resistant to the temperature created by the heat exchanger.

## ± kH correction factor for the different H box height

Correction factor	$t_1/t_2/t_1$	Box height H [mm]								
		200	250	300	350	400	450	500	550	600
kH	75/65/20	1,000	1,059	1,116	1,171	1,224	1,278	1,331	1,384	1,438

The box height H [mm] is measured from the lower edge of exchanger lamellas. Example: Conversion of the exchanger heat output Korabase 31, length 180 mm to the output in the box and height of 0,45 m.  $Q = 1\,672 \times 1,278 = 2\,137\text{ W}$

## Air outlet cover grille correction factor

% of the air inlet surface	> 75	60	50	40	30
correction factor	1,00	0,95	0,90	0,85	0,60

The air inlet surface is the flow area of the exchanger (width x length of the heating body) minus the area of the expiratory grille (all rates are given in %). The output of the respective convector is multiplied by the correction factor. Outputs of heat exchangers are measured including the expiratory grille, there fore it is not necessary to convert them further.

# DATA FOR PURCHASE ORDER

KORABASE heat exchanger	Method of connection	Design	Length [cm]	Type	Surface finish
B	V = reversible P = continuous	E = Economic X = Exclusive	-	..	-0-
			...		00 39

### Code example BVE-180-42-0-00

Economic heat exchanger, reversible, type 42 (4 horizontal and 2 vertical lines), length 1 800 mm, natural Alu/Cu colour.

### Code example BPX-100-21-0-39

Exclusive heat exchanger, continuous, type 21 (2 horizontal and 1 vertical rows), length 1 000 mm, black painted.

# KORAFLEX Optimal FKO

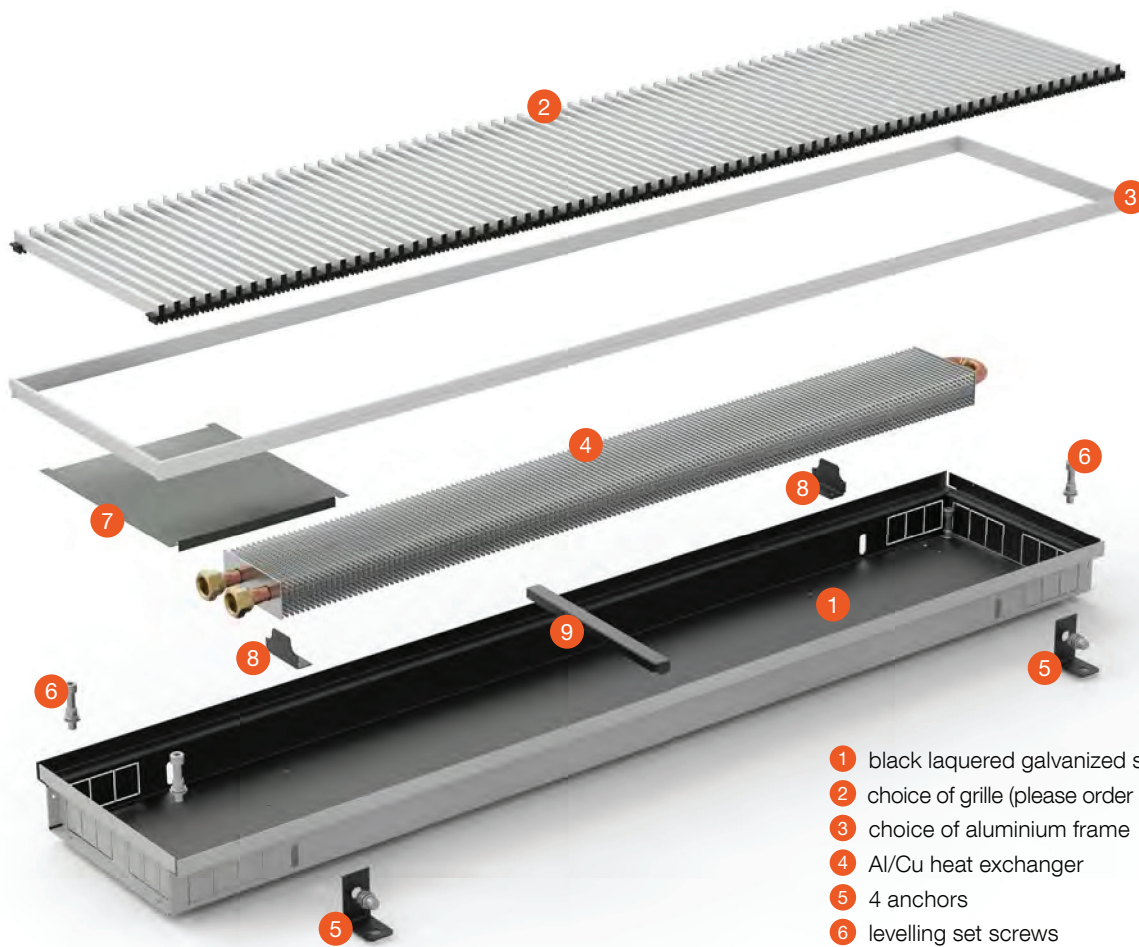
---

Trench heaters with natural convection  
in a broad range of dimensions and special designs





# TRENCH HEATER COMPONENTS

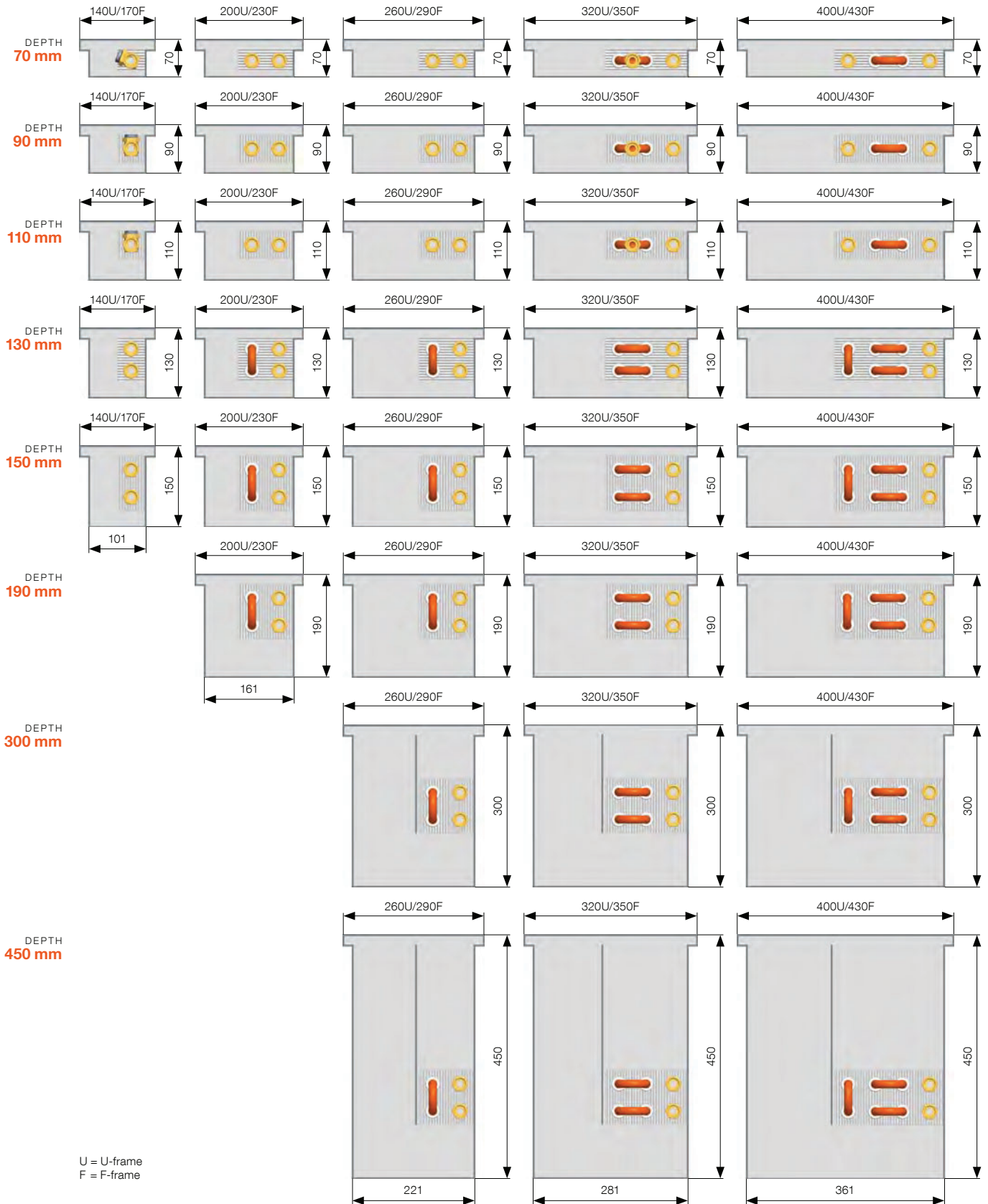


- 1 black laquered galvanized steel casing
- 2 choice of grille (please order separately)
- 3 choice of aluminium frame
- 4 Al/Cu heat exchanger
- 5 4 anchors
- 6 levelling set screws
- 7 metal cover plate
- 8 brackets
- 9 spacers for correct installation and concreting



KORAFLEX fitted with roll-up beech wood grille,  
U-frame, silver elox

# PRODUCT RANGE



Width of trench heaters fitted with a Cross frame are identical to trench heaters fitted with an U-frame.

Measurements shown in mm.  
Alterations to technical specifications reserved.



# KORAFLEX Optimal FKO

## Specifications

<b>Depth</b>	<b>70, 90, 110, 130, 190, 300, 450 mm</b>
<b>Width</b>	140, 200, 260, 320, 400 mm
<b>Length</b>	800 to 3 000 mm (by 100mm)
<b>Heat output</b>	from 41 to 3 480 W
<b>Max. operating pressure</b>	1.2 MPa
<b>Max. operating temperature</b>	110 °C
<b>Connecting thread</b>	inner G ½"

**ECONOMIC version** – basic version, black lacquered galvanized steel casing, non-lacquered heat exchanger

**EXCLUSIVE version** – black lacquered galvanized steel casing, RAL 9005 black lacquered heat exchanger

**KORAFLEX Optimal FKO** represents the widest range of trench heater models. The black lacquered galvanized steel casing comes with optional decorative U-, F- or Cross frames, and a wide choice of grilles.



## Standard contents

- RAL 9005 black lacquered galvanized steel casing
- Economic – non-lacquered Al/Cu heat exchanger with bleed valve
- Exclusive – RAL 9005 black lacquered Al/Cu heat exchanger with bleed valve
- aluminium U-frame silver elox
- metal cover plate
- levelling set screws and 4 anchors
- spacers for correct installation and concreting
- hardboard cover to protect trench heater from contamination
- durable packaging, installation instructions

## Optional accessories

- choice of grilles
- Cross grille – design solutions – necessary to order together with trench heater – for more information, see p.125
- light/dark bronze elox or RAL colour chart lacquered aluminium U-frame
- silver, light/dark bronze elox or RAL colour chart lacquered aluminium F-frame
- thermostatic head with incorporated control and immersion remote sensor
- 24V DC power supply
- 24V DC or 230V AC room thermostat for regulation
- 24V DC or 230V AC thermoelectric actuator, 2.5m or 5m cable length
- raised floor structural supports
- lockshield, thermostatic valve
- ½" x ½" 90° brass elbow for connection facilitation
- 10, 12 or 30cm flexible stainless steel hose
- strengthened OSB cover for installation purposes

*For more information about optional accessories and order codes, see p. 50*

## Suitable grilles



*For a summary and description of grilles available, including order codes, see p. 120–127.*



# LICON TRENCH HEATERS | KORAFLEX OPTIMAL FKO | 2023 | DEPTH 70mm

PRODUCT CODE	VERSION	DEPTH	WIDTH	LENGTH (mm)																						
				800	900	1000	1100	1200	1300	1400	1500	1600	1700	1800	1900	2000	2100	2200	2300	2400	2500	2600	2700	2800	2900	3000
LFKO-***07/14-P1U1PO	ECONOMIC	70mm	140mm	\$ 490.00	\$ 520.00	\$ 555.00	\$ 585.00	\$ 615.00	\$ 645.00	\$ 695.00	\$ 725.00	\$ 760.00	\$ 790.00	\$ 820.00	\$ 855.00	\$ 885.00	\$ 915.00	\$ 950.00	\$ 980.00	\$ 1,015.00	\$ 1,050.00	\$ 1,080.00	\$ 1,110.00	\$ 1,145.00	\$ 1,175.00	\$ 1,220.00
LFKO-***07/14-P5U1PO	EXCLUSIVE	70mm	140mm	\$ 500.00	\$ 535.00	\$ 570.00	\$ 605.00	\$ 635.00	\$ 675.00	\$ 720.00	\$ 755.00	\$ 795.00	\$ 830.00	\$ 865.00	\$ 895.00	\$ 935.00	\$ 965.00	\$ 1,000.00	\$ 1,035.00	\$ 1,075.00	\$ 1,110.00	\$ 1,145.00	\$ 1,175.00	\$ 1,210.00	\$ 1,245.00	\$ 1,295.00
			HEAT OUTPUT 75/65/20°C   WATTS	41	51	61	71	81	91	101	111	120	130	140	150	160	170	180	190	200	209	219	229	239	249	259
			HEAT OUTPUT 55/45/20°C   WATTS	20	24	29	34	38	43	48	52	57	62	65	71	76	81	85	90	95	99	104	109	113	118	123

PRODUCT CODE	VERSION	DEPTH	WIDTH	LENGTH (mm)																						
				800	900	1000	1100	1200	1300	1400	1500	1600	1700	1800	1900	2000	2100	2200	2300	2400	2500	2600	2700	2800	2900	3000
LFKO-***07/20-V1U1PO	ECONOMIC	70mm	200mm	\$ 555.00	\$ 600.00	\$ 640.00	\$ 685.00	\$ 730.00	\$ 770.00	\$ 825.00	\$ 870.00	\$ 915.00	\$ 955.00	\$ 1,000.00	\$ 1,045.00	\$ 1,085.00	\$ 1,130.00	\$ 1,170.00	\$ 1,210.00	\$ 1,260.00	\$ 1,305.00	\$ 1,345.00	\$ 1,390.00	\$ 1,430.00	\$ 1,470.00	\$ 1,530.00
LFKO-***07/20-V5U1PO	EXCLUSIVE	70mm	200mm	\$ 585.00	\$ 630.00	\$ 680.00	\$ 730.00	\$ 775.00	\$ 820.00	\$ 885.00	\$ 935.00	\$ 985.00	\$ 1,035.00	\$ 1,080.00	\$ 1,130.00	\$ 1,175.00	\$ 1,225.00	\$ 1,275.00	\$ 1,320.00	\$ 1,375.00	\$ 1,420.00	\$ 1,470.00	\$ 1,520.00	\$ 1,565.00	\$ 1,610.00	\$ 1,675.00
			HEAT OUTPUT 75/65/20°C   WATTS	76	91	105	120	135	150	165	180	195	209	224	239	254	269	284	299	313	328	343	358	373	388	403
			HEAT OUTPUT 55/45/20°C   WATTS	36	43	50	57	64	71	78	85	92	99	106	113	120	127	134	141	148	156	163	170	177	184	191

PRODUCT CODE	VERSION	DEPTH	WIDTH	LENGTH (mm)																						
				800	900	1000	1100	1200	1300	1400	1500	1600	1700	1800	1900	2000	2100	2200	2300	2400	2500	2600	2700	2800	2900	3000
LFKO-***07/26-V1U1PO	ECONOMIC	70mm	260mm	\$ 575.00	\$ 620.00	\$ 660.00	\$ 705.00	\$ 750.00	\$ 790.00	\$ 850.00	\$ 890.00	\$ 935.00	\$ 980.00	\$ 1,020.00	\$ 1,065.00	\$ 1,110.00	#####	#####	#####	#####	#####	#####	#####	#####	#####	#####
LFKO-***07/26-V5U1PO	EXCLUSIVE	70mm	260mm	\$ 600.00	\$ 650.00	\$ 700.00	\$ 750.00	\$ 795.00	\$ 845.00	\$ 905.00	\$ 955.00	\$ 1,010.00	\$ 1,055.00	\$ 1,100.00	\$ 1,150.00	\$ 1,200.00	\$ 1,250.00	\$ 1,295.00	\$ 1,345.00	\$ 1,400.00	\$ 1,445.00	\$ 1,495.00	\$ 1,545.00	\$ 1,595.00	\$ 1,640.00	\$ 1,705.00
			HEAT OUTPUT 75/65/20°C   WATTS	90	108	3	144	161	179	197	214	232	250	268	285	303	321	338	356	374	392	409	427	445	462	480
			HEAT OUTPUT 55/45/20°C   WATTS	40	47	55	63	71	78	86	94	102	109	117	125	133	140	148	156	164	171	179	187	195	202	210

PRODUCT CODE	VERSION	DEPTH	WIDTH	LENGTH (mm)																						
				800	900	1000	1100	1200	1300	1400	1500	1600	1700	1800	1900	2000	2100	2200	2300	2400	2500	2600	2700	2800	2900	3000
LFKO-***07/32-V1U1PO	ECONOMIC	70mm	320mm	\$ 785.00	\$ 840.00	\$ 895.00	\$ 945.00	\$ 1,000.00	\$ 1,055.00	\$ 1,120.00	\$ 1,175.00	\$ 1,230.00	\$ 1,285.00	\$ 1,340.00	\$ 1,395.00	\$ 1,445.00	\$ 1,500.00	\$ 1,555.00	\$ 1,610.00	\$ 1,665.00	\$ 1,720.00	\$ 1,780.00	\$ 1,830.00	\$ 1,885.00	\$ 1,935.00	\$ 2,005.00
LFKO-***07/32-V5U1PO	EXCLUSIVE	70mm	320mm	\$ 825.00	\$ 885.00	\$ 945.00	\$ 1,010.00	\$ 1,070.00	\$ 1,130.00	\$ 1,205.00	\$ 1,265.00	\$ 1,330.00	\$ 1,390.00	\$ 1,455.00	\$ 1,515.00	\$ 1,575.00	\$ 1,635.00	\$ 1,695.00	\$ 1,760.00	\$ 1,825.00	\$ 1,885.00	\$ 1,950.00	\$ 2,010.00	\$ 2,070.00	\$ 2,130.00	\$ 2,205.00
			HEAT OUTPUT 75/65/20°C   WATTS	103	124	146	168	190	212	233	255	277	299	320	342	364	386	408	429	451	473	495	516	538	560	582
			HEAT OUTPUT 55/45/20°C   WATTS	46	56	66	76	86	95	105	115	125	135	145	154	164	174	184	194	204	213	223	233	246	253	263

PRODUCT CODE	VERSION	DEPTH	WIDTH	LENGTH (mm)																						
				800	900	1000	1100	1200	1300	1400	1500	1600	1700	1800	1900	2000	2100	2200	2300	2400	2500	2600	2700	2800	2900	3000
LFKO-***07/40-V1U1PO	ECONOMIC	70mm	400mm	\$ 870.00	\$ 945.00	\$ 1,015.00	\$ 1,090.00	\$ 1,160.00	\$ 1,230.00	\$ 1,320.00	\$ 1,390.00	\$ 1,465.00	\$ 1,540.00	\$ 1,610.00	\$ 1,685.00	\$ 1,760.00	\$ 1,830.00	\$ 1,900.00	\$ 1,975.00	\$ 2,055.00	\$ 2,130.00	\$ 2,200.00	\$ 2,270.00	\$ 2,345.00	\$ 2,420.00	\$ 2,505.00
LFKO-***07/40-V5U1PO	EXCLUSIVE	70mm	400mm	\$ 925.00	\$ 1,010.00	\$ 1,090.00	\$ 1,175.00	\$ 1,260.00	\$ 1,340.00	\$ 1,440.00	\$ 1,520.00	\$ 1,610.00	\$ 1,690.00	\$ 1,775.00	\$ 1,860.00	\$ 1,940.00	\$ 2,025.00	\$ 2,105.00	\$ 2,190.00	\$ 2,280.00	\$ 2,365.00	\$ 2,450.00	\$ 2,530.00	\$ 2,615.00	\$ 2,700.00	\$ 2,795.00
			HEAT OUTPUT 75/65/20°C   WATTS	131	157	183	208	234	260	286	311	337	363	389	414	440	466	491	517	543	569	594	620	646	672	697
			HEAT OUTPUT 55/45/20°C   WATTS	60	72	84	96	108	119	131	143	155	167	178	190	202	214	226	238	249	261	273	285	297	309	320

- \* ECONOMIC | Non Laquered Al/CU heat exchanger with bleed valve
- \* EXCLUSIVE | RAL 9005 BLACK Laquered Al/CU heat exchanger with bleed valve
- \* RAL 9005 Black Laquered galvanised steel case | \* Aluminium U-Frame Silver Elox | \* Metal Cover Plate
- \* Levelling set screws and 4 anchors | \* Spacers for correct installation when setting in concrete | \* Hardboard cover to protect element
- \* Measurements shown in mm, where F-Frame is fitted both length and with are increased by 30mm

\* GRILLES ARE NOT INCLUDED IN TRENCH HEATER PRICING AND MUST BE ORDERED SEPERATELY

\* REFER TO ORDERING CODES ON PAGE

# KORAFLEX Optimal FKO

depth 70 mm



## Heat output [W] where $t_1/t_2/t_3$ / EN 16430

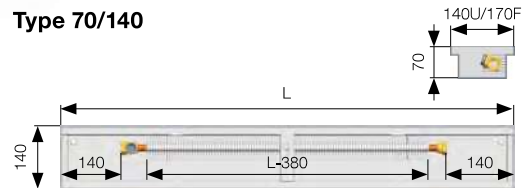
Measurements shown in mm including U-frame.

Length	$t_1/t_2/t_3$ [°C]	Width	Width	Width	Width	Width
		140	200	260	320	400
800	<b>75/65/20</b>	<b>41</b>	<b>76</b>	<b>90</b>	<b>103</b>	<b>131</b>
	55/45/20	20	36	40	46	60
900	<b>75/65/20</b>	<b>51</b>	<b>91</b>	<b>108</b>	<b>124</b>	<b>157</b>
	55/45/20	24	43	47	56	72
1 000	<b>75/65/20</b>	<b>61</b>	<b>105</b>	<b>126</b>	<b>146</b>	<b>183</b>
	55/45/20	29	50	55	66	84
1 100	<b>75/65/20</b>	<b>71</b>	<b>120</b>	<b>144</b>	<b>168</b>	<b>208</b>
	55/45/20	34	57	63	76	96
1 200	<b>75/65/20</b>	<b>81</b>	<b>135</b>	<b>161</b>	<b>190</b>	<b>234</b>
	55/45/20	38	64	71	86	108
1 300	<b>75/65/20</b>	<b>91</b>	<b>150</b>	<b>179</b>	<b>212</b>	<b>260</b>
	55/45/20	43	71	78	95	119
1 400	<b>75/65/20</b>	<b>101</b>	<b>165</b>	<b>197</b>	<b>233</b>	<b>286</b>
	55/45/20	48	78	86	105	131
1 500	<b>75/65/20</b>	<b>111</b>	<b>180</b>	<b>214</b>	<b>255</b>	<b>311</b>
	55/45/20	52	85	94	115	143
1 600	<b>75/65/20</b>	<b>120</b>	<b>195</b>	<b>232</b>	<b>277</b>	<b>337</b>
	55/45/20	57	92	102	125	155
1 700	<b>75/65/20</b>	<b>130</b>	<b>209</b>	<b>250</b>	<b>299</b>	<b>363</b>
	55/45/20	62	99	109	135	167
1 800	<b>75/65/20</b>	<b>140</b>	<b>224</b>	<b>268</b>	<b>320</b>	<b>389</b>
	55/45/20	66	106	117	145	178
1 900	<b>75/65/20</b>	<b>150</b>	<b>239</b>	<b>285</b>	<b>342</b>	<b>414</b>
	55/45/20	71	113	125	154	190
2 000	<b>75/65/20</b>	<b>160</b>	<b>254</b>	<b>303</b>	<b>364</b>	<b>440</b>
	55/45/20	76	120	133	164	202
2 100	<b>75/65/20</b>	<b>170</b>	<b>269</b>	<b>321</b>	<b>386</b>	<b>466</b>
	55/45/20	81	127	140	174	214
2 200	<b>75/65/20</b>	<b>180</b>	<b>284</b>	<b>338</b>	<b>408</b>	<b>491</b>
	55/45/20	85	134	148	184	226
2 300	<b>75/65/20</b>	<b>190</b>	<b>299</b>	<b>356</b>	<b>429</b>	<b>517</b>
	55/45/20	90	141	156	194	238
2 400	<b>75/65/20</b>	<b>200</b>	<b>313</b>	<b>374</b>	<b>451</b>	<b>543</b>
	55/45/20	95	148	164	204	249
2 500	<b>75/65/20</b>	<b>209</b>	<b>328</b>	<b>392</b>	<b>473</b>	<b>569</b>
	55/45/20	99	156	171	213	261
2 600	<b>75/65/20</b>	<b>219</b>	<b>343</b>	<b>409</b>	<b>495</b>	<b>594</b>
	55/45/20	104	163	179	223	273
2 700	<b>75/65/20</b>	<b>229</b>	<b>358</b>	<b>427</b>	<b>516</b>	<b>620</b>
	55/45/20	109	170	187	233	285
2 800	<b>75/65/20</b>	<b>239</b>	<b>373</b>	<b>445</b>	<b>538</b>	<b>646</b>
	55/45/20	113	177	195	243	297
2 900	<b>75/65/20</b>	<b>249</b>	<b>388</b>	<b>462</b>	<b>560</b>	<b>672</b>
	55/45/20	118	184	202	253	309
3 000	<b>75/65/20</b>	<b>259</b>	<b>403</b>	<b>480</b>	<b>582</b>	<b>697</b>
	55/45/20	123	191	210	263	320

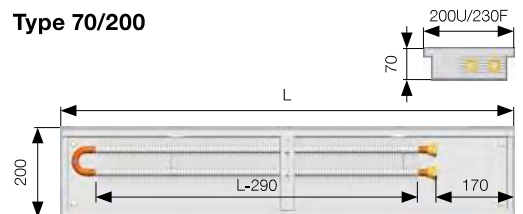
Temperature exponent [n] **1.4629 1.4587 1.6148 1.5550 1.5235**



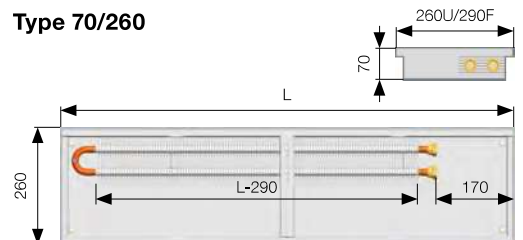
Type 70/140



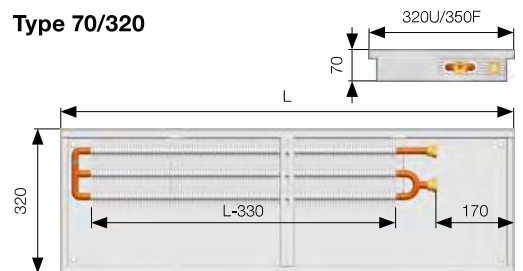
Type 70/200



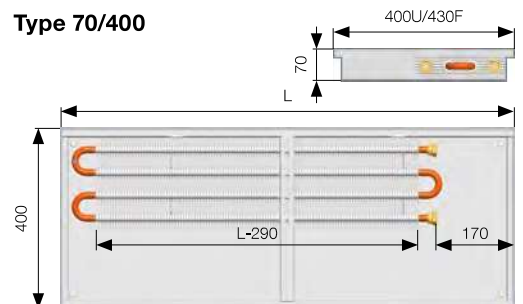
Type 70/260



Type 70/320



Type 70/400



Measurements shown in mm. Where the F-frame is fitted, both the length and width increase by 30mm.

### Further information

FK Mounting p. 47, Accessories p. 50, Connections and connection measurements p. 52, Technical data p. 54, Thermal gradient conversion p. 55, Convector pressure losses p. 56, Grilles and frames p. 120–127



# LICON TRENCH HEATERS | KORAFLEX OPTIMAL FKO | 2023 | DEPTH 90mm

PRODUCT CODE	VERSION	DEPTH	WIDTH	LENGTH (mm)																						
				800	900	1000	1100	1200	1300	1400	1500	1600	1700	1800	1900	2000	2100	2200	2300	2400	2500	2600	2700	2800	2900	3000
LFKO-*/09/14-P1U1P0	ECONOMIC	90mm	140mm	\$ 510.00	\$ 545.00	\$ 580.00	\$ 610.00	\$ 645.00	\$ 680.00	\$ 730.00	\$ 765.00	\$ 800.00	\$ 835.00	\$ 870.00	\$ 905.00	\$ 935.00	\$ 970.00	\$ 1,005.00	\$ 1,040.00	\$ 1,075.00	\$ 1,110.00	\$ 1,145.00	\$ 1,180.00	\$ 1,210.00	\$ 1,250.00	\$ 1,295.00
LFKO-*/09/14-P5U1P0	EXCLUSIVE	90mm	140mm	\$ 520.00	\$ 560.00	\$ 595.00	\$ 630.00	\$ 670.00	\$ 705.00	\$ 755.00	\$ 795.00	\$ 835.00	\$ 870.00	\$ 910.00	\$ 945.00	\$ 980.00	\$ 1,020.00	\$ 1,055.00	\$ 1,090.00	\$ 1,135.00	\$ 1,170.00	\$ 1,210.00	\$ 1,245.00	\$ 1,280.00	\$ 1,320.00	\$ 1,370.00
				HEAT OUTPUT 75/65/20°C   WATTS																						
				50	62	74	86	98	110	122	134	146	158	170	182	194	206	218	230	242	254	266	278	290	302	314
				HEAT OUTPUT 55/45/20°C   WATTS																						
				23	29	34	40	45	51	56	62	67	73	78	84	89	95	100	106	111	117	122	128	133	139	144

PRODUCT CODE	VERSION	DEPTH	WIDTH	LENGTH (mm)																						
				800	900	1000	1100	1200	1300	1400	1500	1600	1700	1800	1900	2000	2100	2200	2300	2400	2500	2600	2700	2800	2900	3000
LFKO-*/09/20-V1U1P0	ECONOMIC	90mm	200mm	\$ 570.00	\$ 620.00	\$ 685.00	\$ 705.00	\$ 750.00	\$ 795.00	\$ 855.00	\$ 900.00	\$ 945.00	\$ 990.00	\$ 1,035.00	\$ 1,080.00	\$ 1,125.00	\$ 1,170.00	\$ 1,215.00	\$ 1,260.00	\$ 1,310.00	\$ 1,350.00	\$ 1,400.00	\$ 1,445.00	\$ 1,485.00	\$ 1,530.00	\$ 1,595.00
LFKO-*/09/20-V5U1P0	EXCLUSIVE	90mm	200mm	\$ 600.00	\$ 650.00	\$ 700.00	\$ 750.00	\$ 800.00	\$ 850.00	\$ 915.00	\$ 965.00	\$ 1,015.00	\$ 1,065.00	\$ 1,120.00	\$ 1,165.00	\$ 1,215.00	\$ 1,270.00	\$ 1,315.00	\$ 1,365.00	\$ 1,420.00	\$ 1,470.00	\$ 1,520.00	\$ 1,575.00	\$ 1,620.00	\$ 1,675.00	\$ 1,735.00
				HEAT OUTPUT 75/65/20°C   WATTS																						
				120	143	167	190	214	237	261	284	308	331	355	378	402	426	449	473	496	520	543	567	590	614	637
				HEAT OUTPUT 55/45/20°C   WATTS																						
				55	65	76	87	98	108	119	130	141	151	162	173	183	194	205	216	226	237	248	258	269	280	291

PRODUCT CODE	VERSION	DEPTH	WIDTH	LENGTH (mm)																						
				800	900	1000	1100	1200	1300	1400	1500	1600	1700	1800	1900	2000	2100	2200	2300	2400	2500	2600	2700	2800	2900	3000
LFKO-*/09/26-V1U1P0	ECONOMIC	90mm	260mm	\$ 620.00	\$ 665.00	\$ 715.00	\$ 765.00	\$ 815.00	\$ 850.00	\$ 925.00	\$ 970.00	\$ 1,025.00	\$ 1,075.00	\$ 1,120.00	\$ 1,170.00	\$ 1,220.00	\$ 1,270.00	\$ 1,315.00	\$ 1,360.00	\$ 1,415.00	\$ 1,465.00	\$ 1,515.00	\$ 1,565.00	\$ 1,610.00	\$ 1,660.00	\$ 1,725.00
LFKO-*/09/26-V5U1P0	EXCLUSIVE	90mm	260mm	\$ 645.00	\$ 700.00	\$ 755.00	\$ 810.00	\$ 860.00	\$ 915.00	\$ 985.00	\$ 1,040.00	\$ 1,095.00	\$ 1,145.00	\$ 1,205.00	\$ 1,260.00	\$ 1,310.00	\$ 1,365.00	\$ 1,415.00	\$ 1,470.00	\$ 1,530.00	\$ 1,585.00	\$ 1,640.00	\$ 1,695.00	\$ 1,745.00	\$ 1,800.00	\$ 1,870.00
				HEAT OUTPUT 75/65/20°C   WATTS																						
				153	183	213	243	273	303	333	363	393	423	453	483	513	543	573	603	633	663	693	723	753	783	813
				HEAT OUTPUT 55/45/20°C   WATTS																						
				69	82	96	109	123	136	150	163	177	190	204	217	231	244	258	271	285	298	311	325	338	352	365

PRODUCT CODE	VERSION	DEPTH	WIDTH	LENGTH (mm)																						
				800	900	1000	1100	1200	1300	1400	1500	1600	1700	1800	1900	2000	2100	2200	2300	2400	2500	2600	2700	2800	2900	3000
LFKO-*/09/32-V1U1P0	ECONOMIC	90mm	320mm	\$ 810.00	\$ 865.00	\$ 925.00	\$ 980.00	\$ 1,035.00	\$ 1,095.00	\$ 1,165.00	\$ 1,220.00	\$ 1,285.00	\$ 1,340.00	\$ 1,400.00	\$ 1,455.00	\$ 1,510.00	\$ 1,570.00	\$ 1,625.00	\$ 1,680.00	\$ 1,745.00	\$ 1,805.00	\$ 1,860.00	\$ 1,920.00	\$ 1,975.00	\$ 2,030.00	\$ 2,105.00
LFKO-*/09/32-V5U1P0	EXCLUSIVE	90mm	320mm	\$ 845.00	\$ 910.00	\$ 975.00	\$ 1,040.00	\$ 1,100.00	\$ 1,170.00	\$ 1,250.00	\$ 1,310.00	\$ 1,380.00	\$ 1,445.00	\$ 1,510.00	\$ 1,575.00	\$ 1,640.00	\$ 1,705.00	\$ 1,765.00	\$ 1,830.00	\$ 1,900.00	\$ 1,965.00	\$ 2,030.00	\$ 2,095.00	\$ 2,160.00	\$ 2,225.00	\$ 2,305.00
				HEAT OUTPUT 75/65/20°C   WATTS																						
				195	236	278	319	361	402	444	485	526	568	609	651	692	733	775	816	858	899	940	982	1023	1065	1106
				HEAT OUTPUT 55/45/20°C   WATTS																						
				93	112	132	151	171	191	210	230	250	269	289	309	328	348	368	387	407	426	446	466	485	505	525

PRODUCT CODE	VERSION	DEPTH	WIDTH	LENGTH (mm)																						
				800	900	1000	1100	1200	1300	1400	1500	1600	1700	1800	1900	2000	2100	2200	2300	2400	2500	2600	2700	2800	2900	3000
LFKO-*/09/40-V1U1P0	ECONOMIC	90mm	400mm	\$ 895.00	\$ 970.00	\$ 1,045.00	\$ 1,120.00	\$ 1,195.00	\$ 1,270.00	\$ 1,360.00	\$ 1,435.00	\$ 1,515.00	\$ 1,590.00	\$ 1,665.00	\$ 1,740.00	\$ 1,815.00	\$ 1,890.00	\$ 1,965.00	\$ 2,040.00	\$ 2,125.00	\$ 2,200.00	\$ 2,275.00	\$ 2,350.00	\$ 2,425.00	\$ 2,500.00	\$ 2,590.00
LFKO-*/09/40-V5U1P0	EXCLUSIVE	90mm	400mm	\$ 950.00	\$ 1,035.00	\$ 1,120.00	\$ 1,205.00	\$ 1,295.00	\$ 1,380.00	\$ 1,480.00	\$ 1,565.00	\$ 1,655.00	\$ 1,740.00	\$ 1,825.00	\$ 1,915.00	\$ 2,000.00	\$ 2,085.00	\$ 2,170.00	\$ 2,255.00	\$ 2,355.00	\$ 2,440.00	\$ 2,525.00	\$ 2,610.00	\$ 2,700.00	\$ 2,780.00	\$ 2,885.00
				HEAT OUTPUT 75/65/20°C   WATTS																						
				275	329	383	437	490	544	598	652	706	760	814	868	922	976	1029	1083	1137	1191	1245	1299	1353	1407	1461
				HEAT OUTPUT 55/45/20°C   WATTS																						
				130	156	181	207	233	258	284	309	335	360	386	411	437	463	488	514	539	565	590	616	641	667	693

\* ECONOMIC | Non Laquered Al/CU heat exchanger with bleed valve

\* EXCLUSIVE | RAL 9005 BLACK Laquered Al/CU heat exchanger with bleed valve

\* RAL 9005 Black Laquered galvanised steel case | \* Aluminium U-Frame Silver Elox | \* Metal Cover Plate

\* Levelling set screws and 4 anchors | \* Spacers for correct installation when setting in concrete | \* Hardboard cover to protect element

\* Measurements shown in mm, where F-Frame is fitted both length and with are increased by 30mm

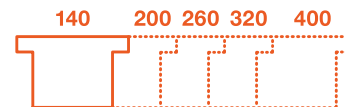
\* GRILLES ARE NOT INCLUDED IN TRENCH HEATER PRICING AND MUST BE ORDERED SEPERATELY

\* REFER TO ORDERING CODES ON PAGE



# KORAFLEX Optimal FKO

depth 90 mm



Optimal FKO

## Heat output [W] where $t_1/t_2/t_3$ / EN 16430

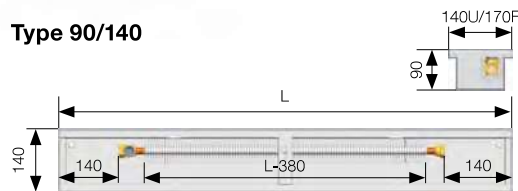
Measurements shown in mm including U-frame.

Length	$t_1/t_2/t_3$ [°C]	Width	Width	Width	Width	Width
		140	200	260	320	400
800	<b>75/65/20</b>	<b>50</b>	<b>120</b>	<b>153</b>	<b>195</b>	<b>275</b>
	55/45/20	23	55	69	93	130
900	<b>75/65/20</b>	<b>62</b>	<b>143</b>	<b>183</b>	<b>236</b>	<b>329</b>
	55/45/20	29	65	82	112	156
1 000	<b>75/65/20</b>	<b>74</b>	<b>167</b>	<b>213</b>	<b>278</b>	<b>383</b>
	55/45/20	34	76	96	132	181
1 100	<b>75/65/20</b>	<b>86</b>	<b>190</b>	<b>243</b>	<b>319</b>	<b>437</b>
	55/45/20	40	87	109	151	207
1 200	<b>75/65/20</b>	<b>98</b>	<b>214</b>	<b>273</b>	<b>361</b>	<b>490</b>
	55/45/20	45	98	123	171	233
1 300	<b>75/65/20</b>	<b>110</b>	<b>237</b>	<b>303</b>	<b>402</b>	<b>544</b>
	55/45/20	51	108	136	191	258
1 400	<b>75/65/20</b>	<b>122</b>	<b>261</b>	<b>333</b>	<b>444</b>	<b>598</b>
	55/45/20	56	119	150	210	284
1 500	<b>75/65/20</b>	<b>134</b>	<b>284</b>	<b>363</b>	<b>485</b>	<b>652</b>
	55/45/20	62	130	163	230	309
1 600	<b>75/65/20</b>	<b>146</b>	<b>308</b>	<b>393</b>	<b>526</b>	<b>706</b>
	55/45/20	67	141	177	250	335
1 700	<b>75/65/20</b>	<b>158</b>	<b>331</b>	<b>423</b>	<b>568</b>	<b>760</b>
	55/45/20	73	151	190	269	360
1 800	<b>75/65/20</b>	<b>170</b>	<b>355</b>	<b>453</b>	<b>609</b>	<b>814</b>
	55/45/20	78	162	204	289	386
1 900	<b>75/65/20</b>	<b>182</b>	<b>378</b>	<b>483</b>	<b>651</b>	<b>868</b>
	55/45/20	84	173	217	309	411
2 000	<b>75/65/20</b>	<b>194</b>	<b>402</b>	<b>513</b>	<b>692</b>	<b>922</b>
	55/45/20	89	183	231	328	437
2 100	<b>75/65/20</b>	<b>206</b>	<b>426</b>	<b>543</b>	<b>733</b>	<b>976</b>
	55/45/20	95	194	244	348	463
2 200	<b>75/65/20</b>	<b>218</b>	<b>449</b>	<b>573</b>	<b>775</b>	<b>1029</b>
	55/45/20	100	205	258	368	488
2 300	<b>75/65/20</b>	<b>230</b>	<b>473</b>	<b>603</b>	<b>816</b>	<b>1083</b>
	55/45/20	106	216	271	387	514
2 400	<b>75/65/20</b>	<b>242</b>	<b>496</b>	<b>633</b>	<b>858</b>	<b>1137</b>
	55/45/20	111	226	285	407	539
2 500	<b>75/65/20</b>	<b>254</b>	<b>520</b>	<b>663</b>	<b>899</b>	<b>1191</b>
	55/45/20	117	237	298	426	565
2 600	<b>75/65/20</b>	<b>266</b>	<b>543</b>	<b>693</b>	<b>940</b>	<b>1245</b>
	55/45/20	122	248	311	446	590
2 700	<b>75/65/20</b>	<b>278</b>	<b>567</b>	<b>723</b>	<b>982</b>	<b>1299</b>
	55/45/20	128	258	325	466	616
2 800	<b>75/65/20</b>	<b>290</b>	<b>590</b>	<b>753</b>	<b>1023</b>	<b>1353</b>
	55/45/20	133	269	338	485	641
2 900	<b>75/65/20</b>	<b>302</b>	<b>614</b>	<b>783</b>	<b>1065</b>	<b>1407</b>
	55/45/20	139	280	352	505	667
3 000	<b>75/65/20</b>	<b>314</b>	<b>637</b>	<b>813</b>	<b>1106</b>	<b>1461</b>
	55/45/20	144	291	365	525	693

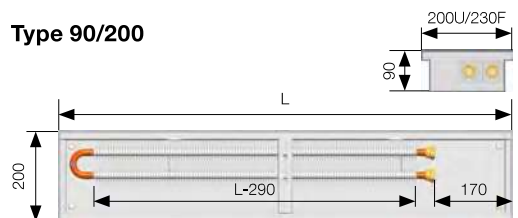
Temperature exponent [n] **1.5247 1.5373 1.5643 1.4599 1.4607**



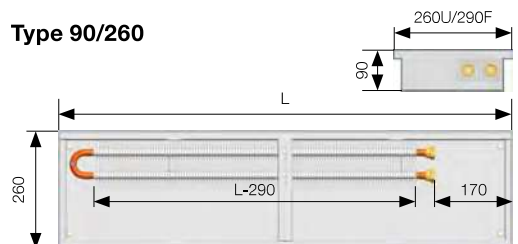
Type 90/140



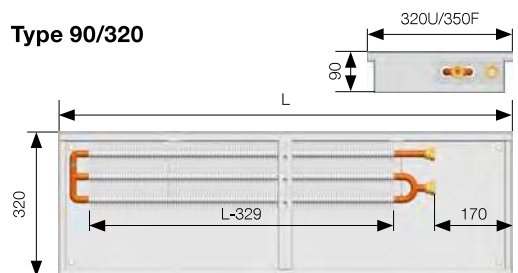
Type 90/200



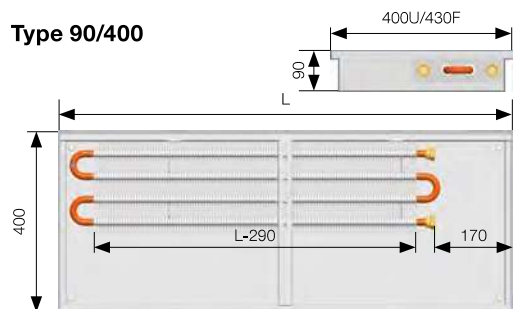
Type 90/260



Type 90/320



Type 90/400



Measurements shown in mm. Where the F-frame is fitted, both the length and width increase by 30mm.

### Further information

FK Mounting p. 47, Accessories p. 50, Connections and connection measurements p. 52, Technical data p. 54, Thermal gradient conversion p. 55, Convector pressure losses p. 56, Grilles and frames p. 120–127



# LICON TRENCH HEATERS | KORAFLEX OPTIMAL FKO | 2023 | DEPTH 110mm

PRODUCT CODE	VERSION	DEPTH	WIDTH	LENGTH (mm)																						
				800	900	1000	1100	1200	1300	1400	1500	1600	1700	1800	1900	2000	2100	2200	2300	2400	2500	2600	2700	2800	2900	3000
LFKO-*/11/14-P1U1PO	ECONOMIC	110mm	140mm	\$ 530.00	\$ 565.00	\$ 600.00	\$ 635.00	\$ 675.00	\$ 710.00	\$ 760.00	\$ 800.00	\$ 840.00	\$ 875.00	\$ 910.00	\$ 945.00	\$ 980.00	\$ 1,015.00	\$ 1,055.00	\$ 1,090.00	\$ 1,130.00	\$ 1,165.00	\$ 1,200.00	\$ 1,235.00	\$ 1,270.00	\$ 1,305.00	\$ 1,360.00
LFKO-*/11/14-P5U1PO	EXCLUSIVE	110mm	140mm	\$ 545.00	\$ 580.00	\$ 620.00	\$ 660.00	\$ 700.00	\$ 735.00	\$ 790.00	\$ 830.00	\$ 870.00	\$ 910.00	\$ 950.00	\$ 990.00	\$ 1,025.00	\$ 1,065.00	\$ 1,100.00	\$ 1,145.00	\$ 1,185.00	\$ 1,220.00	\$ 1,260.00	\$ 1,300.00	\$ 1,340.00	\$ 1,380.00	\$ 1,435.00
				HEAT OUTPUT 75/65/20°C   WATTS																						
				56	69	82	95	108	122	135	148	161	175	188	201	214	227	241	254	267	280	294	307	320	333	346
				HEAT OUTPUT 55/45/20°C   WATTS																						
				26	32	38	44	51	57	63	69	75	82	88	94	100	106	112	119	125	131	137	143	149	156	162

PRODUCT CODE	VERSION	DEPTH	WIDTH	LENGTH (mm)																						
				800	900	1000	1100	1200	1300	1400	1500	1600	1700	1800	1900	2000	2100	2200	2300	2400	2500	2600	2700	2800	2900	3000
LFKO-*/11/20-V1U1PO	ECONOMIC	110mm	200mm	\$ 600.00	\$ 645.00	\$ 695.00	\$ 740.00	\$ 790.00	\$ 835.00	\$ 895.00	\$ 945.00	\$ 995.00	\$ 1,045.00	\$ 1,090.00	\$ 1,140.00	\$ 1,185.00	\$ 1,230.00	\$ 1,280.00	\$ 1,325.00	\$ 1,380.00	\$ 1,425.00	\$ 1,470.00	\$ 1,520.00	\$ 1,565.00	\$ 1,615.00	\$ 1,675.00
LFKO-*/11/20-V5U1PO	EXCLUSIVE	110mm	200mm	\$ 625.00	\$ 680.00	\$ 730.00	\$ 785.00	\$ 840.00	\$ 890.00	\$ 960.00	\$ 1,010.00	\$ 1,065.00	\$ 1,120.00	\$ 1,170.00	\$ 1,225.00	\$ 1,275.00	\$ 1,330.00	\$ 1,380.00	\$ 1,435.00	\$ 1,490.00	\$ 1,545.00	\$ 1,600.00	\$ 1,650.00	\$ 1,705.00	\$ 1,755.00	\$ 1,825.00
				HEAT OUTPUT 75/65/20°C   WATTS																						
				142	170	196	226	254	282	309	337	365	393	421	449	477	505	532	560	588	616	644	672	700	728	755
				HEAT OUTPUT 55/45/20°C   WATTS																						
				67	80	93	106	119	133	146	159	172	185	198	211	225	238	251	264	277	290	303	316	330	343	356

PRODUCT CODE	VERSION	DEPTH	WIDTH	LENGTH (mm)																						
				800	900	1000	1100	1200	1300	1400	1500	1600	1700	1800	1900	2000	2100	2200	2300	2400	2500	2600	2700	2800	2900	3000
LFKO-*/11/26-V1U1PO	ECONOMIC	110mm	260mm	\$ 655.00	\$ 705.00	\$ 755.00	\$ 805.00	\$ 860.00	\$ 910.00	\$ 975.00	\$ 1,025.00	\$ 1,080.00	\$ 1,130.00	\$ 1,185.00	\$ 1,235.00	\$ 1,285.00	\$ 1,335.00	\$ 1,390.00	\$ 1,440.00	\$ 1,495.00	\$ 1,545.00	\$ 1,600.00	\$ 1,650.00	\$ 1,700.00	\$ 1,750.00	\$ 1,805.00
LFKO-*/11/26-V5U1PO	EXCLUSIVE	110mm	260mm	\$ 680.00	\$ 740.00	\$ 795.00	\$ 850.00	\$ 905.00	\$ 960.00	\$ 1,035.00	\$ 1,090.00	\$ 1,150.00	\$ 1,205.00	\$ 1,265.00	\$ 1,320.00	\$ 1,375.00	\$ 1,435.00	\$ 1,490.00	\$ 1,545.00	\$ 1,610.00	\$ 1,665.00	\$ 1,725.00	\$ 1,780.00	\$ 1,835.00	\$ 1,890.00	\$ 1,950.00
				HEAT OUTPUT 75/65/20°C   WATTS																						
				184	221	257	293	329	365	401	438	474	510	546	582	618	655	691	727	763	799	835	872	908	944	980
				HEAT OUTPUT 55/45/20°C   WATTS																						
				88	106	123	140	158	175	192	210	227	244	262	279	296	314	331	348	366	383	400	418	435	452	470

PRODUCT CODE	VERSION	DEPTH	WIDTH	LENGTH (mm)																						
				800	900	1000	1100	1200	1300	1400	1500	1600	1700	1800	1900	2000	2100	2200	2300	2400	2500	2600	2700	2800	2900	3000
LFKO-*/11/32-V1U1PO	ECONOMIC	110mm	320mm	\$ 830.00	\$ 885.00	\$ 945.00	\$ 1,010.00	\$ 1,065.00	\$ 1,125.00	\$ 1,200.00	\$ 1,260.00	\$ 1,320.00	\$ 1,380.00	\$ 1,440.00	\$ 1,500.00	\$ 1,555.00	\$ 1,615.00	\$ 1,675.00	\$ 1,735.00	\$ 1,800.00	\$ 1,860.00	\$ 1,920.00	\$ 1,980.00	\$ 2,040.00	\$ 2,095.00	\$ 2,170.00
LFKO-*/11/32-V5U1PO	EXCLUSIVE	110mm	320mm	\$ 870.00	\$ 935.00	\$ 1,000.00	\$ 1,065.00	\$ 1,135.00	\$ 1,200.00	\$ 1,280.00	\$ 1,345.00	\$ 1,415.00	\$ 1,485.00	\$ 1,550.00	\$ 1,620.00	\$ 1,685.00	\$ 1,750.00	\$ 1,815.00	\$ 1,880.00	\$ 1,955.00	\$ 2,025.00	\$ 2,090.00	\$ 2,160.00	\$ 2,225.00	\$ 2,290.00	\$ 2,370.00
				HEAT OUTPUT 75/65/20°C   WATTS																						
				237	287	338	388	438	489	539	589	640	690	740	791	841	891	942	992	1042	1093	1143	1193	1244	1294	1344
				HEAT OUTPUT 55/45/20°C   WATTS																						
				112	136	160	184	208	232	255	279	303	327	351	375	398	422	446	470	494	518	542	565	589	613	637

PRODUCT CODE	VERSION	DEPTH	WIDTH	LENGTH (mm)																						
				800	900	1000	1100	1200	1300	1400	1500	1600	1700	1800	1900	2000	2100	2200	2300	2400	2500	2600	2700	2800	2900	3000
LFKO-*/11/40-V1U1PO	ECONOMIC	110mm	400mm	\$ 925.00	\$ 1,005.00	\$ 1,080.00	\$ 1,155.00	\$ 1,235.00	\$ 1,315.00	\$ 1,405.00	\$ 1,485.00	\$ 1,570.00	\$ 1,650.00	\$ 1,725.00	\$ 1,805.00	\$ 1,880.00	\$ 1,960.00	\$ 2,040.00	\$ 2,115.00	\$ 2,205.00	\$ 2,280.00	\$ 2,360.00	\$ 2,440.00	\$ 2,515.00	\$ 2,595.00	\$ 2,690.00
LFKO-*/11/40-V5U1PO	EXCLUSIVE	110mm	400mm	\$ 980.00	\$ 1,065.00	\$ 1,155.00	\$ 1,245.00	\$ 1,335.00	\$ 1,425.00	\$ 1,530.00	\$ 1,615.00	\$ 1,710.00	\$ 1,795.00	\$ 1,890.00	\$ 1,975.00	\$ 2,065.00	\$ 2,155.00	\$ 2,245.00	\$ 2,330.00	\$ 2,430.00	\$ 2,520.00	\$ 2,610.00	\$ 2,700.00	\$ 2,785.00	\$ 2,875.00	\$ 2,975.00
				HEAT OUTPUT 75/65/20°C   WATTS																						
				327	391	456	520	584	648	712	776	841	905	969	1033	1097	1161	1226	1290	1354	1418	1482	1546	1611	1675	1739
				HEAT OUTPUT 55/45/20°C   WATTS																						
				155	186	216	247	277	308	338	369	399	430	460	491	521	552	582	613	643	674	704	735	765	795	826

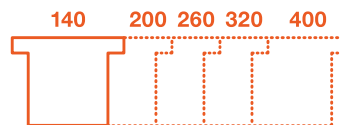
- \* ECONOMIC | Non Laquered Al/CU heat exchanger with bleed valve
- \* EXCLUSIVE | RAL 9005 BLACK Laquered Al/CU heat exchanger with bleed valve
- \* RAL 9005 Black Laquered galvanised steel case | \* Aluminium U-Frame Silver Elox | \* Metal Cover Plate
- \* Levelling set screws and 4 anchors | \* Spacers for correct installation when setting in concrete | \* Hardboard cover to protect element
- \* Measurements shown in mm, where F-Frame is fitted both length and with are increased by 30mm

\* GRILLES ARE NOT INCLUDED IN TRENCH HEATER PRICING AND MUST BE ORDERED SEPERATELY

\* REFER TO ORDERING CODES ON PAGE

# KORAFLEX Optimal FKO

depth 110 mm



## Heat output [W] where $t_1/t_2/t_3$ / EN 16430

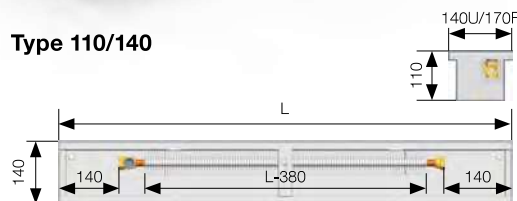
Measurements shown in mm including U-frame.

Length	$t_1/t_2/t_3$ [°C]	Width	Width	Width	Width	Width
		140	200	260	320	400
800	<b>75/65/20</b>	<b>56</b>	<b>142</b>	<b>184</b>	<b>237</b>	<b>327</b>
	55/45/20	26	67	88	112	155
900	<b>75/65/20</b>	<b>69</b>	<b>170</b>	<b>221</b>	<b>287</b>	<b>391</b>
	55/45/20	32	80	106	136	186
1 000	<b>75/65/20</b>	<b>82</b>	<b>198</b>	<b>257</b>	<b>338</b>	<b>456</b>
	55/45/20	38	93	123	160	216
1 100	<b>75/65/20</b>	<b>95</b>	<b>226</b>	<b>293</b>	<b>388</b>	<b>520</b>
	55/45/20	44	106	140	184	247
1 200	<b>75/65/20</b>	<b>108</b>	<b>254</b>	<b>329</b>	<b>438</b>	<b>584</b>
	55/45/20	51	119	158	208	277
1 300	<b>75/65/20</b>	<b>122</b>	<b>282</b>	<b>365</b>	<b>489</b>	<b>648</b>
	55/45/20	57	133	175	232	308
1 400	<b>75/65/20</b>	<b>135</b>	<b>309</b>	<b>401</b>	<b>539</b>	<b>712</b>
	55/45/20	63	146	192	255	338
1 500	<b>75/65/20</b>	<b>148</b>	<b>337</b>	<b>438</b>	<b>589</b>	<b>776</b>
	55/45/20	69	159	210	279	369
1 600	<b>75/65/20</b>	<b>161</b>	<b>365</b>	<b>474</b>	<b>640</b>	<b>841</b>
	55/45/20	75	172	227	303	399
1 700	<b>75/65/20</b>	<b>175</b>	<b>393</b>	<b>510</b>	<b>690</b>	<b>905</b>
	55/45/20	82	185	244	327	430
1 800	<b>75/65/20</b>	<b>188</b>	<b>421</b>	<b>546</b>	<b>740</b>	<b>969</b>
	55/45/20	88	198	262	351	460
1 900	<b>75/65/20</b>	<b>201</b>	<b>449</b>	<b>582</b>	<b>791</b>	<b>1033</b>
	55/45/20	94	211	279	375	491
2 000	<b>75/65/20</b>	<b>214</b>	<b>477</b>	<b>618</b>	<b>841</b>	<b>1097</b>
	55/45/20	100	225	296	398	521
2 100	<b>75/65/20</b>	<b>227</b>	<b>505</b>	<b>655</b>	<b>891</b>	<b>1161</b>
	55/45/20	106	238	314	422	552
2 200	<b>75/65/20</b>	<b>241</b>	<b>532</b>	<b>691</b>	<b>942</b>	<b>1226</b>
	55/45/20	112	251	331	446	582
2 300	<b>75/65/20</b>	<b>254</b>	<b>560</b>	<b>727</b>	<b>992</b>	<b>1290</b>
	55/45/20	119	264	348	470	613
2 400	<b>75/65/20</b>	<b>267</b>	<b>588</b>	<b>763</b>	<b>1042</b>	<b>1354</b>
	55/45/20	125	277	366	494	643
2 500	<b>75/65/20</b>	<b>280</b>	<b>616</b>	<b>799</b>	<b>1093</b>	<b>1418</b>
	55/45/20	131	290	383	518	674
2 600	<b>75/65/20</b>	<b>294</b>	<b>644</b>	<b>835</b>	<b>1143</b>	<b>1482</b>
	55/45/20	137	303	400	542	704
2 700	<b>75/65/20</b>	<b>307</b>	<b>672</b>	<b>872</b>	<b>1193</b>	<b>1546</b>
	55/45/20	143	316	418	565	735
2 800	<b>75/65/20</b>	<b>320</b>	<b>700</b>	<b>908</b>	<b>1244</b>	<b>1611</b>
	55/45/20	149	330	435	589	765
2 900	<b>75/65/20</b>	<b>333</b>	<b>728</b>	<b>944</b>	<b>1294</b>	<b>1675</b>
	55/45/20	156	343	452	613	795
3 000	<b>75/65/20</b>	<b>346</b>	<b>755</b>	<b>980</b>	<b>1344</b>	<b>1739</b>
	55/45/20	162	356	470	637	826

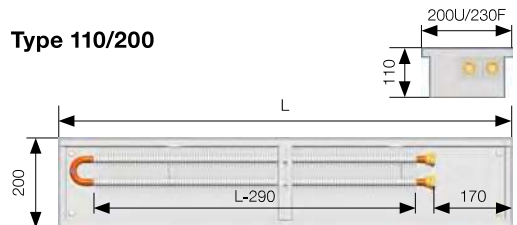
Temperature exponent [n] **1.4888 1.4739 1.4385 1.4622 1.4569**



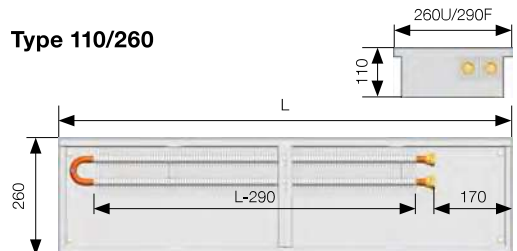
Type 110/140



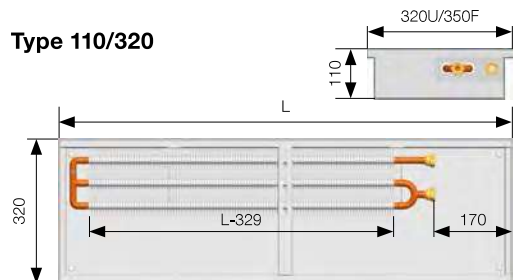
Type 110/200



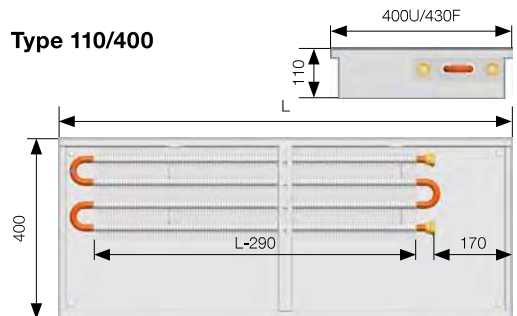
Type 110/260



Type 110/320



Type 110/400



Measurements shown in mm. Where the F-frame is fitted, both the length and width increase by 30mm.

## Further information

FK Mounting p. 47, Accessories p. 50, Connections and connection measurements p. 52, Technical data p. 54, Thermal gradient conversion p. 55, Convector pressure losses p. 56, Grilles and frames p. 120–127



# LICON TRENCH HEATERS | KORAFLEX OPTIMAL FKO | 2023 | DEPTH 130mm

PRODUCT CODE	VERSION	DEPTH	WIDTH	LENGTH (mm)																						
				800	900	1000	1100	1200	1300	1400	1500	1600	1700	1800	1900	2000	2100	2200	2300	2400	2500	2600	2700	2800	2900	3000
LFKO-*/13/14-P1U1PO	ECONOMIC	130mm	140mm	\$ 590.00	\$ 635.00	\$ 685.00	\$ 730.00	\$ 775.00	\$ 820.00	\$ 880.00	\$ 925.00	\$ 975.00	\$ 1,020.00	\$ 1,065.00	\$ 1,110.00	\$ 1,155.00	\$ 1,205.00	\$ 1,250.00	\$ 1,295.00	\$ 1,345.00	\$ 1,390.00	\$ 1,435.00	\$ 1,480.00	\$ 1,530.00	\$ 1,575.00	\$ 1,635.00
LFKO-*/13/14-P5U1PO	EXCLUSIVE	130mm	140mm	\$ 620.00	\$ 670.00	\$ 720.00	\$ 775.00	\$ 825.00	\$ 875.00	\$ 945.00	\$ 995.00	\$ 1,050.00	\$ 1,100.00	\$ 1,150.00	\$ 1,205.00	\$ 1,255.00	\$ 1,305.00	\$ 1,355.00	\$ 1,405.00	\$ 1,465.00	\$ 1,515.00	\$ 1,565.00	\$ 1,620.00	\$ 1,665.00	\$ 1,720.00	\$ 1,790.00
		HEAT OUTPUT 75/65/20°C   WATTS		79	95	110	126	141	157	172	188	203	219	234	250	265	280	296	311	327	342	358	373	389	404	420
		HEAT OUTPUT 55/45/20°C   WATTS		35	42	49	56	63	70	77	83	90	97	104	111	118	125	132	139	146	152	159	166	173	180	187

PRODUCT CODE	VERSION	DEPTH	WIDTH	LENGTH (mm)																						
				800	900	1000	1100	1200	1300	1400	1500	1600	1700	1800	1900	2000	2100	2200	2300	2400	2500	2600	2700	2800	2900	3000
LFKO-*/13/20-V1U1PO	ECONOMIC	130mm	200mm	\$ 785.00	\$ 855.00	\$ 920.00	\$ 990.00	\$ 1,055.00	\$ 1,120.00	\$ 1,205.00	\$ 1,270.00	\$ 1,340.00	\$ 1,405.00	\$ 1,475.00	\$ 1,545.00	\$ 1,610.00	\$ 1,675.00	\$ 1,745.00	\$ 1,810.00	\$ 1,880.00	\$ 1,950.00	\$ 2,020.00	\$ 2,085.00	\$ 2,150.00	\$ 2,220.00	\$ 2,300.00
LFKO-*/13/20-V5U1PO	EXCLUSIVE	130mm	200mm	\$ 840.00	\$ 915.00	\$ 995.00	\$ 1,075.00	\$ 1,155.00	\$ 1,230.00	\$ 1,325.00	\$ 2,050.00	\$ 1,480.00	\$ 1,560.00	\$ 1,640.00	\$ 1,715.00	\$ 1,795.00	\$ 1,870.00	\$ 1,950.00	\$ 2,030.00	\$ 2,110.00	\$ 2,185.00	\$ 2,265.00	\$ 2,345.00	\$ 2,420.00	\$ 2,500.00	\$ 2,595.00
		HEAT OUTPUT 75/65/20°C   WATTS		143	172	200	228	256	284	312	340	368	397	425	453	481	509	537	565	594	622	650	678	706	734	762
		HEAT OUTPUT 55/45/20°C   WATTS		66	79	92	105	118	131	144	157	170	183	196	209	222	235	248	261	274	287	300	313	326	339	352

PRODUCT CODE	VERSION	DEPTH	WIDTH	LENGTH (mm)																						
				800	900	1000	1100	1200	1300	1400	1500	1600	1700	1800	1900	2000	2100	2200	2300	2400	2500	2600	2700	2800	2900	3000
LFKO-*/13/26-V1U1PO	ECONOMIC	130mm	260mm	\$ 835.00	\$ 905.00	\$ 975.00	\$ 1,045.00	\$ 1,120.00	\$ 1,185.00	\$ 1,275.00	\$ 1,345.00	\$ 1,415.00	\$ 1,490.00	\$ 1,560.00	\$ 1,630.00	\$ 1,700.00	\$ 1,770.00	\$ 1,840.00	\$ 1,910.00	\$ 1,990.00	\$ 2,060.00	\$ 2,130.00	\$ 2,200.00	\$ 2,270.00	\$ 2,345.00	\$ 2,430.00
LFKO-*/13/26-V5U1PO	EXCLUSIVE	130mm	260mm	\$ 890.00	\$ 970.00	\$ 1,055.00	\$ 1,135.00	\$ 1,215.00	\$ 1,295.00	\$ 1,390.00	\$ 1,475.00	\$ 1,560.00	\$ 1,640.00	\$ 1,720.00	\$ 1,805.00	\$ 1,885.00	\$ 1,965.00	\$ 2,050.00	\$ 2,130.00	\$ 2,215.00	\$ 2,300.00	\$ 2,380.00	\$ 2,460.00	\$ 2,540.00	\$ 2,625.00	\$ 2,720.00
		HEAT OUTPUT 75/65/20°C   WATTS		203	243	283	323	363	403	443	483	522	562	602	642	682	722	762	802	842	881	921	961	1001	1041	1081
		HEAT OUTPUT 55/45/20°C   WATTS		89	107	125	142	160	177	195	212	230	247	265	282	300	317	335	353	370	388	405	423	440	458	475

PRODUCT CODE	VERSION	DEPTH	WIDTH	LENGTH (mm)																						
				800	900	1000	1100	1200	1300	1400	1500	1600	1700	1800	1900	2000	2100	2200	2300	2400	2500	2600	2700	2800	2900	3000
LFKO-*/13/32-V1U1PO	ECONOMIC	130mm	320mm	\$ 950.00	\$ 1,035.00	\$ 1,120.00	\$ 1,205.00	\$ 1,285.00	\$ 1,370.00	\$ 1,465.00	\$ 1,545.00	\$ 1,635.00	\$ 1,720.00	\$ 1,800.00	\$ 1,885.00	\$ 1,970.00	\$ 2,050.00	\$ 2,135.00	\$ 2,215.00	\$ 2,310.00	\$ 2,390.00	\$ 2,475.00	\$ 2,560.00	\$ 2,640.00	\$ 2,725.00	\$ 2,820.00
LFKO-*/13/32-V5U1PO	EXCLUSIVE	130mm	320mm	\$ 1,025.00	\$ 1,125.00	\$ 1,220.00	\$ 1,325.00	\$ 1,420.00	\$ 1,520.00	\$ 1,630.00	\$ 1,725.00	\$ 1,830.00	\$ 1,925.00	\$ 2,025.00	\$ 2,120.00	\$ 2,220.00	\$ 2,315.00	\$ 2,415.00	\$ 2,515.00	\$ 2,620.00	\$ 2,715.00	\$ 2,820.00	\$ 2,915.00	\$ 3,010.00	\$ 3,110.00	\$ 3,220.00
		HEAT OUTPUT 75/65/20°C   WATTS		284	340	395	451	507	562	616	674	729	785	841	896	952	1008	1063	1119	1175	1230	1286	1342	1397	1453	1509
		HEAT OUTPUT 55/45/20°C   WATTS		132	158	184	209	235	261	287	313	339	365	390	416	442	468	494	520	545	571	597	623	649	675	701

PRODUCT CODE	VERSION	DEPTH	WIDTH	LENGTH (mm)																						
				800	900	1000	1100	1200	1300	1400	1500	1600	1700	1800	1900	2000	2100	2200	2300	2400	2500	2600	2700	2800	2900	3000
LFKO-*/13/40-V1U1PO	ECONOMIC	130mm	400mm	\$ 1,260.00	\$ 1,370.00	\$ 1,485.00	\$ 1,600.00	\$ 1,715.00	\$ 1,830.00	\$ 1,955.00	\$ 2,070.00	\$ 2,190.00	\$ 2,305.00	\$ 2,420.00	\$ 2,535.00	\$ 2,650.00	\$ 2,765.00	\$ 2,875.00	\$ 2,995.00	\$ 3,115.00	\$ 3,230.00	\$ 3,345.00	\$ 3,460.00	\$ 3,575.00	\$ 3,690.00	\$ 3,820.00
LFKO-*/13/40-V5U1PO	EXCLUSIVE	130mm	400mm	\$ 1,365.00	\$ 1,500.00	\$ 1,640.00	\$ 1,775.00	\$ 1,910.00	\$ 2,045.00	\$ 2,195.00	\$ 2,335.00	\$ 2,475.00	\$ 2,610.00	\$ 2,745.00	\$ 2,885.00	\$ 3,015.00	\$ 3,155.00	\$ 3,290.00	\$ 3,420.00	\$ 3,570.00	\$ 3,705.00	\$ 3,840.00	\$ 3,980.00	\$ 4,115.00	\$ 4,250.00	\$ 4,400.00
		HEAT OUTPUT 75/65/20°C   WATTS		364	435	506	577	649	720	791	863	934	1005	1076	1148	1219	1290	1362	1433	1504	1575	1647	1718	1789	1861	1932
		HEAT OUTPUT 55/45/20°C   WATTS		168	201	234	267	300	333	366	399	431	464	497	530	563	596	629	662	695	728	761	794	827	860	893

\* ECONOMIC | Non Laquered Al/CU heat exchanger with bleed valve

\* EXCLUSIVE | RAL 9005 BLACK Laquered Al/CU heat exchanger with bleed valve

\* RAL 9005 Black Laquered galvanised steel case | \* Aluminium U-Frame Silver Elox | \* Metal Cover Plate

\* Levelling set screws and 4 anchors | \* Spacers for correct installation when setting in concrete | \* Hardboard cover to protect element

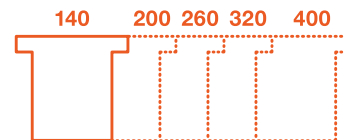
\* Measurements shown in mm, where F-Frame is fitted both length and with are increased by 30mm

\* GRILLES ARE NOT INCLUDED IN TRENCH HEATER PRICING AND MUST BE ORDERED SEPERATELY

\* REFER TO ORDERING CODES ON PAGE

# KORAFLEX Optimal FKO

depth 130 mm



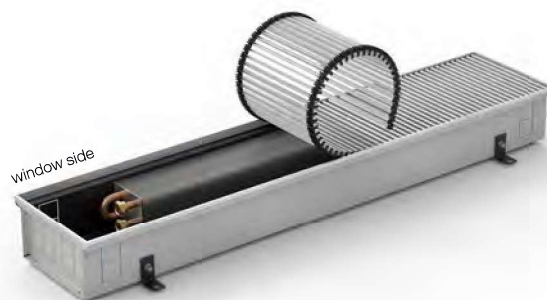
Optimal FKO

## Heat output [W] where $t_1/t_2/t_3$ / EN 16430

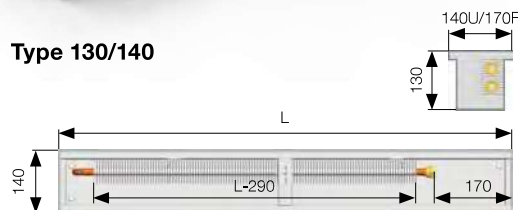
Measurements shown in mm including U-frame.

Length	$t_1/t_2/t_3$ [°C]	Width	Width	Width	Width	Width
		140	200	260	320	400
800	<b>75/65/20</b>	<b>79</b>	<b>143</b>	<b>203</b>	<b>284</b>	<b>364</b>
	55/45/20	35	66	89	132	168
900	<b>75/65/20</b>	<b>95</b>	<b>172</b>	<b>243</b>	<b>340</b>	<b>435</b>
	55/45/20	42	79	107	158	201
1 000	<b>75/65/20</b>	<b>110</b>	<b>200</b>	<b>283</b>	<b>395</b>	<b>506</b>
	55/45/20	49	92	125	184	234
1 100	<b>75/65/20</b>	<b>126</b>	<b>228</b>	<b>323</b>	<b>451</b>	<b>577</b>
	55/45/20	56	105	142	209	267
1 200	<b>75/65/20</b>	<b>141</b>	<b>256</b>	<b>363</b>	<b>507</b>	<b>649</b>
	55/45/20	63	118	160	235	300
1 300	<b>75/65/20</b>	<b>157</b>	<b>284</b>	<b>403</b>	<b>562</b>	<b>720</b>
	55/45/20	70	131	177	261	333
1 400	<b>75/65/20</b>	<b>172</b>	<b>312</b>	<b>443</b>	<b>618</b>	<b>791</b>
	55/45/20	77	144	195	287	366
1 500	<b>75/65/20</b>	<b>188</b>	<b>340</b>	<b>483</b>	<b>674</b>	<b>863</b>
	55/45/20	83	157	212	313	399
1 600	<b>75/65/20</b>	<b>203</b>	<b>368</b>	<b>522</b>	<b>729</b>	<b>934</b>
	55/45/20	90	170	230	339	431
1 700	<b>75/65/20</b>	<b>219</b>	<b>397</b>	<b>562</b>	<b>785</b>	<b>1005</b>
	55/45/20	97	183	247	365	464
1 800	<b>75/65/20</b>	<b>234</b>	<b>425</b>	<b>602</b>	<b>841</b>	<b>1076</b>
	55/45/20	104	196	265	390	497
1 900	<b>75/65/20</b>	<b>250</b>	<b>453</b>	<b>642</b>	<b>896</b>	<b>1148</b>
	55/45/20	111	209	282	416	530
2 000	<b>75/65/20</b>	<b>265</b>	<b>481</b>	<b>682</b>	<b>952</b>	<b>1219</b>
	55/45/20	118	222	300	442	563
2 100	<b>75/65/20</b>	<b>280</b>	<b>509</b>	<b>722</b>	<b>1008</b>	<b>1290</b>
	55/45/20	125	235	317	468	596
2 200	<b>75/65/20</b>	<b>296</b>	<b>537</b>	<b>762</b>	<b>1063</b>	<b>1362</b>
	55/45/20	132	248	335	494	629
2 300	<b>75/65/20</b>	<b>311</b>	<b>565</b>	<b>802</b>	<b>1119</b>	<b>1433</b>
	55/45/20	139	261	353	520	662
2 400	<b>75/65/20</b>	<b>327</b>	<b>594</b>	<b>842</b>	<b>1175</b>	<b>1504</b>
	55/45/20	146	274	370	545	695
2 500	<b>75/65/20</b>	<b>342</b>	<b>622</b>	<b>881</b>	<b>1230</b>	<b>1575</b>
	55/45/20	152	287	388	571	728
2 600	<b>75/65/20</b>	<b>358</b>	<b>650</b>	<b>921</b>	<b>1286</b>	<b>1647</b>
	55/45/20	159	300	405	597	761
2 700	<b>75/65/20</b>	<b>373</b>	<b>678</b>	<b>961</b>	<b>1342</b>	<b>1718</b>
	55/45/20	166	313	423	623	794
2 800	<b>75/65/20</b>	<b>389</b>	<b>706</b>	<b>1001</b>	<b>1397</b>	<b>1789</b>
	55/45/20	173	326	440	649	827
2 900	<b>75/65/20</b>	<b>404</b>	<b>734</b>	<b>1041</b>	<b>1453</b>	<b>1861</b>
	55/45/20	180	339	458	675	860
3 000	<b>75/65/20</b>	<b>420</b>	<b>762</b>	<b>1081</b>	<b>1509</b>	<b>1932</b>
	55/45/20	187	352	475	701	893

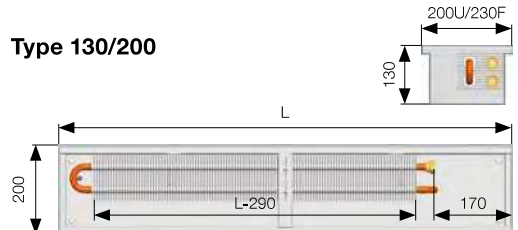
Temperature exponent [n] **1.5855 1.5143 1.6077 1.5011 1.5119**



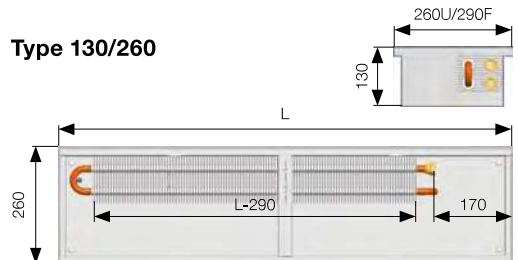
Type 130/140



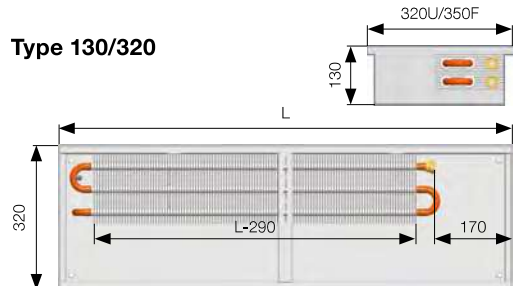
Type 130/200



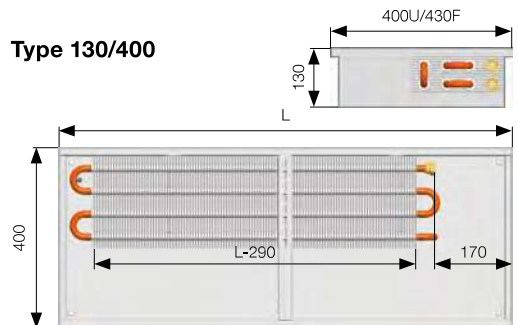
Type 130/260



Type 130/320



Type 130/400



Measurements shown in mm. Where the F-frame is fitted, both the length and width increase by 30mm.

## Further information

FK Mounting p. 47, Accessories p. 50, Connections and connection measurements p. 52, Technical data p. 54, Thermal gradient conversion p. 55, Convector pressure losses p. 56, Grilles and frames p. 120–127





# LICON TRENCH HEATERS | KORAFLEX OPTIMAL FKO | 2023 | DEPTH 150mm

PRODUCT CODE	VERSION	DEPTH	WIDTH	LENGTH (mm)																						
				800	900	1000	1100	1200	1300	1400	1500	1600	1700	1800	1900	2000	2100	2200	2300	2400	2500	2600	2700	2800	2900	3000
LFKO-*/15/14-P1U1PO	ECONOMIC	150mm	140mm	\$ 620.00	\$ 670.00	\$ 720.00	\$ 770.00	\$ 820.00	\$ 870.00	\$ 935.00	\$ 985.00	\$ 1,035.00	\$ 1,090.00	\$ 1,140.00	\$ 1,185.00	\$ 1,240.00	\$ 1,285.00	\$ 1,335.00	\$ 1,390.00	\$ 1,440.00	\$ 1,490.00	\$ 1,540.00	\$ 1,590.00	\$ 1,640.00	\$ 1,685.00	\$ 1,755.00
LFKO-*/15/14-P5U1PO	EXCLUSIVE	150mm	140mm	\$ 650.00	\$ 705.00	\$ 760.00	\$ 815.00	\$ 870.00	\$ 925.00	\$ 1,000.00	\$ 1,055.00	\$ 1,110.00	\$ 1,165.00	\$ 1,220.00	\$ 1,275.00	\$ 1,335.00	\$ 1,390.00	\$ 1,445.00	\$ 1,500.00	\$ 1,555.00	\$ 1,610.00	\$ 1,665.00	\$ 1,725.00	\$ 1,780.00	\$ 1,835.00	\$ 1,905.00
				HEAT OUTPUT 75/65/20°C   WATTS																						
				92	110	127	145	163	181	199	217	235	253	271	289	307	325	343	361	379	397	415	433	451	469	487
				HEAT OUTPUT 55/45/20°C   WATTS																						
				42	50	58	66	74	82	90	99	107	115	123	131	139	147	156	164	172	180	188	196	204	212	221

PRODUCT CODE	VERSION	DEPTH	WIDTH	LENGTH (mm)																						
				800	900	1000	1100	1200	1300	1400	1500	1600	1700	1800	1900	2000	2100	2200	2300	2400	2500	2600	2700	2800	2900	3000
LFKO-*/15/20-V1U1PO	ECONOMIC	150mm	200mm	\$ 805.00	\$ 875.00	\$ 945.00	\$ 1,015.00	\$ 1,090.00	\$ 1,160.00	\$ 1,250.00	\$ 1,320.00	\$ 1,390.00	\$ 1,465.00	\$ 1,535.00	\$ 1,610.00	\$ 1,680.00	\$ 1,750.00	\$ 1,835.00	\$ 1,895.00	\$ 1,970.00	\$ 2,040.00	\$ 2,115.00	\$ 2,185.00	\$ 2,255.00	\$ 2,325.00	\$ 2,415.00
LFKO-*/15/20-V5U1PO	EXCLUSIVE	150mm	200mm	\$ 860.00	\$ 940.00	\$ 1,020.00	\$ 1,105.00	\$ 1,185.00	\$ 1,270.00	\$ 1,365.00	\$ 1,450.00	\$ 1,535.00	\$ 1,615.00	\$ 1,695.00	\$ 1,780.00	\$ 1,860.00	\$ 1,945.00	\$ 2,030.00	\$ 2,110.00	\$ 2,200.00	\$ 2,280.00	\$ 2,365.00	\$ 2,445.00	\$ 2,525.00	\$ 2,605.00	\$ 2,705.00
				HEAT OUTPUT 75/65/20°C   WATTS																						
				154	185	215	245	276	306	336	367	397	427	457	488	518	548	579	609	639	669	700	730	760	791	821
				HEAT OUTPUT 55/45/20°C   WATTS																						
				70	84	97	111	125	138	152	166	179	193	207	221	234	248	262	275	289	303	316	330	344	358	371

PRODUCT CODE	VERSION	DEPTH	WIDTH	LENGTH (mm)																						
				800	900	1000	1100	1200	1300	1400	1500	1600	1700	1800	1900	2000	2100	2200	2300	2400	2500	2600	2700	2800	2900	3000
LFKO-*/15/26-V1U1PO	ECONOMIC	150mm	260mm	\$ 850.00	\$ 925.00	\$ 995.00	\$ 1,070.00	\$ 1,145.00	\$ 1,215.00	\$ 1,305.00	\$ 1,380.00	\$ 1,455.00	\$ 1,530.00	\$ 1,600.00	\$ 1,675.00	\$ 1,750.00	\$ 1,825.00	\$ 1,895.00	\$ 1,970.00	\$ 2,040.00	\$ 2,115.00	\$ 2,185.00	\$ 2,260.00	\$ 2,335.00	\$ 2,410.00	\$ 2,495.00
LFKO-*/15/26-V5U1PO	EXCLUSIVE	150mm	260mm	\$ 905.00	\$ 990.00	\$ 1,075.00	\$ 1,155.00	\$ 1,240.00	\$ 1,325.00	\$ 1,425.00	\$ 1,510.00	\$ 1,595.00	\$ 1,680.00	\$ 1,760.00	\$ 1,850.00	\$ 1,930.00	\$ 2,015.00	\$ 2,100.00	\$ 2,185.00	\$ 2,270.00	\$ 2,350.00	\$ 2,440.00	\$ 2,520.00	\$ 2,605.00	\$ 2,690.00	\$ 2,790.00
				HEAT OUTPUT 75/65/20°C   WATTS																						
				238	284	331	378	424	471	517	564	611	657	704	750	797	844	890	937	983	1030	1077	1123	1170	1216	1263
				HEAT OUTPUT 55/45/20°C   WATTS																						
				109	131	152	173	195	216	238	259	280	302	323	345	366	387	409	430	452	473	494	516	537	559	580

PRODUCT CODE	VERSION	DEPTH	WIDTH	LENGTH (mm)																						
				800	900	1000	1100	1200	1300	1400	1500	1600	1700	1800	1900	2000	2100	2200	2300	2400	2500	2600	2700	2800	2900	3000
LFKO-*/15/32-V1U1PO	ECONOMIC	150mm	320mm	\$ 965.00	\$ 1,055.00	\$ 1,140.00	\$ 1,230.00	\$ 1,320.00	\$ 1,405.00	\$ 1,510.00	\$ 1,595.00	\$ 1,690.00	\$ 1,780.00	\$ 1,865.00	\$ 1,955.00	\$ 2,040.00	\$ 2,130.00	\$ 2,215.00	\$ 2,305.00	\$ 2,400.00	\$ 2,490.00	\$ 2,575.00	\$ 2,665.00	\$ 2,755.00	\$ 2,845.00	\$ 2,945.00
LFKO-*/15/32-V5U1PO	EXCLUSIVE	150mm	320mm	\$ 1,040.00	\$ 1,145.00	\$ 1,245.00	\$ 1,350.00	\$ 1,455.00	\$ 1,555.00	\$ 1,675.00	\$ 1,775.00	\$ 1,880.00	\$ 1,985.00	\$ 2,085.00	\$ 2,190.00	\$ 2,295.00	\$ 2,400.00	\$ 2,500.00	\$ 2,605.00	\$ 2,715.00	\$ 2,815.00	\$ 2,920.00	\$ 3,025.00	\$ 3,125.00	\$ 3,225.00	\$ 3,345.00
				HEAT OUTPUT 75/65/20°C   WATTS																						
				314	376	438	499	561	623	684	746	807	869	931	992	1054	1116	1177	1239	1301	1362	1424	1485	1547	1609	1670
				HEAT OUTPUT 55/45/20°C   WATTS																						
				145	173	202	230	259	287	315	344	372	401	429	457	486	514	543	571	599	628	656	685	713	741	770

PRODUCT CODE	VERSION	DEPTH	WIDTH	LENGTH (mm)																						
				800	900	1000	1100	1200	1300	1400	1500	1600	1700	1800	1900	2000	2100	2200	2300	2400	2500	2600	2700	2800	2900	3000
LFKO-*/15/40-V1U1PO	ECONOMIC	150mm	400mm	\$ 1,295.00	\$ 1,415.00	\$ 1,535.00	\$ 1,660.00	\$ 1,780.00	\$ 1,900.00	\$ 2,040.00	\$ 2,160.00	\$ 2,285.00	\$ 2,405.00	\$ 2,525.00	\$ 2,650.00	\$ 2,770.00	\$ 2,890.00	\$ 3,010.00	\$ 3,130.00	\$ 3,265.00	\$ 3,385.00	\$ 3,505.00	\$ 3,625.00	\$ 3,745.00	\$ 3,870.00	\$ 4,005.00
LFKO-*/15/40-V5U1PO	EXCLUSIVE	150mm	400mm	\$ 1,405.00	\$ 1,545.00	\$ 1,685.00	\$ 1,835.00	\$ 1,975.00	\$ 2,115.00	\$ 2,275.00	\$ 2,420.00	\$ 2,565.00	\$ 2,705.00	\$ 2,850.00	\$ 2,995.00	\$ 3,135.00	\$ 3,280.00	\$ 3,420.00	\$ 3,560.00	\$ 3,715.00	\$ 3,860.00	\$ 4,000.00	\$ 4,145.00	\$ 4,285.00	\$ 4,430.00	\$ 4,585.00
				HEAT OUTPUT 75/65/20°C   WATTS																						
				389	465	541	617	693	770	846	922	998	1074	1151	1227	1303	1379	1455	1532	1608	1684	1760	1836	1913	1989	2065
				HEAT OUTPUT 55/45/20°C   WATTS																						
				178	213	248	283	317	352	387	422	457	492	527	562	596	631	666	701	736	771	806	841	875	910	945

- \* ECONOMIC | Non Laquered Al/CU heat exchanger with bleed valve
- \* EXCLUSIVE | RAL 9005 BLACK Laquered Al/CU heat exchanger with bleed valve
- \* RAL 9005 Black Laquered galvanised steel case | \* Aluminium U-Frame Silver Elox | \* Metal Cover Plate
- \* Levelling set screws and 4 anchors | \* Spacers for correct installation when setting in concrete | \* Hardboard cover to protect element
- \* Measurements shown in mm, where F-Frame is fitted both length and with are increased by 30mm

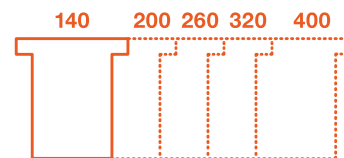
\* GRILLES ARE NOT INCLUDED IN TRENCH HEATER PRICING AND MUST BE ORDERED SEPERATELY

\* REFER TO ORDERING CODES ON PAGE



# KORAFLEX Optimal FKO

depth 150 mm

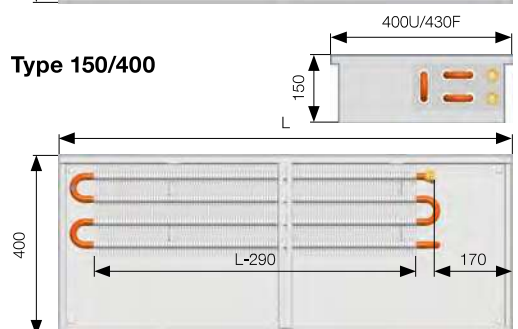
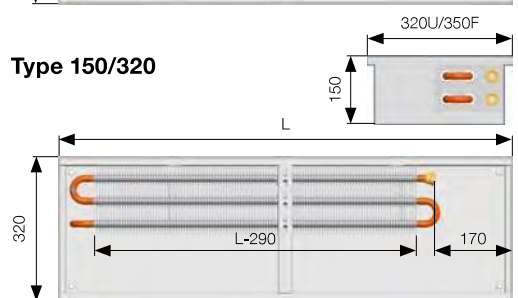
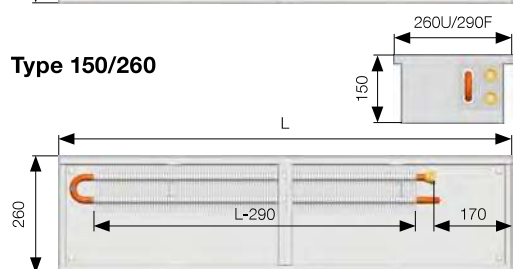
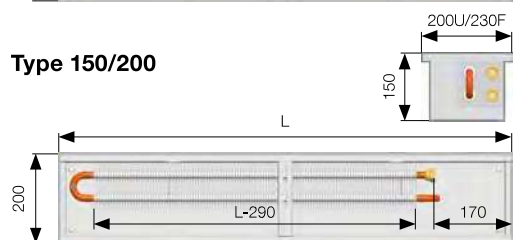
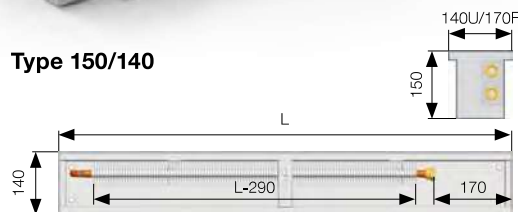
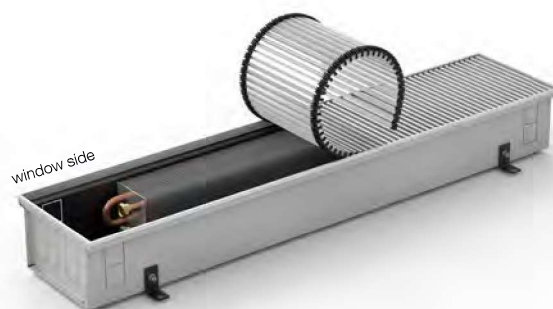


## Heat output [W] where $t_1/t_2/t_3$ / EN 16430

Measurements shown in mm including U-frame.

Length	$t_1/t_2/t_3$ [°C]	Width	Width	Width	Width	Width
		140	200	260	320	400
800	<b>75/65/20</b>	<b>92</b>	<b>154</b>	<b>238</b>	<b>314</b>	<b>389</b>
	55/45/20	42	70	109	145	178
900	<b>75/65/20</b>	<b>110</b>	<b>185</b>	<b>284</b>	<b>376</b>	<b>465</b>
	55/45/20	50	84	131	173	213
1 000	<b>75/65/20</b>	<b>127</b>	<b>215</b>	<b>331</b>	<b>438</b>	<b>541</b>
	55/45/20	58	97	152	202	248
1 100	<b>75/65/20</b>	<b>145</b>	<b>245</b>	<b>378</b>	<b>499</b>	<b>617</b>
	55/45/20	66	111	173	230	283
1 200	<b>75/65/20</b>	<b>163</b>	<b>276</b>	<b>424</b>	<b>561</b>	<b>693</b>
	55/45/20	74	125	195	259	317
1 300	<b>75/65/20</b>	<b>181</b>	<b>306</b>	<b>471</b>	<b>623</b>	<b>770</b>
	55/45/20	82	138	216	287	352
1 400	<b>75/65/20</b>	<b>199</b>	<b>336</b>	<b>517</b>	<b>684</b>	<b>846</b>
	55/45/20	90	152	238	315	387
1 500	<b>75/65/20</b>	<b>217</b>	<b>367</b>	<b>564</b>	<b>746</b>	<b>922</b>
	55/45/20	99	166	259	344	422
1 600	<b>75/65/20</b>	<b>235</b>	<b>397</b>	<b>611</b>	<b>807</b>	<b>998</b>
	55/45/20	107	179	280	372	457
1 700	<b>75/65/20</b>	<b>253</b>	<b>427</b>	<b>657</b>	<b>869</b>	<b>1074</b>
	55/45/20	115	193	302	401	492
1 800	<b>75/65/20</b>	<b>271</b>	<b>457</b>	<b>704</b>	<b>931</b>	<b>1151</b>
	55/45/20	123	207	323	429	527
1 900	<b>75/65/20</b>	<b>289</b>	<b>488</b>	<b>750</b>	<b>992</b>	<b>1227</b>
	55/45/20	131	221	345	457	562
2 000	<b>75/65/20</b>	<b>307</b>	<b>518</b>	<b>797</b>	<b>1054</b>	<b>1303</b>
	55/45/20	139	234	366	486	596
2 100	<b>75/65/20</b>	<b>325</b>	<b>548</b>	<b>844</b>	<b>1116</b>	<b>1379</b>
	55/45/20	147	248	387	514	631
2 200	<b>75/65/20</b>	<b>343</b>	<b>579</b>	<b>890</b>	<b>1177</b>	<b>1455</b>
	55/45/20	156	262	409	543	666
2 300	<b>75/65/20</b>	<b>361</b>	<b>609</b>	<b>937</b>	<b>1239</b>	<b>1532</b>
	55/45/20	164	275	430	571	701
2 400	<b>75/65/20</b>	<b>379</b>	<b>639</b>	<b>983</b>	<b>1301</b>	<b>1608</b>
	55/45/20	172	289	452	599	736
2 500	<b>75/65/20</b>	<b>397</b>	<b>669</b>	<b>1030</b>	<b>1362</b>	<b>1684</b>
	55/45/20	180	303	473	628	771
2 600	<b>75/65/20</b>	<b>415</b>	<b>700</b>	<b>1077</b>	<b>1424</b>	<b>1760</b>
	55/45/20	188	316	494	656	806
2 700	<b>75/65/20</b>	<b>433</b>	<b>730</b>	<b>1123</b>	<b>1485</b>	<b>1836</b>
	55/45/20	196	330	516	685	841
2 800	<b>75/65/20</b>	<b>451</b>	<b>760</b>	<b>1170</b>	<b>1547</b>	<b>1913</b>
	55/45/20	204	344	537	713	875
2 900	<b>75/65/20</b>	<b>469</b>	<b>791</b>	<b>1216</b>	<b>1609</b>	<b>1989</b>
	55/45/20	212	358	559	741	910
3 000	<b>75/65/20</b>	<b>487</b>	<b>821</b>	<b>1263</b>	<b>1670</b>	<b>2065</b>
	55/45/20	221	371	580	770	945

Temperature exponent [n] **1.5470 1.5528 1.5240 1.5165 1.5296**



Measurements shown in mm. Where the F-frame is fitted, both the length and width increase by 30mm.

### Further information

FK Mounting p. 47, Accessories p. 50, Connections and connection measurements p. 52, Technical data p. 54, Thermal gradient conversion p. 55, Convector pressure losses p. 56, Grilles and frames p. 120–127



# LICON TRENCH HEATERS | KORAFLEX OPTIMAL FKO | 2023 | DEPTH 190mm

PRODUCT CODE	VERSION	DEPTH	WIDTH	LENGTH (mm)																					
				800	900	1000	1100	1200	1300	1400	1500	1600	1700	1800	1900	2000	2100	2200	2300	2400	2500	2600	2700	2800	2900
LFKO-***/19/14-P1U1PO	ECONOMIC	190mm	140mm																						
LFKO-***/19/14-P5U1PO	EXCLUSIVE	190mm	140mm																						
		HEAT OUTPUT 75/65/20°C   WATTS																							
		HEAT OUTPUT 55/45/20°C   WATTS																							

PRODUCT CODE	VERSION	DEPTH	WIDTH	LENGTH (mm)																						
				800	900	1000	1100	1200	1300	1400	1500	1600	1700	1800	1900	2000	2100	2200	2300	2400	2500	2600	2700	2800	2900	3000
LFKO-***/19/20-V1U1PO	ECONOMIC	190mm	200mm	\$ 840.00	\$ 915.00	\$ 990.00	\$ 1,065.00	\$ 1,140.00	\$ 1,210.00	\$ 1,295.00	\$ 1,365.00	\$ 1,450.00	\$ 1,525.00	\$ 1,595.00	\$ 1,675.00	\$ 1,745.00	\$ 1,820.00	\$ 1,895.00	\$ 1,965.00	\$ 2,050.00	\$ 2,120.00	\$ 2,195.00	\$ 2,270.00	\$ 2,345.00	\$ 2,420.00	\$ 2,505.00
LFKO-***/19/20-V5U1PO	EXCLUSIVE	190mm	200mm	\$ 895.00	\$ 980.00	\$ 1,065.00	\$ 1,150.00	\$ 1,235.00	\$ 1,320.00	\$ 1,415.00	\$ 1,500.00	\$ 1,590.00	\$ 1,675.00	\$ 1,760.00	\$ 1,845.00	\$ 1,930.00	\$ 2,015.00	\$ 2,100.00	\$ 2,185.00	\$ 2,270.00	\$ 2,355.00	\$ 2,445.00	\$ 2,530.00	\$ 2,615.00	\$ 2,700.00	\$ 2,795.00
		HEAT OUTPUT 75/65/20°C   WATTS		172	205	239	273	307	340	374	408	441	475	509	542	576	610	643	677	711	744	778	812	845	879	913
		HEAT OUTPUT 55/45/20°C   WATTS		79	94	110	125	141	156	171	187	202	218	233	249	264	279	295	310	326	341	357	372	388	403	418

PRODUCT CODE	VERSION	DEPTH	WIDTH	LENGTH (mm)																						
				800	900	1000	1100	1200	1300	1400	1500	1600	1700	1800	1900	2000	2100	2200	2300	2400	2500	2600	2700	2800	2900	3000
LFKO-***/19/26-V1U1PO	ECONOMIC	190mm	260mm	\$ 890.00	\$ 970.00	\$ 1,045.00	\$ 1,120.00	\$ 1,200.00	\$ 1,275.00	\$ 1,365.00	\$ 1,445.00	\$ 1,520.00	\$ 1,600.00	\$ 1,675.00	\$ 1,755.00	\$ 1,830.00	\$ 1,910.00	\$ 1,985.00	\$ 2,060.00	\$ 2,145.00	\$ 2,220.00	\$ 2,300.00	\$ 2,375.00	\$ 2,450.00	\$ 2,530.00	\$ 2,620.00
LFKO-***/19/26-V5U1PO	EXCLUSIVE	190mm	260mm	\$ 945.00	\$ 1,035.00	\$ 1,120.00	\$ 1,210.00	\$ 1,295.00	\$ 1,385.00	\$ 1,480.00	\$ 1,570.00	\$ 1,665.00	\$ 1,750.00	\$ 1,840.00	\$ 1,925.00	\$ 2,015.00	\$ 2,105.00	\$ 2,190.00	\$ 2,280.00	\$ 2,375.00	\$ 2,460.00	\$ 2,550.00	\$ 2,635.00	\$ 2,720.00	\$ 2,810.00	\$ 2,910.00
		HEAT OUTPUT 75/65/20°C   WATTS		260	311	362	413	464	515	566	617	688	719	770	821	872	923	974	1025	1076	1127	1178	1229	1280	1331	1382
		HEAT OUTPUT 55/45/20°C   WATTS		121	145	168	192	216	240	263	287	311	334	358	382	406	429	453	477	500	524	548	572	595	619	643

PRODUCT CODE	VERSION	DEPTH	WIDTH	LENGTH (mm)																						
				800	900	1000	1100	1200	1300	1400	1500	1600	1700	1800	1900	2000	2100	2200	2300	2400	2500	2600	2700	2800	2900	3000
LFKO-***/19/32-V1U1PO	ECONOMIC	190mm	320mm	\$ 1,020.00	\$ 1,115.00	\$ 1,205.00	\$ 1,300.00	\$ 1,390.00	\$ 1,485.00	\$ 1,590.00	\$ 1,680.00	\$ 1,780.00	\$ 1,870.00	\$ 1,965.00	\$ 2,055.00	\$ 2,150.00	\$ 2,245.00	\$ 2,335.00	\$ 2,430.00	\$ 2,525.00	\$ 2,620.00	\$ 2,715.00	\$ 2,805.00	\$ 2,895.00	\$ 2,990.00	\$ 3,095.00
LFKO-***/19/32-V5U1PO	EXCLUSIVE	190mm	320mm	\$ 1,095.00	\$ 1,205.00	\$ 1,310.00	\$ 1,420.00	\$ 1,530.00	\$ 1,635.00	\$ 1,750.00	\$ 1,860.00	\$ 1,975.00	\$ 2,080.00	\$ 2,185.00	\$ 2,300.00	\$ 2,400.00	\$ 2,510.00	\$ 2,615.00	\$ 2,725.00	\$ 2,835.00	\$ 2,945.00	\$ 3,055.00	\$ 3,160.00	\$ 3,270.00	\$ 3,375.00	\$ 3,495.00
		HEAT OUTPUT 75/65/20°C   WATTS		384	459	534	610	685	760	835	911	986	1061	1136	1212	1287	1362	1438	1513	1588	1663	1739	1714	1889	1964	2040
		HEAT OUTPUT 55/45/20°C   WATTS		176	210	245	279	314	348	383	417	541	486	520	555	589	624	658	693	727	762	796	831	865	900	934

PRODUCT CODE	VERSION	DEPTH	WIDTH	LENGTH (mm)																						
				800	900	1000	1100	1200	1300	1400	1500	1600	1700	1800	1900	2000	2100	2200	2300	2400	2500	2600	2700	2800	2900	3000
LFKO-***/19/40-V1U1PO	ECONOMIC	190mm	400mm	\$ 1,335.00	\$ 1,460.00	\$ 1,585.00	\$ 1,705.00	\$ 1,830.00	\$ 1,955.00	\$ 2,085.00	\$ 2,210.00	\$ 2,345.00	\$ 2,465.00	\$ 2,585.00	\$ 2,715.00	\$ 2,835.00	\$ 2,960.00	\$ 3,080.00	\$ 3,205.00	\$ 3,340.00	\$ 3,460.00	\$ 3,585.00	\$ 3,710.00	\$ 3,830.00	\$ 3,950.00	\$ 4,090.00
LFKO-***/19/40-V5U1PO	EXCLUSIVE	190mm	400mm	\$ 1,445.00	\$ 1,590.00	\$ 1,735.00	\$ 1,880.00	\$ 2,025.00	\$ 2,170.00	\$ 2,325.00	\$ 2,470.00	\$ 2,625.00	\$ 2,770.00	\$ 2,910.00	\$ 3,060.00	\$ 3,200.00	\$ 3,350.00	\$ 3,490.00	\$ 3,635.00	\$ 3,790.00	\$ 3,935.00	\$ 4,080.00	\$ 4,225.00	\$ 4,370.00	\$ 4,515.00	\$ 4,670.00
		HEAT OUTPUT 75/65/20°C   WATTS		526	629	732	835	938	1041	1144	1248	1351	1454	1557	1660	1763	1866	1969	2072	2175	2278	2382	2485	2588	2691	2794
		HEAT OUTPUT 55/45/20°C   WATTS		178	213	248	283	317	352	387	422	457	492	527	562	596	631	666	701	736	771	806	841	875	910	945

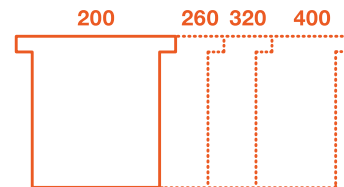
- \* ECONOMIC | Non Laquered Al/CU heat exchanger with bleed valve
- \* EXCLUSIVE | RAL 9005 BLACK Laquered Al/CU heat exchanger with bleed valve
- \* RAL 9005 Black Laquered galvanised steel case | \* Aluminium U-Frame Silver Elox | \* Metal Cover Plate
- \* Levelling set screws and 4 anchors | \* Spacers for correct installation when setting in concrete | \* Hardboard cover to protect element
- \* Measurements shown in mm, where F-Frame is fitted both length and with are increased by 30mm

\* GRILLES ARE NOT INCLUDED IN TRENCH HEATER PRICING AND MUST BE ORDERED SEPERATELY

\* REFER TO ORDERING CODES ON PAGE

# KORAFLEX Optimal FKO

depth 190 mm



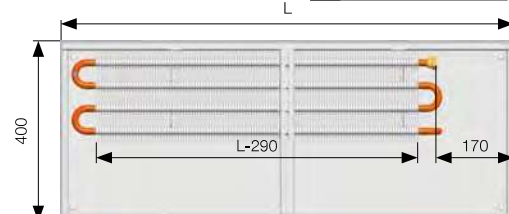
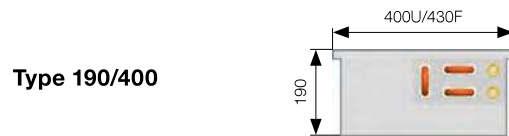
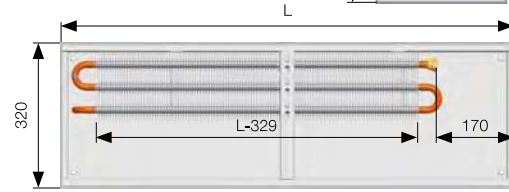
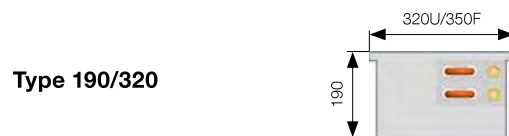
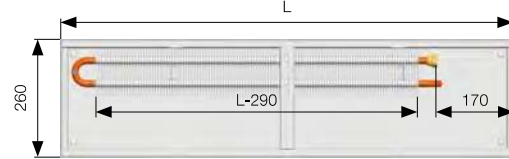
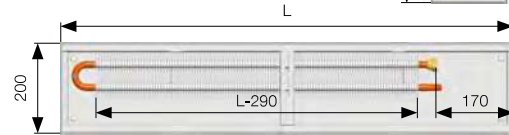
Optimal FKO

## Heat output [W] where $t_1/t_2/t_3$ / EN 16430

Measurements shown in mm including U-frame.

Length	$t_1/t_2/t_3$ [°C]	Width 200	Width 260	Width 320	Width 400
800	<b>75/65/20</b>	<b>172</b>	<b>260</b>	<b>384</b>	<b>526</b>
	55/45/20	79	121	176	240
900	<b>75/65/20</b>	<b>205</b>	<b>311</b>	<b>459</b>	<b>629</b>
	55/45/20	94	145	210	287
1 000	<b>75/65/20</b>	<b>239</b>	<b>362</b>	<b>534</b>	<b>732</b>
	55/45/20	110	168	245	335
1 100	<b>75/65/20</b>	<b>273</b>	<b>413</b>	<b>610</b>	<b>835</b>
	55/45/20	125	192	279	382
1 200	<b>75/65/20</b>	<b>307</b>	<b>464</b>	<b>685</b>	<b>938</b>
	55/45/20	141	216	314	429
1 300	<b>75/65/20</b>	<b>340</b>	<b>515</b>	<b>760</b>	<b>1041</b>
	55/45/20	156	240	348	476
1 400	<b>75/65/20</b>	<b>374</b>	<b>566</b>	<b>835</b>	<b>1144</b>
	55/45/20	171	263	383	523
1 500	<b>75/65/20</b>	<b>408</b>	<b>617</b>	<b>911</b>	<b>1248</b>
	55/45/20	187	287	417	570
1 600	<b>75/65/20</b>	<b>441</b>	<b>668</b>	<b>986</b>	<b>1351</b>
	55/45/20	202	311	451	617
1 700	<b>75/65/20</b>	<b>475</b>	<b>719</b>	<b>1061</b>	<b>1454</b>
	55/45/20	218	334	486	664
1 800	<b>75/65/20</b>	<b>509</b>	<b>770</b>	<b>1136</b>	<b>1557</b>
	55/45/20	233	358	520	711
1 900	<b>75/65/20</b>	<b>542</b>	<b>821</b>	<b>1212</b>	<b>1660</b>
	55/45/20	249	382	555	759
2 000	<b>75/65/20</b>	<b>576</b>	<b>872</b>	<b>1287</b>	<b>1763</b>
	55/45/20	264	406	589	806
2 100	<b>75/65/20</b>	<b>610</b>	<b>923</b>	<b>1362</b>	<b>1866</b>
	55/45/20	279	429	624	853
2 200	<b>75/65/20</b>	<b>643</b>	<b>974</b>	<b>1438</b>	<b>1969</b>
	55/45/20	295	453	658	900
2 300	<b>75/65/20</b>	<b>677</b>	<b>1025</b>	<b>1513</b>	<b>2072</b>
	55/45/20	310	477	693	947
2 400	<b>75/65/20</b>	<b>711</b>	<b>1076</b>	<b>1588</b>	<b>2175</b>
	55/45/20	326	500	727	994
2 500	<b>75/65/20</b>	<b>744</b>	<b>1127</b>	<b>1663</b>	<b>2278</b>
	55/45/20	341	524	762	1041
2 600	<b>75/65/20</b>	<b>778</b>	<b>1178</b>	<b>1739</b>	<b>2382</b>
	55/45/20	357	548	796	1088
2 700	<b>75/65/20</b>	<b>812</b>	<b>1229</b>	<b>1814</b>	<b>2485</b>
	55/45/20	372	572	831	1136
2 800	<b>75/65/20</b>	<b>845</b>	<b>1280</b>	<b>1889</b>	<b>2588</b>
	55/45/20	388	595	865	1183
2 900	<b>75/65/20</b>	<b>879</b>	<b>1331</b>	<b>1964</b>	<b>2691</b>
	55/45/20	403	619	900	1230
3 000	<b>75/65/20</b>	<b>913</b>	<b>1382</b>	<b>2040</b>	<b>2794</b>
	55/45/20	418	643	934	1277

Temperature exponent [n]    **1.5264**    **1.4983**    **1.5283**    **1.5329**



Measurements shown in mm. Where the F-frame is fitted, both the length and width increase by 30mm.

## Further information

FK Mounting p. 47, Accessories p. 50, Connections and connection measurements p. 52, Technical data p. 54, Thermal gradient conversion p. 55, Convector pressure losses p. 56, Grilles and frames p. 120–127



# LICON TRENCH HEATERS | KORAFLEX OPTIMAL FKO | 2023 | DEPTH 300mm

PRODUCT CODE	VERSION	DEPTH	WIDTH	LENGTH (mm)																					
				800	900	1000	1100	1200	1300	1400	1500	1600	1700	1800	1900	2000	2100	2200	2300	2400	2500	2600	2700	2800	2900
LFKO-***30/14-P1U1P0	ECONOMIC	300mm	140mm																						
LFKO-***30/14-P5U1P0	EXCLUSIVE	300mm	140mm																						
		HEAT OUTPUT 75/65/20°C   WATTS																							
		HEAT OUTPUT 55/45/20°C   WATTS																							

PRODUCT CODE	VERSION	DEPTH	WIDTH	LENGTH (mm)																					
				800	900	1000	1100	1200	1300	1400	1500	1600	1700	1800	1900	2000	2100	2200	2300	2400	2500	2600	2700	2800	2900
LFKO-***30/20-V1U1P0	ECONOMIC	300mm	200mm																						
LFKO-***30/20-V5U1P0	EXCLUSIVE	300mm	200mm																						
		HEAT OUTPUT 75/65/20°C   WATTS																							
		HEAT OUTPUT 55/45/20°C   WATTS																							

PRODUCT CODE	VERSION	DEPTH	WIDTH	LENGTH (mm)																						
				800	900	1000	1100	1200	1300	1400	1500	1600	1700	1800	1900	2000	2100	2200	2300	2400	2500	2600	2700	2800	2900	3000
LFKO-***30/26-V1U1P0	ECONOMIC	300mm	260mm	\$ 990.00	\$ 1,075.00	\$ 1,165.00	\$ 1,260.00	\$ 1,350.00	\$ 1,440.00	\$ 1,540.00	\$ 1,630.00	\$ 1,725.00	\$ 1,815.00	\$ 1,905.00	\$ 2,000.00	\$ 2,105.00	\$ 2,195.00	\$ 2,290.00	\$ 2,380.00	\$ 2,475.00	\$ 2,565.00	\$ 2,660.00	\$ 2,750.00	\$ 2,840.00	\$ 2,930.00	\$ 3,030.00
LFKO-***30/26-V5U1P0	EXCLUSIVE	300mm	260mm	\$ 1,035.00	\$ 1,135.00	\$ 1,230.00	\$ 1,335.00	\$ 1,435.00	\$ 1,535.00	\$ 1,650.00	\$ 1,750.00	\$ 1,845.00	\$ 1,945.00	\$ 2,050.00	\$ 2,150.00	\$ 2,265.00	\$ 2,365.00	\$ 2,465.00	\$ 2,570.00	\$ 2,670.00	\$ 2,770.00	\$ 2,875.00	\$ 2,975.00	\$ 3,075.00	\$ 3,175.00	\$ 3,285.00
		HEAT OUTPUT 75/65/20°C   WATTS		308	368	428	489	549	610	670	730	791	851	911	972	1032	1092	1153	1213	1273	1334	1394	1454	1515	1575	1636
		HEAT OUTPUT 55/45/20°C   WATTS		144	173	201	229	258	286	314	343	371	399	427	456	484	512	541	569	597	626	654	682	710	739	767

PRODUCT CODE	VERSION	DEPTH	WIDTH	LENGTH (mm)																						
				800	900	1000	1100	1200	1300	1400	1500	1600	1700	1800	1900	2000	2100	2200	2300	2400	2500	2600	2700	2800	2900	3000
LFKO-***30/32-V1U1P0	ECONOMIC	300mm	320mm	\$ 1,190.00	\$ 1,295.00	\$ 1,405.00	\$ 1,520.00	\$ 1,630.00	\$ 1,740.00	\$ 1,865.00	\$ 1,975.00	\$ 2,085.00	\$ 2,195.00	\$ 2,310.00	\$ 2,420.00	\$ 2,550.00	\$ 2,660.00	\$ 2,775.00	\$ 2,885.00	\$ 3,005.00	\$ 3,115.00	\$ 3,225.00	\$ 3,340.00	\$ 3,450.00	\$ 3,560.00	\$ 3,680.00
LFKO-***30/32-V5U1P0	EXCLUSIVE	300mm	320mm	\$ 1,260.00	\$ 1,385.00	\$ 1,510.00	\$ 1,635.00	\$ 1,760.00	\$ 1,885.00	\$ 2,020.00	\$ 2,145.00	\$ 2,270.00	\$ 2,395.00	\$ 2,520.00	\$ 2,650.00	\$ 2,795.00	\$ 2,920.00	\$ 3,045.00	\$ 3,170.00	\$ 3,300.00	\$ 3,425.00	\$ 3,550.00	\$ 3,675.00	\$ 3,805.00	\$ 3,930.00	\$ 4,065.00
		HEAT OUTPUT 75/65/20°C   WATTS		457	546	636	725	815	904	994	1083	1173	1262	1352	1441	1531	1621	1710	1800	1889	1979	2068	2158	2247	2337	2426
		HEAT OUTPUT 55/45/20°C   WATTS		215	257	299	341	383	425	467	509	551	594	636	678	720	762	804	846	888	930	972	1015	1057	1099	1141

PRODUCT CODE	VERSION	DEPTH	WIDTH	LENGTH (mm)																						
				800	900	1000	1100	1200	1300	1400	1500	1600	1700	1800	1900	2000	2100	2200	2300	2400	2500	2600	2700	2800	2900	3000
LFKO-***30/40-V1U1P0	ECONOMIC	300mm	400mm	\$ 1,415.00	\$ 1,540.00	\$ 1,675.00	\$ 1,805.00	\$ 1,940.00	\$ 2,075.00	\$ 2,215.00	\$ 2,350.00	\$ 2,485.00	\$ 2,615.00	\$ 2,750.00	\$ 2,885.00	\$ 3,040.00	\$ 3,170.00	\$ 3,305.00	\$ 3,440.00	\$ 3,580.00	\$ 3,710.00	\$ 3,850.00	\$ 3,930.00	\$ 4,110.00	\$ 4,245.00	\$ 4,390.00
LFKO-***30/40-V5U1P0	EXCLUSIVE	300mm	400mm	\$ 1,510.00	\$ 1,660.00	\$ 1,805.00	\$ 1,960.00	\$ 2,115.00	\$ 2,265.00	\$ 2,430.00	\$ 2,575.00	\$ 2,730.00	\$ 2,880.00	\$ 3,030.00	\$ 3,185.00	\$ 3,365.00	\$ 3,515.00	\$ 3,665.00	\$ 3,815.00	\$ 3,980.00	\$ 4,130.00	\$ 4,280.00	\$ 4,435.00	\$ 4,585.00	\$ 4,735.00	\$ 4,900.00
		HEAT OUTPUT 75/65/20°C   WATTS		559	669	779	888	998	1107	1217	1327	1436	1546	1656	1765	1875	1985	2094	2204	2314	2423	2533	2643	2752	2862	2971
		HEAT OUTPUT 55/45/20°C   WATTS		263	315	367	418	470	522	573	625	677	728	780	832	883	935	987	1038	1090	1142	1193	1245	1297	1348	1400

- \* ECONOMIC | Non Laquered Al/CU heat exchanger with bleed valve
- \* EXCLUSIVE | RAL 9005 BLACK Laquered Al/CU heat exchanger with bleed valve
- \* RAL 9005 Black Laquered galvanised steel case | \* Aluminium U-Frame Silver Elox | \* Metal Cover Plate
- \* Levelling set screws and 4 anchors | \* Spacers for correct installation when setting in concrete | \* Hardboard cover to protect element
- \* Measurements shown in mm, where F-Frame is fitted both length and with are increased by 30mm
- \* GRILLES ARE NOT INCLUDED IN TRENCH HEATER PRICING AND MUST BE ORDERED SEPERATELY
- \* REFER TO ORDERING CODES ON PAGE

# KORAFLEX Optimal FKO

depth 300 mm

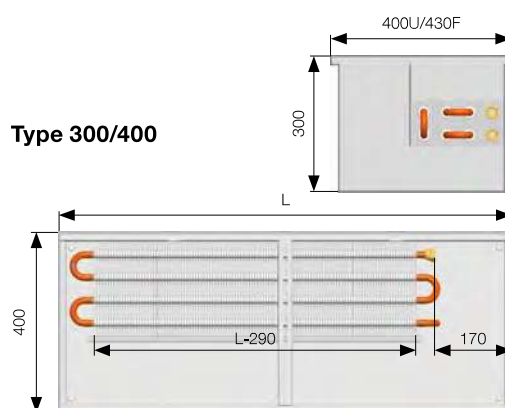
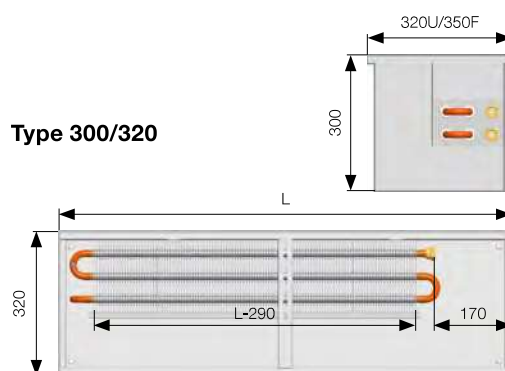
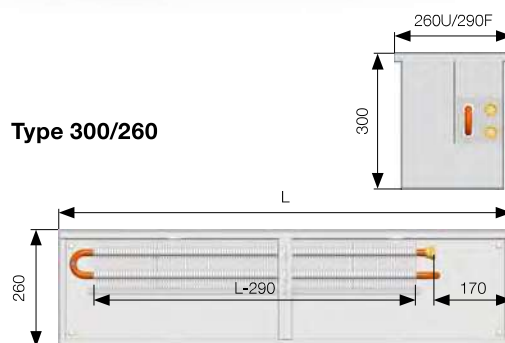
260 320 400



## Heat output [W] where $t_1/t_2/t_3$ / EN 16430

Measurements shown in mm including U-frame.

Length	$t_1/t_2/t_3$ [°C]	Width 260	Width 320	Width 400
800	<b>75/65/20</b>	<b>308</b>	<b>457</b>	<b>559</b>
	55/45/20	144	215	263
900	<b>75/65/20</b>	<b>368</b>	<b>546</b>	<b>669</b>
	55/45/20	173	257	315
1 000	<b>75/65/20</b>	<b>428</b>	<b>636</b>	<b>779</b>
	55/45/20	201	299	367
1 100	<b>75/65/20</b>	<b>489</b>	<b>725</b>	<b>888</b>
	55/45/20	229	341	418
1 200	<b>75/65/20</b>	<b>549</b>	<b>815</b>	<b>998</b>
	55/45/20	258	383	470
1 300	<b>75/65/20</b>	<b>610</b>	<b>904</b>	<b>1107</b>
	55/45/20	286	425	522
1 400	<b>75/65/20</b>	<b>670</b>	<b>994</b>	<b>1217</b>
	55/45/20	314	467	573
1 500	<b>75/65/20</b>	<b>730</b>	<b>1083</b>	<b>1327</b>
	55/45/20	343	509	625
1 600	<b>75/65/20</b>	<b>791</b>	<b>1173</b>	<b>1436</b>
	55/45/20	371	551	677
1 700	<b>75/65/20</b>	<b>851</b>	<b>1262</b>	<b>1546</b>
	55/45/20	399	594	728
1 800	<b>75/65/20</b>	<b>911</b>	<b>1352</b>	<b>1656</b>
	55/45/20	427	636	780
1 900	<b>75/65/20</b>	<b>972</b>	<b>1441</b>	<b>1765</b>
	55/45/20	456	678	832
2 000	<b>75/65/20</b>	<b>1032</b>	<b>1531</b>	<b>1875</b>
	55/45/20	484	720	883
2 100	<b>75/65/20</b>	<b>1092</b>	<b>1621</b>	<b>1985</b>
	55/45/20	512	762	935
2 200	<b>75/65/20</b>	<b>1153</b>	<b>1710</b>	<b>2094</b>
	55/45/20	541	804	987
2 300	<b>75/65/20</b>	<b>1213</b>	<b>1800</b>	<b>2204</b>
	55/45/20	569	846	1038
2 400	<b>75/65/20</b>	<b>1273</b>	<b>1889</b>	<b>2314</b>
	55/45/20	597	888	1090
2 500	<b>75/65/20</b>	<b>1334</b>	<b>1979</b>	<b>2423</b>
	55/45/20	626	930	1142
2 600	<b>75/65/20</b>	<b>1394</b>	<b>2068</b>	<b>2533</b>
	55/45/20	654	972	1193
2 700	<b>75/65/20</b>	<b>1454</b>	<b>2158</b>	<b>2643</b>
	55/45/20	682	1015	1245
2 800	<b>75/65/20</b>	<b>1515</b>	<b>2247</b>	<b>2752</b>
	55/45/20	710	1057	1297
2 900	<b>75/65/20</b>	<b>1575</b>	<b>2337</b>	<b>2862</b>
	55/45/20	739	1099	1348
3 000	<b>75/65/20</b>	<b>1636</b>	<b>2426</b>	<b>2971</b>
	55/45/20	767	1141	1400
<b>Temperature exponent [n]</b>		<b>1.4820</b>	<b>1.4769</b>	<b>1.4734</b>



Measurements shown in mm. Where the F-frame is fitted, both the length and width increase by 30mm.

### Further information

FK Mounting p. 47, Accessories p. 50, Connections and connection measurements p. 52, Technical data p. 54, Thermal gradient conversion p. 55, Convector pressure losses p. 56, Grilles and frames p. 120–127





# LICON TRENCH HEATERS | KORAFLEX OPTIMAL FKO | 2023 | DEPTH 450mm

PRODUCT CODE	VERSION	DEPTH	WIDTH	LENGTH (mm)																					
				800	900	1000	1100	1200	1300	1400	1500	1600	1700	1800	1900	2000	2100	2200	2300	2400	2500	2600	2700	2800	2900
LFKO-***/45/14-P1U1P0	ECONOMIC	450mm	140mm																						
LFKO-***/45/14-P5U1P0	EXCLUSIVE	450mm	140mm																						
		HEAT OUTPUT 75/65/20°C   WATTS																							
		HEAT OUTPUT 55/45/20°C   WATTS																							

PRODUCT CODE	VERSION	DEPTH	WIDTH	LENGTH (mm)																					
				800	900	1000	1100	1200	1300	1400	1500	1600	1700	1800	1900	2000	2100	2200	2300	2400	2500	2600	2700	2800	2900
LFKO-***/45/20-V1U1P0	ECONOMIC	450mm	200mm																						
LFKO-***/45/20-V5U1P0	EXCLUSIVE	450mm	200mm																						
		HEAT OUTPUT 75/65/20°C   WATTS																							
		HEAT OUTPUT 55/45/20°C   WATTS																							

PRODUCT CODE	VERSION	DEPTH	WIDTH	LENGTH (mm)																							
				800	900	1000	1100	1200	1300	1400	1500	1600	1700	1800	1900	2000	2100	2200	2300	2400	2500	2600	2700	2800	2900	3000	
LFKO-***/45/26-V1U1P0	ECONOMIC	450mm	260mm	\$ 1,195.00	\$ 1,305.00	\$ 1,425.00	\$ 1,535.00	\$ 1,650.00	\$ 1,760.00	\$ 1,890.00	\$ 2,000.00	\$ 2,115.00	\$ 2,230.00	\$ 2,340.00	\$ 2,455.00	\$ 2,585.00	\$ 2,700.00	\$ 2,810.00	\$ 2,925.00	\$ 3,045.00	\$ 3,160.00	\$ 3,285.00	\$ 3,400.00	\$ 3,510.00	\$ 3,625.00	\$ 3,740.00	
LFKO-***/45/26-V5U1P0	EXCLUSIVE	450mm	260mm	\$ 1,240.00	\$ 1,365.00	\$ 1,490.00	\$ 1,610.00	\$ 1,735.00	\$ 1,860.00	\$ 1,990.00	\$ 2,115.00	\$ 2,235.00	\$ 2,360.00	\$ 2,485.00	\$ 2,605.00	\$ 2,745.00	\$ 2,870.00	\$ 2,995.00	\$ 3,115.00	\$ 3,245.00	\$ 3,365.00	\$ 3,500.00	\$ 3,625.00	\$ 3,745.00	\$ 3,870.00	\$ 3,995.00	
		HEAT OUTPUT 75/65/20°C   WATTS			426	510	594	677	761	845	928	1012	1095	1179	1263	1346	1430	1514	1597	1681	1765	1848	1932	2015	2099	2183	2266
		HEAT OUTPUT 55/45/20°C   WATTS			202	242	282	322	361	401	441	480	520	560	599	639	679	719	758	798	838	877	917	957	996	1036	1076

PRODUCT CODE	VERSION	DEPTH	WIDTH	LENGTH (mm)																							
				800	900	1000	1100	1200	1300	1400	1500	1600	1700	1800	1900	2000	2100	2200	2300	2400	2500	2600	2700	2800	2900	3000	
LFKO-***/45/32-V1U1P0	ECONOMIC	450mm	320mm	\$ 1,405.00	\$ 1,535.00	\$ 1,670.00	\$ 1,805.00	\$ 1,940.00	\$ 2,075.00	\$ 2,220.00	\$ 2,350.00	\$ 2,485.00	\$ 2,620.00	\$ 2,755.00	\$ 2,885.00	\$ 3,040.00	\$ 3,175.00	\$ 3,310.00	\$ 3,440.00	\$ 3,580.00	\$ 3,720.00	\$ 3,860.00	\$ 4,000.00	\$ 4,130.00	\$ 4,265.00	\$ 4,395.00	
LFKO-***/45/32-V5U1P0	EXCLUSIVE	450mm	320mm	\$ 1,475.00	\$ 1,625.00	\$ 1,770.00	\$ 1,920.00	\$ 2,065.00	\$ 2,215.00	\$ 2,375.00	\$ 2,520.00	\$ 2,670.00	\$ 2,820.00	\$ 2,965.00	\$ 3,115.00	\$ 3,285.00	\$ 3,430.00	\$ 3,580.00	\$ 3,725.00	\$ 3,880.00	\$ 4,025.00	\$ 4,190.00	\$ 4,335.00	\$ 4,485.00	\$ 4,630.00	\$ 4,780.00	
		HEAT OUTPUT 75/65/20°C   WATTS			506	605	704	803	902	1001	1100	1199	1299	1398	1497	1596	1695	1794	1893	1992	2091	2191	2290	2389	2488	2587	2686
		HEAT OUTPUT 55/45/20°C   WATTS			237	283	330	376	423	469	515	562	608	655	701	748	794	840	887	933	980	1026	1073	1119	1165	1212	1258

PRODUCT CODE	VERSION	DEPTH	WIDTH	LENGTH (mm)																							
				800	900	1000	1100	1200	1300	1400	1500	1600	1700	1800	1900	2000	2100	2200	2300	2400	2500	2600	2700	2800	2900	3000	
LFKO-***/45/40-V1U1P0	ECONOMIC	450mm	400mm	\$ 1,625.00	\$ 1,780.00	\$ 1,935.00	\$ 2,085.00	\$ 2,245.00	\$ 2,395.00	\$ 2,560.00	\$ 2,715.00	\$ 2,865.00	\$ 3,020.00	\$ 3,170.00	\$ 3,330.00	\$ 3,510.00	\$ 3,665.00	\$ 3,815.00	\$ 3,970.00	\$ 4,130.00	\$ 4,285.00	\$ 4,455.00	\$ 4,605.00	\$ 4,760.00	\$ 4,915.00	\$ 5,065.00	
LFKO-***/45/40-V5U1P0	EXCLUSIVE	450mm	400mm	\$ 1,720.00	\$ 1,890.00	\$ 2,065.00	\$ 2,240.00	\$ 2,410.00	\$ 2,585.00	\$ 2,770.00	\$ 2,940.00	\$ 3,110.00	\$ 3,285.00	\$ 3,455.00	\$ 3,635.00	\$ 3,830.00	\$ 4,000.00	\$ 4,175.00	\$ 4,345.00	\$ 4,525.00	\$ 4,700.00	\$ 4,890.00	\$ 5,060.00	\$ 5,235.00	\$ 5,400.00	\$ 5,575.00	
		HEAT OUTPUT 75/65/20°C   WATTS			655	783	912	1040	1169	1297	1425	1554	1682	1811	1939	2068	2196	2324	2453	2581	2710	2838	2967	3095	3223	3352	3480
		HEAT OUTPUT 55/45/20°C   WATTS			309	369	430	490	551	612	672	733	793	854	914	975	1035	1096	1157	1217	1278	1338	1399	1459	1520	1580	1641

- \* ECONOMIC | Non Laquered Al/CU heat exchanger with bleed valve
- \* EXCLUSIVE | RAL 9005 BLACK Laquered Al/CU heat exchanger with bleed valve
- \* RAL 9005 Black Laquered galvanised steel case | \* Aluminium U-Frame Silver Elox | \* Metal Cover Plate
- \* Levelling set screws and 4 anchors | \* Spacers for correct installation when setting in concrete | \* Hardboard cover to protect element
- \* Measurements shown in mm, where F-Frame is fitted both length and with are increased by 30mm

\* GRILLES ARE NOT INCLUDED IN TRENCH HEATER PRICING AND MUST BE ORDERED SEPERATELY

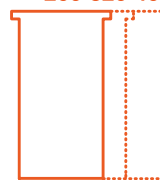
\* REFER TO ORDERING CODES ON PAGE



# KORAFLEX Optimal FKO

depth 450 mm

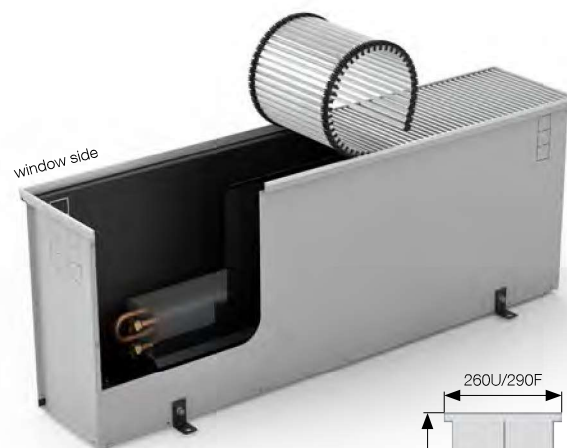
260 320 400



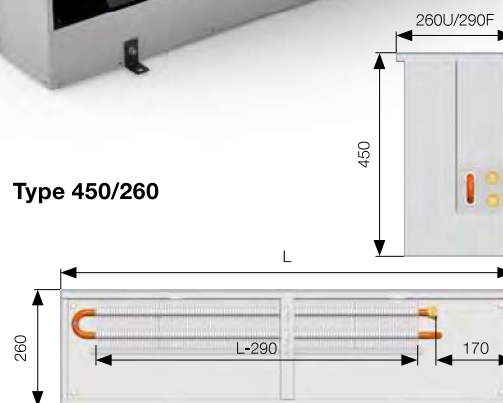
## Heat output [W] where $t_1/t_2/t_3$ / EN 16430

Measurements shown in mm including U-frame.

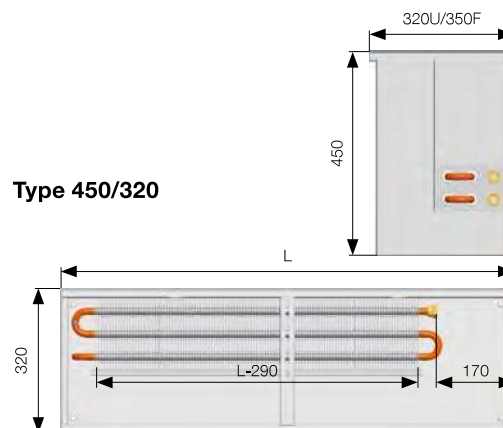
Length	$t_1/t_2/t_3$ [°C]	Width	Width	Width
		260	320	400
800	<b>75/65/20</b>	<b>426</b>	<b>506</b>	<b>655</b>
	55/45/20	202	237	309
900	<b>75/65/20</b>	<b>510</b>	<b>605</b>	<b>783</b>
	55/45/20	242	283	369
1 000	<b>75/65/20</b>	<b>594</b>	<b>704</b>	<b>912</b>
	55/45/20	282	330	430
1 100	<b>75/65/20</b>	<b>677</b>	<b>803</b>	<b>1040</b>
	55/45/20	322	376	490
1 200	<b>75/65/20</b>	<b>761</b>	<b>902</b>	<b>1169</b>
	55/45/20	361	423	551
1 300	<b>75/65/20</b>	<b>845</b>	<b>1001</b>	<b>1297</b>
	55/45/20	401	469	612
1 400	<b>75/65/20</b>	<b>928</b>	<b>1100</b>	<b>1425</b>
	55/45/20	441	515	672
1 500	<b>75/65/20</b>	<b>1012</b>	<b>1199</b>	<b>1554</b>
	55/45/20	480	562	733
1 600	<b>75/65/20</b>	<b>1095</b>	<b>1299</b>	<b>1682</b>
	55/45/20	520	608	793
1 700	<b>75/65/20</b>	<b>1179</b>	<b>1398</b>	<b>1811</b>
	55/45/20	560	655	854
1 800	<b>75/65/20</b>	<b>1263</b>	<b>1497</b>	<b>1939</b>
	55/45/20	599	701	914
1 900	<b>75/65/20</b>	<b>1346</b>	<b>1596</b>	<b>2068</b>
	55/45/20	639	748	975
2 000	<b>75/65/20</b>	<b>1430</b>	<b>1695</b>	<b>2196</b>
	55/45/20	679	794	1035
2 100	<b>75/65/20</b>	<b>1514</b>	<b>1794</b>	<b>2324</b>
	55/45/20	719	840	1096
2 200	<b>75/65/20</b>	<b>1597</b>	<b>1893</b>	<b>2453</b>
	55/45/20	758	887	1157
2 300	<b>75/65/20</b>	<b>1681</b>	<b>1992</b>	<b>2581</b>
	55/45/20	798	933	1217
2 400	<b>75/65/20</b>	<b>1765</b>	<b>2091</b>	<b>2710</b>
	55/45/20	838	980	1278
2 500	<b>75/65/20</b>	<b>1848</b>	<b>2191</b>	<b>2838</b>
	55/45/20	877	1026	1338
2 600	<b>75/65/20</b>	<b>1932</b>	<b>2290</b>	<b>2967</b>
	55/45/20	917	1073	1399
2 700	<b>75/65/20</b>	<b>2015</b>	<b>2389</b>	<b>3095</b>
	55/45/20	957	1119	1459
2 800	<b>75/65/20</b>	<b>2099</b>	<b>2488</b>	<b>3223</b>
	55/45/20	996	1165	1520
2 900	<b>75/65/20</b>	<b>2183</b>	<b>2587</b>	<b>3352</b>
	55/45/20	1036	1212	1580
3 000	<b>75/65/20</b>	<b>2266</b>	<b>2686</b>	<b>3480</b>
	55/45/20	1076	1258	1641
<b>Temperature exponent [n]</b>		<b>1.4575</b>	<b>1.4849</b>	<b>1.4713</b>



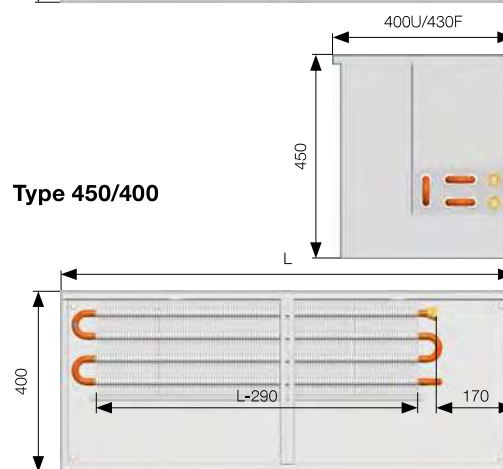
Type 450/260



Type 450/320



Type 450/400



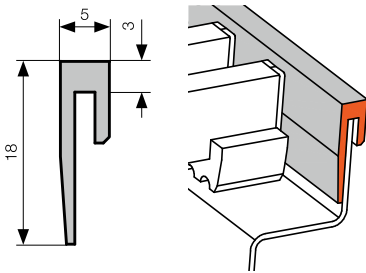
Measurements shown in mm. Where the F-frame is fitted, both the length and width increase by 30mm.

## Further information

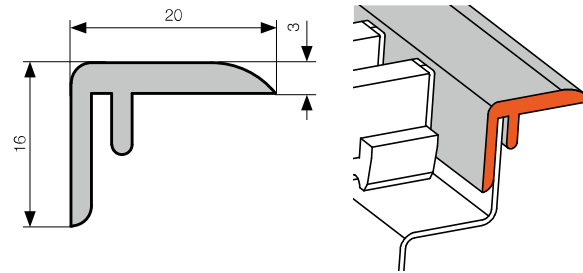
FK Mounting p. 47, Accessories p. 50, Connections and connection measurements p. 52, Technical data p. 54, Thermal gradient conversion p. 55, Convector pressure losses p. 56, Grilles and frames p. 120–127

# FRAMES

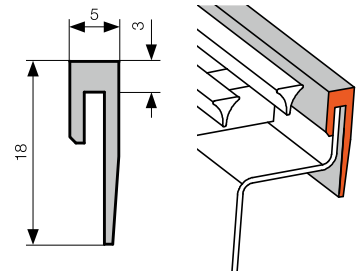
## Standard U-frame



## Optional F-frame



## Optional Cross grille frame (on request)



Measurements in mm.

# ORDER CODE



In the order code, always use the measurements in cm including U-frame, as listed in the output table for the respective model.

KORAFLEX	Convection	Optimal	Length (cm)	Depth (cm)	Width (cm)	Heat exchanger type	Heat exchanger colour	Frame	Frame colour	Connection side	Lowered face
F	K	O	-.../.. / ...			V counter-flow P* single-stream 0 without heat exchanger	1 non-lacquered 5 RAL 9005 9 other colour RAL 0 without heat exchanger	U U-frame F F-frame C for Cross grille 0 without frame	1 silver elox 2 dark bronze elox 3 light bronze elox 9 other RAL colour 0 without frame	P right	0 without lowered face 1 lower face – input side 2 lower face – opposite input side 3 both sides lower

### Example order code: FKO-100/11/26-V1U1P0

KORAFLEX trench heater with natural convection, Optimal model, length 100cm, depth 11cm, width 26cm, counter-flow non-lacquered heat exchanger, U-frame silver elox, right-hand connection to heating system, without lowered face.

P\* – single-stream heat exchangers are fitted as standard in trench heaters 140 cm wide, depth of 70, 90 and 110 mm only.



**Where a left-hand connection to the heating system is required, rotate the heat exchanger in the trench heater by 180°.**



Cross grille – design solutions – Note, please, that Cross grilles must be ordered together with trench heaters, as the casing must undergo alternation. These trench heaters will be fitted with Cross frame suitable for Cross grille. For more information – see p. 125.



For a summary and description of grilles available, including order codes, see p. 120–127.

# KORAFLEX Basic FKB

---

Economic variant of best-selling dimensions of trench heaters

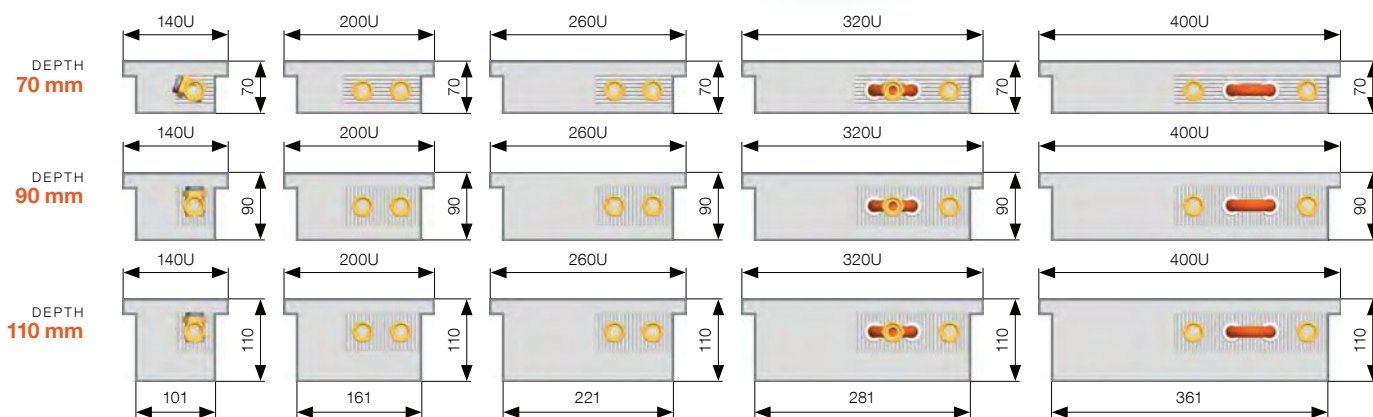
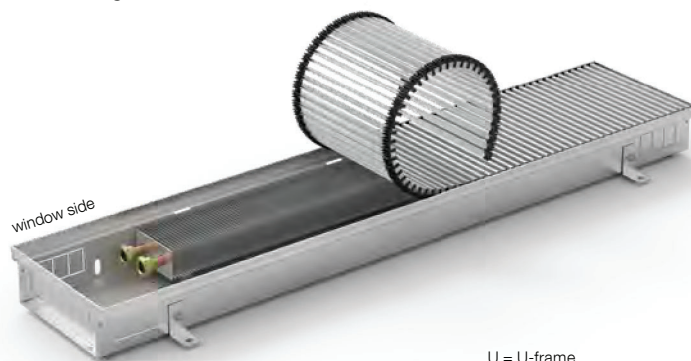


# KORAFLEX Basic FKB

## Specifications

<b>Depth</b>	<b>70, 90, 110 mm</b>
<b>Width</b>	140, 200, 260, 320, 400 mm
<b>Length</b>	800 to 3 000 mm (by 100 mm)
<b>Heat output</b>	from 41 to 1 739 W
<b>Max. operating pressure</b>	1.2 MPa
<b>Max. operating temperature</b>	110 °C
<b>Connecting thread</b>	inner G ½"

**KORAFLEX Basic FKB** is an economic variant of trench heater ideal for project solutions. Manufactured from non-lacquered hot-dip galvanized steel and fitted with silver elox U-frames or frames suitable for Cross grilles.



## Standard contents

- hot-dip galvanized steel casing, non-lacquered
- non-lacquered Al/Cu heat exchanger with bleed valve
- aluminium U-frame, silver elox
- metal cover plate
- levelling set screws and 4 anchors
- spacers for correct installation and concreting
- hardboard cover to protect trench heater from contamination
- durable packaging, installation instructions

## Optional accessories

- Choice of grilles – suitable types - see the bottom of the page
- Cross grille – design solutions – necessary to order together with trench heater – for more information, see p. 125
- light/dark bronze elox or RAL colour chart lacquered al. U-frame
- silver, light/dark bronze elox or RAL colour chart lacquered al. F-frame
- thermostatic head with incorporated control and immersion remote sensor
- 24V DC power supply
- 24V DC or 230V AC room thermostat for regulation
- 24V DC or 230V AC thermoelectric actuator, cable length 2.5m or 5m
- raised floor structural supports
- lockshield, thermostatic valve
- ½" x ½" 90° brass elbow for connection facilitation
- 10, 12 or 30cm flexible stainless steel hose
- strengthened OSB cover for installation

For more information about optional accessories and order codes, see p. 50

## Suitable grilles



For a summary and description of grilles available, including order codes, see p. 120–127.



# LICON KORAFLEX BASIC FKB | 2023 | DEPTH 70mm

PRODUCT CODE	VERSION	DEPTH	WIDTH	LENGTH (mm)																							
				800	900	1000	1100	1200	1300	1400	1500	1600	1700	1800	1900	2000	2100	2200	2300	2400	2500	2600	2700	2800	2900	3000	
LFKB-***07/14-P1U1P0	ECONOMIC	70mm	140mm	\$ 450.00	\$ 480.00	\$ 510.00	\$ 540.00	\$ 570.00	\$ 595.00	\$ 640.00	\$ 670.00	\$ 700.00	\$ 730.00	\$ 755.00	\$ 785.00	\$ 815.00	\$ 845.00	\$ 870.00	\$ 900.00	\$ 930.00	\$ 960.00	\$ 985.00	\$ 1,015.00	\$ 1,045.00	\$ 1,075.00	\$ 1,120.00	
	HEAT OUTPUT 75/65/20°C   WATTS				41	51	61	71	81	91	101	111	120	130	140	150	160	170	180	190	200	209	219	229	239	249	259
	HEAT OUTPUT 55/45/20°C   WATTS				20	24	29	34	38	43	48	52	57	62	65	71	76	81	85	90	95	99	104	109	113	118	123

PRODUCT CODE	VERSION	DEPTH	WIDTH	LENGTH (mm)																							
				800	900	1000	1100	1200	1300	1400	1500	1600	1700	1800	1900	2000	2100	2200	2300	2400	2500	2600	2700	2800	2900	3000	
LFKB-***07/20-V1U1P0	ECONOMIC	70mm	200mm	\$ 515.00	\$ 555.00	\$ 590.00	\$ 630.00	\$ 670.00	\$ 710.00	\$ 765.00	\$ 805.00	\$ 840.00	\$ 880.00	\$ 920.00	\$ 960.00	\$ 1,000.00	\$ 1,035.00	\$ 1,075.00	\$ 1,115.00	\$ 1,155.00	\$ 1,195.00	\$ 1,230.00	\$ 1,270.00	\$ 1,310.00	\$ 1,350.00	\$ 1,405.00	
	HEAT OUTPUT 75/65/20°C   WATTS				76	91	105	120	135	150	165	180	195	209	224	239	254	269	284	299	313	328	343	358	373	388	403
	HEAT OUTPUT 55/45/20°C   WATTS				36	43	50	57	64	71	78	85	92	99	106	113	120	127	134	141	148	156	163	170	177	184	191

PRODUCT CODE	VERSION	DEPTH	WIDTH	LENGTH (mm)																							
				800	900	1000	1100	1200	1300	1400	1500	1600	1700	1800	1900	2000	2100	2200	2300	2400	2500	2600	2700	2800	2900	3000	
LFKB-***07/26-V1U1P0	ECONOMIC	70mm	260mm	\$ 525.00	\$ 570.00	\$ 605.00	\$ 645.00	\$ 685.00	\$ 725.00	\$ 780.00	\$ 820.00	\$ 860.00	\$ 900.00	\$ 940.00	\$ 980.00	\$ 1,015.00	\$ 1,055.00	\$ 1,095.00	\$ 1,135.00	\$ 1,175.00	\$ 1,210.00	\$ 1,255.00	\$ 1,295.00	\$ 1,335.00	\$ 1,370.00	\$ 1,425.00	
	HEAT OUTPUT 75/65/20°C   WATTS				90	108	126	144	161	179	197	214	232	250	268	285	303	321	338	356	374	392	409	427	445	462	480
	HEAT OUTPUT 55/45/20°C   WATTS				40	47	55	63	71	78	86	94	102	109	117	125	133	140	148	156	164	171	179	187	195	202	210

PRODUCT CODE	VERSION	DEPTH	WIDTH	LENGTH (mm)																							
				800	900	1000	1100	1200	1300	1400	1500	1600	1700	1800	1900	2000	2100	2200	2300	2400	2500	2600	2700	2800	2900	3000	
LFKB-***07/32-V1U1P0	ECONOMIC	70mm	320mm	\$ 710.00	\$ 760.00	\$ 810.00	\$ 860.00	\$ 905.00	\$ 950.00	\$ 1,015.00	\$ 1,065.00	\$ 1,110.00	\$ 1,160.00	\$ 1,210.00	\$ 1,260.00	\$ 1,305.00	\$ 1,350.00	\$ 1,400.00	\$ 1,445.00	\$ 1,495.00	\$ 1,545.00	\$ 1,595.00	\$ 1,640.00	\$ 1,685.00	\$ 1,735.00	\$ 1,795.00	
	HEAT OUTPUT 75/65/20°C   WATTS				103	124	146	168	190	212	233	255	277	299	320	342	364	386	408	429	451	473	495	516	538	560	582
	HEAT OUTPUT 55/45/20°C   WATTS				46	56	66	76	86	95	105	115	125	135	145	154	164	174	184	194	204	213	223	233	246	253	263

PRODUCT CODE	VERSION	DEPTH	WIDTH	LENGTH (mm)																							
				800	900	1000	1100	1200	1300	1400	1500	1600	1700	1800	1900	2000	2100	2200	2300	2400	2500	2600	2700	2800	2900	3000	
LFKB-***07/40-V1U1P0	ECONOMIC	70mm	400mm	\$ 770.00	\$ 835.00	\$ 900.00	\$ 965.00	\$ 1,025.00	\$ 1,090.00	\$ 1,175.00	\$ 1,240.00	\$ 1,305.00	\$ 1,370.00	\$ 1,435.00	\$ 1,500.00	\$ 1,565.00	\$ 1,620.00	\$ 1,685.00	\$ 1,750.00	\$ 1,815.00	\$ 1,880.00	\$ 1,945.00	\$ 2,010.00	\$ 2,075.00	\$ 2,140.00	\$ 2,215.00	
	HEAT OUTPUT 75/65/20°C   WATTS				131	157	183	208	234	260	286	311	337	363	389	414	440	466	491	517	543	569	594	620	646	672	697
	HEAT OUTPUT 55/45/20°C   WATTS				60	72	84	96	108	119	131	143	155	167	178	190	202	214	226	238	249	261	273	285	297	309	320

\* ECONOMIC | Non Laquered Al/CU heat exchanger with bleed valve

\* Hot Dipped Non-Laquered galvanised steel case | \* Aluminium U-Frame Silver Elox | \* Metal Cover Plate

\* Levelling set screws and 4 anchors | \* Spacers for correct installation when setting in concrete | \* Hardboard cover to protect element

\* Measurements shown in mm, where F-Frame is fitted both length and with are increased by 30mm

\* GRILLES ARE NOT INCLUDED IN TRENCH HEATER PRICING AND MUST BE ORDERED SEPERATELY

\* ALL PRICING IS EXCLUDING GST | \* REFER TO ORDERING CODES ON PAGE





### Heat output [W] where $t_1/t_2/t_3$ / EN 16430

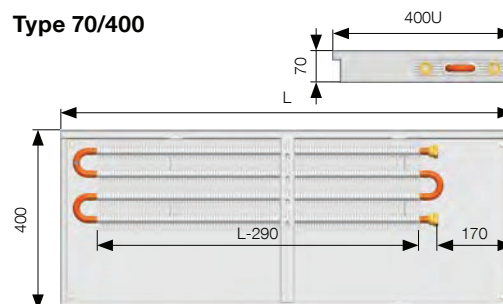
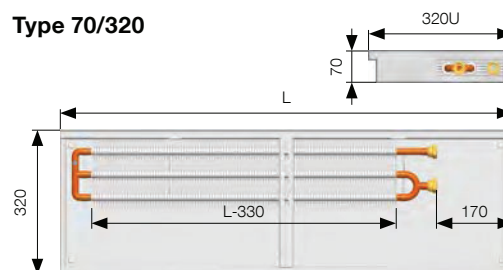
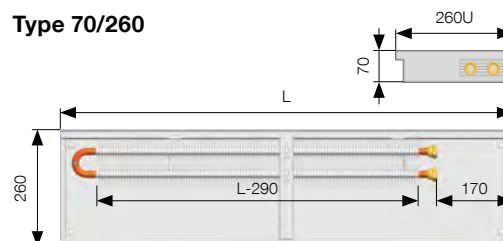
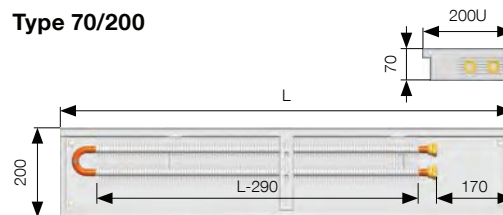
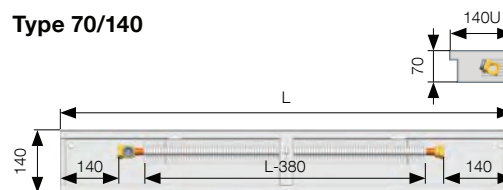
Measurements shown in mm including U-frame.

Length	$t_1/t_2/t_3$ [°C]	Width	Width	Width	Width	Width
		140	200	260	320	400
800	<b>75/65/20</b>	<b>41</b>	<b>76</b>	<b>90</b>	<b>103</b>	<b>131</b>
	55/45/20	20	36	40	46	60
900	<b>75/65/20</b>	<b>51</b>	<b>91</b>	<b>108</b>	<b>124</b>	<b>157</b>
	55/45/20	24	43	47	56	72
1 000	<b>75/65/20</b>	<b>61</b>	<b>105</b>	<b>126</b>	<b>146</b>	<b>183</b>
	55/45/20	29	50	55	66	84
1 100	<b>75/65/20</b>	<b>71</b>	<b>120</b>	<b>144</b>	<b>168</b>	<b>208</b>
	55/45/20	34	57	63	76	96
1 200	<b>75/65/20</b>	<b>81</b>	<b>135</b>	<b>161</b>	<b>190</b>	<b>234</b>
	55/45/20	38	64	71	86	108
1 300	<b>75/65/20</b>	<b>91</b>	<b>150</b>	<b>179</b>	<b>212</b>	<b>260</b>
	55/45/20	43	71	78	95	119
1 400	<b>75/65/20</b>	<b>101</b>	<b>165</b>	<b>197</b>	<b>233</b>	<b>286</b>
	55/45/20	48	78	86	105	131
1 500	<b>75/65/20</b>	<b>111</b>	<b>180</b>	<b>214</b>	<b>255</b>	<b>311</b>
	55/45/20	52	85	94	115	143
1 600	<b>75/65/20</b>	<b>120</b>	<b>195</b>	<b>232</b>	<b>277</b>	<b>337</b>
	55/45/20	57	92	102	125	155
1 700	<b>75/65/20</b>	<b>130</b>	<b>209</b>	<b>250</b>	<b>299</b>	<b>363</b>
	55/45/20	62	99	109	135	167
1 800	<b>75/65/20</b>	<b>140</b>	<b>224</b>	<b>268</b>	<b>320</b>	<b>389</b>
	55/45/20	66	106	117	145	178
1 900	<b>75/65/20</b>	<b>150</b>	<b>239</b>	<b>285</b>	<b>342</b>	<b>414</b>
	55/45/20	71	113	125	154	190
2 000	<b>75/65/20</b>	<b>160</b>	<b>254</b>	<b>303</b>	<b>364</b>	<b>440</b>
	55/45/20	76	120	133	164	202
2 100	<b>75/65/20</b>	<b>170</b>	<b>269</b>	<b>321</b>	<b>386</b>	<b>466</b>
	55/45/20	81	127	140	174	214
2 200	<b>75/65/20</b>	<b>180</b>	<b>284</b>	<b>338</b>	<b>408</b>	<b>491</b>
	55/45/20	85	134	148	184	226
2 300	<b>75/65/20</b>	<b>190</b>	<b>299</b>	<b>356</b>	<b>429</b>	<b>517</b>
	55/45/20	90	141	156	194	238
2 400	<b>75/65/20</b>	<b>200</b>	<b>313</b>	<b>374</b>	<b>451</b>	<b>543</b>
	55/45/20	95	148	164	204	249
2 500	<b>75/65/20</b>	<b>209</b>	<b>328</b>	<b>392</b>	<b>473</b>	<b>569</b>
	55/45/20	99	156	171	213	261
2 600	<b>75/65/20</b>	<b>219</b>	<b>343</b>	<b>409</b>	<b>495</b>	<b>594</b>
	55/45/20	104	163	179	223	273
2 700	<b>75/65/20</b>	<b>229</b>	<b>358</b>	<b>427</b>	<b>516</b>	<b>620</b>
	55/45/20	109	170	187	233	285
2 800	<b>75/65/20</b>	<b>239</b>	<b>373</b>	<b>445</b>	<b>538</b>	<b>646</b>
	55/45/20	113	177	195	243	297
2 900	<b>75/65/20</b>	<b>249</b>	<b>388</b>	<b>462</b>	<b>560</b>	<b>672</b>
	55/45/20	118	184	202	253	309
3 000	<b>75/65/20</b>	<b>259</b>	<b>403</b>	<b>480</b>	<b>582</b>	<b>697</b>
	55/45/20	123	191	210	263	320

Temperature exponent [n] **1.4629 1.4587 1.6148 1.5550 1.5235**

### Further information

FK Mounting p. 47, Accessories p. 50, Connections and connection measurements p. 52, Technical data p. 54, Thermal gradient conversion p. 55, Convector pressure losses p. 56, Grilles and frames p. 120–127



Measurements shown in mm. The given widths of trench heaters are identical for both models fitted with U- or Cross grille frames.



## LICON KORAFLEX BASIC FKB | 2023 | DEPTH 90mm

PRODUCT CODE	VERSION	DEPTH	WIDTH	LENGTH (mm)																							
				800	900	1000	1100	1200	1300	1400	1500	1600	1700	1800	1900	2000	2100	2200	2300	2400	2500	2600	2700	2800	2900	3000	
LFKB-***09/14-P1U1P0	ECONOMIC	90mm	140mm	\$ 470.00	\$ 495.00	\$ 530.00	\$ 560.00	\$ 590.00	\$ 620.00	\$ 670.00	\$ 700.00	\$ 730.00	\$ 760.00	\$ 790.00	\$ 820.00	\$ 855.00	\$ 885.00	\$ 915.00	\$ 945.00	\$ 975.00	\$ 1,005.00	\$ 1,035.00	\$ 1,065.00	\$ 1,095.00	\$ 1,130.00	\$ 1,175.00	
	HEAT OUTPUT 75/65/20°C   WATTS				50	62	74	86	98	110	122	134	146	158	170	182	194	206	218	230	242	254	266	278	290	302	314
	HEAT OUTPUT 55/45/20°C   WATTS				23	29	34	40	45	51	56	62	67	73	78	84	89	95	100	106	111	117	122	128	133	139	144
LFKB-***09/20-V1U1P0	ECONOMIC	90mm	200mm	\$ 530.00	\$ 570.00	\$ 615.00	\$ 655.00	\$ 695.00	\$ 740.00	\$ 795.00	\$ 835.00	\$ 880.00	\$ 920.00	\$ 960.00	\$ 1,005.00	\$ 1,045.00	\$ 1,085.00	\$ 1,130.00	\$ 1,165.00	\$ 1,210.00	\$ 1,250.00	\$ 1,295.00	\$ 1,335.00	\$ 1,375.00	\$ 1,415.00	\$ 1,470.00	
	HEAT OUTPUT 75/65/20°C   WATTS				120	143	167	190	214	237	261	284	308	331	355	378	402	426	449	473	496	520	543	567	590	614	637
	HEAT OUTPUT 55/45/20°C   WATTS				55	65	76	87	98	108	119	130	141	151	162	173	183	194	205	216	226	237	248	258	269	280	291
LFKB-***09/26-V1U1P0	ECONOMIC	90mm	260mm	\$ 560.00	\$ 600.00	\$ 645.00	\$ 690.00	\$ 730.00	\$ 775.00	\$ 835.00	\$ 880.00	\$ 925.00	\$ 965.00	\$ 1,010.00	\$ 1,055.00	\$ 1,095.00	\$ 1,140.00	\$ 1,185.00	\$ 1,225.00	\$ 1,270.00	\$ 1,315.00	\$ 1,355.00	\$ 1,400.00	\$ 1,445.00	\$ 1,485.00	\$ 1,545.00	
	HEAT OUTPUT 75/65/20°C   WATTS				153	183	213	243	273	303	333	363	393	423	453	483	513	543	573	603	633	663	693	723	753	783	813
	HEAT OUTPUT 55/45/20°C   WATTS				69	82	96	109	123	136	150	163	177	190	204	217	231	244	258	271	285	298	311	325	338	352	365
LFKB-***09/32-V1U1P0	ECONOMIC	90mm	320mm	\$ 730.00	\$ 780.00	\$ 830.00	\$ 880.00	\$ 930.00	\$ 980.00	\$ 1,045.00	\$ 1,095.00	\$ 1,150.00	\$ 1,205.00	\$ 1,250.00	\$ 1,305.00	\$ 1,350.00	\$ 1,405.00	\$ 1,455.00	\$ 1,505.00	\$ 1,555.00	\$ 1,605.00	\$ 1,660.00	\$ 1,710.00	\$ 1,760.00	\$ 1,810.00	\$ 1,875.00	
	HEAT OUTPUT 75/65/20°C   WATTS				195	236	278	319	361	402	444	485	526	568	609	651	692	733	775	816	858	899	940	982	1023	1065	1106
	HEAT OUTPUT 55/45/20°C   WATTS				93	112	132	151	171	191	210	230	250	269	289	309	328	348	368	387	407	426	446	466	485	505	525
LFKB-***09/40-V1U1P0	ECONOMIC	90mm	400mm	\$ 800.00	\$ 870.00	\$ 935.00	\$ 1,005.00	\$ 1,100.00	\$ 1,155.00	\$ 1,220.00	\$ 1,290.00	\$ 1,360.00	\$ 1,430.00	\$ 1,500.00	\$ 1,565.00	\$ 1,635.00	\$ 1,705.00	\$ 1,770.00	\$ 1,835.00	\$ 1,905.00	\$ 1,975.00	\$ 2,040.00	\$ 2,110.00	\$ 2,180.00	\$ 2,245.00	\$ 2,330.00	
	HEAT OUTPUT 75/65/20°C   WATTS				275	329	383	437	490	544	598	652	706	760	814	868	922	976	1029	1083	1137	1191	1245	1299	1353	1407	1461
	HEAT OUTPUT 55/45/20°C   WATTS				130	156	181	207	233	258	284	309	335	360	386	411	437	463	488	514	539	565	590	616	641	667	693

\* ECONOMIC | Non Laquered Al/CU heat exchanger with bleed valve

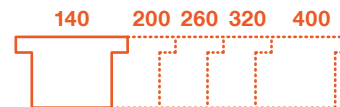
\* RAL 9005 Black Laquered galvanised steel case | \* Aluminium U-Frame Silver Elox | \* Metal Cover Plate

\* Levelling set screws and 4 anchors | \* Spacers for correct installation when setting in concrete | \* Hardboard cover to protect element

\* Measurements shown in mm, where F-Frame is fitted both length and with are increased by 30mm

\* GRILLES ARE NOT INCLUDED IN TRENCH HEATER PRICING AND MUST BE ORDERED SEPERATELY

\* ALL PRICING IS EXCLUDING GST | \* REFER TO ORDERING CODES ON PAGE



### Heat output [W] where $t_1/t_2/t_3$ / EN 16430

Measurements shown in mm including U-frame.

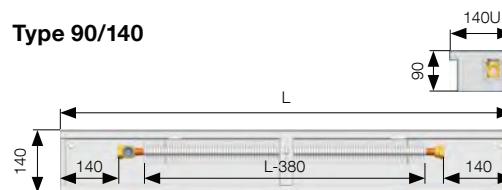
Length	$t_1/t_2/t_3$ [°C]	Width	Width	Width	Width	Width
		140	200	260	320	400
800	75/65/20	50	120	153	195	275
	55/45/20	23	55	69	93	130
900	75/65/20	62	143	183	236	329
	55/45/20	29	65	82	112	156
1 000	75/65/20	74	167	213	278	383
	55/45/20	34	76	96	132	181
1 100	75/65/20	86	190	243	319	437
	55/45/20	40	87	109	151	207
1 200	75/65/20	98	214	273	361	490
	55/45/20	45	98	123	171	233
1 300	75/65/20	110	237	303	402	544
	55/45/20	51	108	136	191	258
1 400	75/65/20	122	261	333	444	598
	55/45/20	56	119	150	210	284
1 500	75/65/20	134	284	363	485	652
	55/45/20	62	130	163	230	309
1 600	75/65/20	146	308	393	526	706
	55/45/20	67	141	177	250	335
1 700	75/65/20	158	331	423	568	760
	55/45/20	73	151	190	269	360
1 800	75/65/20	170	355	453	609	814
	55/45/20	78	162	204	289	386
1 900	75/65/20	182	378	483	651	868
	55/45/20	84	173	217	309	411
2 000	75/65/20	194	402	513	692	922
	55/45/20	89	183	231	328	437
2 100	75/65/20	206	426	543	733	976
	55/45/20	95	194	244	348	463
2 200	75/65/20	218	449	573	775	1029
	55/45/20	100	205	258	368	488
2 300	75/65/20	230	473	603	816	1083
	55/45/20	106	216	271	387	514
2 400	75/65/20	242	496	633	858	1137
	55/45/20	111	226	285	407	539
2 500	75/65/20	254	520	663	899	1191
	55/45/20	117	237	298	426	565
2 600	75/65/20	266	543	693	940	1245
	55/45/20	122	248	311	446	590
2 700	75/65/20	278	567	723	982	1299
	55/45/20	128	258	325	466	616
2 800	75/65/20	290	590	753	1023	1353
	55/45/20	133	269	338	485	641
2 900	75/65/20	302	614	783	1065	1407
	55/45/20	139	280	352	505	667
3 000	75/65/20	314	637	813	1106	1461
	55/45/20	144	291	365	525	693

Temperature exponent [n] 1.5247 1.5373 1.5643 1.4599 1.4607

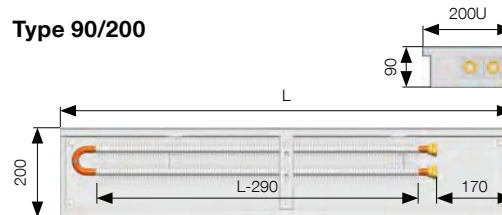
### Further information

FK Mounting p. 47, Accessories p. 50, Connections and connection measurements p. 52, Technical data p. 54, Thermal gradient conversion p. 55, Convector pressure losses p. 56, Grilles and frames p. 120–127

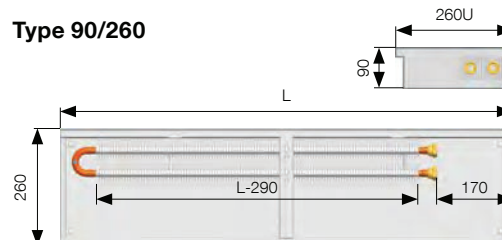
Type 90/140



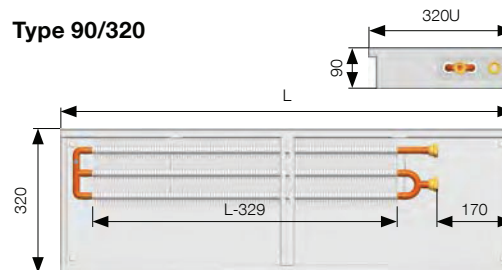
Type 90/200



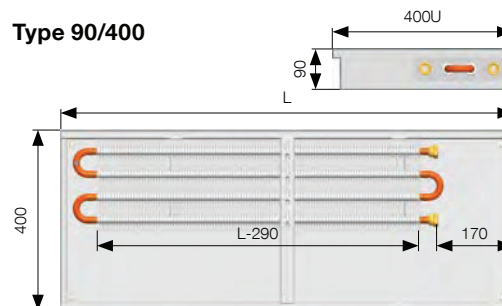
Type 90/260



Type 90/320



Type 90/400



Measurements shown in mm. The given widths of trench heaters are identical for both models fitted with U- or Cross grille frames.



# LICON KORAFLEX BASIC FKB | 2023 | DEPTH 110mm

PRODUCT CODE	VERSION	DEPTH	WIDTH	LENGTH (mm)																							
				800	900	1000	1100	1200	1300	1400	1500	1600	1700	1800	1900	2000	2100	2200	2300	2400	2500	2600	2700	2800	2900	3000	
LFKB-***/11/14-P1U1P0	ECONOMIC	110mm	140mm	\$ 475.00	\$ 505.00	\$ 535.00	\$ 570.00	\$ 600.00	\$ 635.00	\$ 685.00	\$ 710.00	\$ 750.00	\$ 780.00	\$ 810.00	\$ 840.00	\$ 875.00	\$ 905.00	\$ 935.00	\$ 970.00	\$ 1,000.00	\$ 1,035.00	\$ 1,065.00	\$ 1,095.00	\$ 1,130.00	\$ 1,160.00	\$ 1,210.00	
	HEAT OUTPUT 75/65/20°C   WATTS				56	69	82	95	108	122	135	148	161	175	188	201	214	227	241	254	267	280	294	307	320	333	346
	HEAT OUTPUT 55/45/20°C   WATTS				26	32	38	44	51	57	63	69	75	82	88	94	100	106	112	119	125	131	137	143	149	156	162

PRODUCT CODE	VERSION	DEPTH	WIDTH	LENGTH (mm)																							
				800	900	1000	1100	1200	1300	1400	1500	1600	1700	1800	1900	2000	2100	2200	2300	2400	2500	2600	2700	2800	2900	3000	
LFKB-***/11/20-V1U1P0	ECONOMIC	110mm	200mm	\$ 545.00	\$ 590.00	\$ 630.00	\$ 675.00	\$ 715.00	\$ 755.00	\$ 815.00	\$ 860.00	\$ 905.00	\$ 945.00	\$ 990.00	\$ 1,030.00	\$ 1,075.00	\$ 1,115.00	\$ 1,155.00	\$ 1,230.00	\$ 1,240.00	\$ 1,285.00	\$ 1,325.00	\$ 1,370.00	\$ 1,410.00	\$ 1,455.00	\$ 1,515.00	
	HEAT OUTPUT 75/65/20°C   WATTS				142	170	196	226	254	282	309	337	365	393	421	449	477	505	532	560	588	616	644	672	700	728	755
	HEAT OUTPUT 55/45/20°C   WATTS				67	80	93	106	119	133	146	159	172	185	198	211	225	238	251	264	277	290	303	316	330	343	356

PRODUCT CODE	VERSION	DEPTH	WIDTH	LENGTH (mm)																							
				800	900	1000	1100	1200	1300	1400	1500	1600	1700	1800	1900	2000	2100	2200	2300	2400	2500	2600	2700	2800	2900	3000	
LFKB-***/11/26-V1U1P0	ECONOMIC	110mm	260mm	\$ 575.00	\$ 620.00	\$ 665.00	\$ 710.00	\$ 755.00	\$ 800.00	\$ 860.00	\$ 905.00	\$ 950.00	\$ 995.00	\$ 1,040.00	\$ 1,085.00	\$ 1,130.00	\$ 1,175.00	\$ 1,220.00	\$ 1,260.00	\$ 1,305.00	\$ 1,350.00	\$ 1,395.00	\$ 1,440.00	\$ 1,485.00	\$ 1,530.00	\$ 1,590.00	
	HEAT OUTPUT 75/65/20°C   WATTS				184	221	257	293	329	365	401	438	474	510	546	582	618	655	691	727	763	799	835	872	908	944	980
	HEAT OUTPUT 55/45/20°C   WATTS				88	106	123	140	158	175	192	210	227	244	262	279	296	314	331	348	366	383	400	418	435	452	470

PRODUCT CODE	VERSION	DEPTH	WIDTH	LENGTH (mm)																							
				800	900	1000	1100	1200	1300	1400	1500	1600	1700	1800	1900	2000	2100	2200	2300	2400	2500	2600	2700	2800	2900	3000	
LFKB-***/11/32-V1U1P0	ECONOMIC	110mm	320mm	\$ 740.00	\$ 790.00	\$ 840.00	\$ 895.00	\$ 945.00	\$ 1,000.00	\$ 1,065.00	\$ 1,115.00	\$ 1,170.00	\$ 1,220.00	\$ 1,275.00	\$ 1,325.00	\$ 1,375.00	\$ 1,425.00	\$ 1,480.00	\$ 1,530.00	\$ 1,585.00	\$ 1,635.00	\$ 1,685.00	\$ 1,740.00	\$ 1,790.00	\$ 1,845.00	\$ 1,910.00	
	HEAT OUTPUT 75/65/20°C   WATTS				237	287	338	388	438	489	539	589	640	690	740	791	841	891	942	992	1042	1093	1143	1193	1244	1294	1344
	HEAT OUTPUT 55/45/20°C   WATTS				112	136	160	184	208	232	255	279	303	327	351	375	398	422	446	470	494	518	542	565	589	613	637

PRODUCT CODE	VERSION	DEPTH	WIDTH	LENGTH (mm)																							
				800	900	1000	1100	1200	1300	1400	1500	1600	1700	1800	1900	2000	2100	2200	2300	2400	2500	2600	2700	2800	2900	3000	
LFKB-***/11/40-V1U1P0	ECONOMIC	110mm	400mm	\$ 810.00	\$ 880.00	\$ 945.00	\$ 1,015.00	\$ 1,085.00	\$ 1,155.00	\$ 1,240.00	\$ 1,310.00	\$ 1,380.00	\$ 1,450.00	\$ 1,520.00	\$ 1,590.00	\$ 1,665.00	\$ 1,725.00	\$ 1,795.00	\$ 1,865.00	\$ 1,935.00	\$ 2,000.00	\$ 2,075.00	\$ 2,140.00	\$ 2,210.00	\$ 2,280.00	\$ 2,365.00	
	HEAT OUTPUT 75/65/20°C   WATTS				327	391	456	520	584	648	712	776	841	905	969	1033	1097	1161	1226	1290	1354	1418	1482	1546	1611	1675	1739
	HEAT OUTPUT 55/45/20°C   WATTS				155	186	216	247	277	308	338	369	399	430	460	491	521	552	582	613	643	674	704	735	765	795	826

\* ECONOMIC | Non Laquered Al/CU heat exchanger with bleed valve

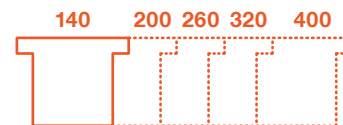
\* RAL 9005 Black Laquered galvanised steel case | \* Aluminium U-Frame Silver Elox | \* Metal Cover Plate

\* Levelling set screws and 4 anchors | \* Spacers for correct installation when setting in concrete | \* Hardboard cover to protect element

\* Measurements shown in mm, where F-Frame is fitted both length and with are increased by 30mm

\* GRILLES ARE NOT INCLUDED IN TRENCH HEATER PRICING AND MUST BE ORDERED SEPERATELY

\* ALL PRICING IS EXCLUDING GST | \* REFER TO ORDERING CODES ON PAGE



### Heat output [W] where $t_1/t_2/t_3$ / EN 16430

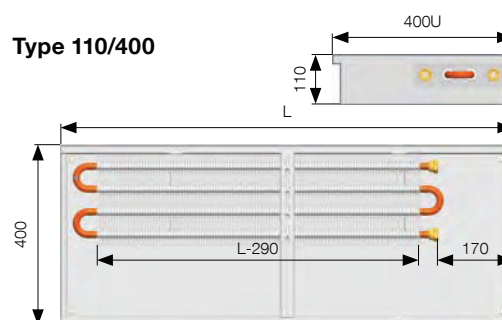
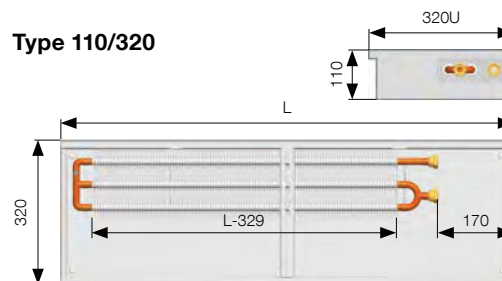
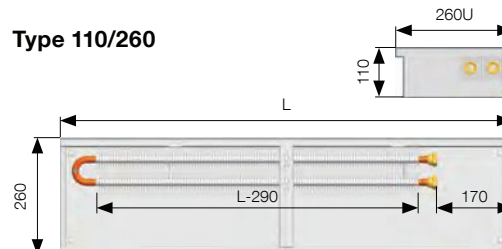
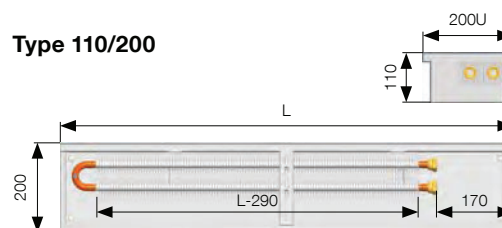
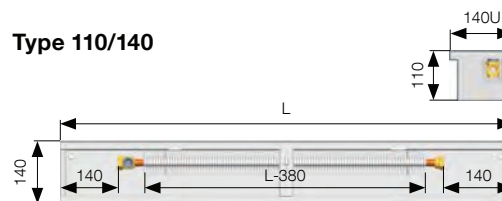
Measurements shown in mm including U-frame.

Length	$t_1/t_2/t_3$ [°C]	Width	Width	Width	Width	Width
		140	200	260	320	400
800	75/65/20	56	142	184	237	327
	55/45/20	26	67	88	112	155
900	75/65/20	69	170	221	287	391
	55/45/20	32	80	106	136	186
1 000	75/65/20	82	198	257	338	456
	55/45/20	38	93	123	160	216
1 100	75/65/20	95	226	293	388	520
	55/45/20	44	106	140	184	247
1 200	75/65/20	108	254	329	438	584
	55/45/20	51	119	158	208	277
1 300	75/65/20	122	282	365	489	648
	55/45/20	57	133	175	232	308
1 400	75/65/20	135	309	401	539	712
	55/45/20	63	146	192	255	338
1 500	75/65/20	148	337	438	589	776
	55/45/20	69	159	210	279	369
1 600	75/65/20	161	365	474	640	841
	55/45/20	75	172	227	303	399
1 700	75/65/20	175	393	510	690	905
	55/45/20	82	185	244	327	430
1 800	75/65/20	188	421	546	740	969
	55/45/20	88	198	262	351	460
1 900	75/65/20	201	449	582	791	1033
	55/45/20	94	211	279	375	491
2000	75/65/20	214	477	618	841	1097
	55/45/20	100	225	296	398	521
2100	75/65/20	227	505	655	891	1161
	55/45/20	106	238	314	422	552
2200	75/65/20	241	532	691	942	1226
	55/45/20	112	251	331	446	582
2300	75/65/20	254	560	727	992	1290
	55/45/20	119	264	348	470	613
2400	75/65/20	267	588	763	1042	1354
	55/45/20	125	277	366	494	643
2500	75/65/20	280	616	799	1093	1418
	55/45/20	131	290	383	518	674
2600	75/65/20	294	644	835	1143	1482
	55/45/20	137	303	400	542	704
2700	75/65/20	307	672	872	1193	1546
	55/45/20	143	316	418	565	735
2800	75/65/20	320	700	908	1244	1611
	55/45/20	149	330	435	589	765
2900	75/65/20	333	728	944	1294	1675
	55/45/20	156	343	452	613	795
3000	75/65/20	346	755	980	1344	1739
	55/45/20	162	356	470	637	826

Temperature exponent [n] 1.4888 1.4739 1.4385 1.4622 1.4569

### Further information

FK Mounting p. 47, Accessories p. 50, Connections and connection measurements p. 52, Technical data p. 54, Thermal gradient conversion p. 55, Convector pressure losses p. 56, Grilles and frames p. 120–127

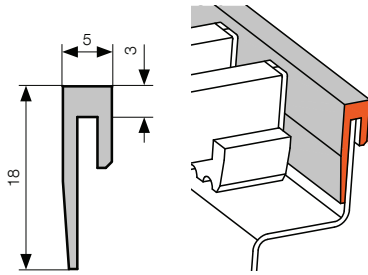


Measurements shown in mm. The given widths of trench heaters are identical for both models fitted with U- or Cross grille frames.

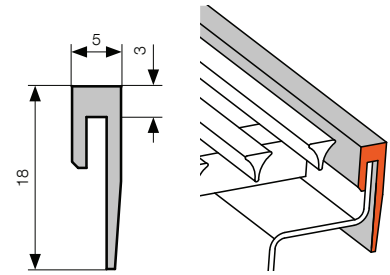


# FRAMES

## Standard U-frame



## Optional frame for Cross grille (upon request)



Measurements in mm.

# ORDER CODE



In the order code, always use the measurements in cm including U-frame, as listed in the output table for the respective model.

KORAFLEX	Convection	Basic	Length (cm)	Depth (cm)	Width (cm)	Heat exchanger type	Heat exchanger colour	Frame	Frame colour	Connection side	Lowered face
F	K	B	-.../.../...-			V counter-flow P* single-stream 0 without heat exchanger	1 non-lacquered 0 without heat exchanger	U U-frame C for Cross grille 0 without frame	1 silver elox 2 dark bronze elox 3 light bronze elox 9 other RAL colour 0 without frame	P right	0 without lowered face 1 lower face – input side 2 lower face – opposite input side 3 both sides lower

### Example order code: **FKB-100/11/26-V1U1P0**

KORAFLEX trench heater with natural convection, Basic model, length 100 cm, depth 11 cm, width 26 cm, counter-flow non-lacquered heat exchanger, U-frame, silver elox, right-hand connection to heating system, without lowered face.

P\* – single-stream heat exchangers are fitted as standard in trench heaters 140 cm wide, depth of 70, 90 and 110 mm only.



**Where a left-hand connection to the heating system is required, rotate the heat exchanger in the trench heater by 180°.**



For a summary and description of grilles available, including order codes, see p. 120–127.



Cross grille – design solutions – Note, please, that Cross grilles must be ordered together with trench heaters, as the casing must undergo alternation. These trench heaters will be fitted with Cross frame suitable for Cross grille. For more information - see p. 125.

# KORAFLEX Thin FKT

---

Trench heater with lowest unit height



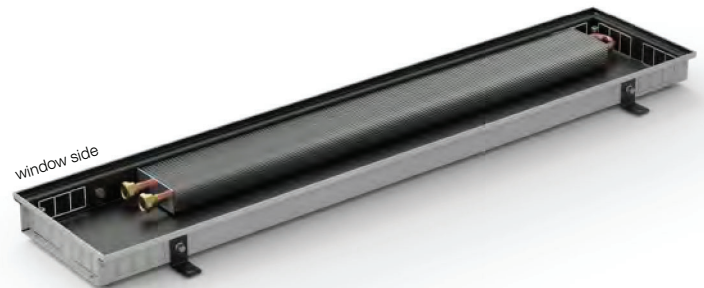
# KORAFLEX Thin FKT

## Specifications

<b>Depth</b>	<b>60 mm</b>
<b>Width</b>	140, 200, 260, 320 mm
<b>Length</b>	800 to 3 000 mm (by 100 mm)
<b>Heat output</b>	from 43 to 644 W
<b>Max. operating pressure</b>	1.2 MPa
<b>Max. operating temperature</b>	110 °C
<b>Connecting thread</b>	inner G 1/2"

**KORAFLEX Thin FKT** is a trench heater **with lowest unit height.**

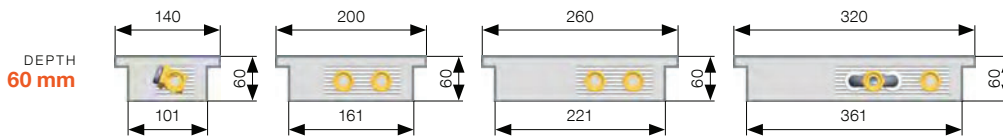
It is particularly suited to interiors with low floor depth, and as a secondary heating unit for shielding cold from French windows.



Thin  
FKT

**ECONOMIC version** – basic version, black lacquered galvanized steel casing, non-lacquered heat exchanger

**EXCLUSIVE version** – black lacquered galvanized steel casing, RAL 9005 black lacquered heat exchanger



The given widths of trench heaters are identical for both models fitted with frames for Thin or Cross grilles.

## Standard contents

- RAL 9005 black lacquered galvanized steel casing
- Economic – non-lacquered Al/Cu heat exchanger with bleed valve
- Exclusive – RAL 9005 black lacquered Al/Cu heat exchanger with bleed valve
- aluminium T-frame for Thin grille, silver elox
- metal cover plate
- levelling set screws and 4 anchors
- spacers for correct installation and concreting
- hardboard cover to protect trench heater from contamination
- durable packaging, installation instructions

## Optional accessories

- Thin or Cross grille
- Cross grille – design solutions – necessary to order together with trench heater – for more information, see p. 125
- silver, dark/light bronze elox or RAL colour chart lacquered aluminium T-frame for Thin grille
- thermostatic head with incorporated control and immersion remote sensor
- 24V DC power supply
- 24V DC or 230V AC room thermostat for regulation
- 24V DC or 230V AC thermoelectric actuator, cable length 2.5m or 5m
- lockshield, thermostatic valve
- 1/2" x 1/2" 90° brass elbow for connection facilitation
- 10, 12 or 30cm flexible stainless steel hose
- strengthened OSB cover for installation purposes

For more information about optional accessories and order codes, see p. 50

## Suitable grilles



Thin roll-up  
aluminium/silver

Thin roll-up  
aluminium/light  
bronze

Thin roll-up  
aluminium/dark  
bronze

Cross  
(upon request)



Thin trench heaters may only be fitted with Thin grilles, and after casing modifications Cross grilles. No other grilles are available for this range.



# LICON KORAFLEX THIN FKT | 2023 | DEPTH 60mm

PRODUCT CODE	VERSION	DEPTH	WIDTH	LENGTH (mm)																						
				800	900	1000	1100	1200	1300	1400	1500	1600	1700	1800	1900	2000	2100	2200	2300	2400	2500	2600	2700	2800	2900	3000
LFKT-*/06/14-P1U1P0	ECONOMIC	60mm	140mm	\$ 465.00	\$ 495.00	\$ 525.00	\$ 560.00	\$ 590.00	\$ 625.00	\$ 655.00	\$ 690.00	\$ 720.00	\$ 755.00	\$ 785.00	\$ 820.00	\$ 850.00	\$ 880.00	\$ 915.00	\$ 945.00	\$ 980.00	\$ 1,010.00	\$ 1,040.00	\$ 1,075.00	\$ 1,105.00	\$ 1,140.00	\$ 1,170.00
LFKT-*/06/14-P5U1P0	EXCLUSIVE	60mm	140mm	\$ 475.00	\$ 510.00	\$ 545.00	\$ 580.00	\$ 615.00	\$ 650.00	\$ 685.00	\$ 720.00	\$ 755.00	\$ 790.00	\$ 825.00	\$ 860.00	\$ 895.00	\$ 930.00	\$ 965.00	\$ 1,000.00	\$ 1,035.00	\$ 1,070.00	\$ 1,100.00	\$ 1,140.00	\$ 1,175.00	\$ 1,205.00	\$ 1,245.00
		HEAT OUTPUT 75/65/20°C   WATTS		41	51	61	71	81	91	101	111	120	130	140	150	160	170	180	190	200	209	219	229	239	249	259
		HEAT OUTPUT 55/45/20°C   WATTS		20	24	29	34	38	43	48	52	57	62	65	71	76	81	85	90	95	99	104	109	113	118	123

PRODUCT CODE	VERSION	DEPTH	WIDTH	LENGTH (mm)																						
				800	900	1000	1100	1200	1300	1400	1500	1600	1700	1800	1900	2000	2100	2200	2300	2400	2500	2600	2700	2800	2900	3000
LFKT-*/06/20-V1U1P0	ECONOMIC	60mm	200mm	\$ 535.00	\$ 575.00	\$ 620.00	\$ 665.00	\$ 705.00	\$ 750.00	\$ 790.00	\$ 835.00	\$ 880.00	\$ 920.00	\$ 960.00	\$ 1,010.00	\$ 1,050.00	\$ 1,090.00	\$ 1,135.00	\$ 1,175.00	\$ 1,220.00	\$ 1,265.00	\$ 1,305.00	\$ 1,350.00	\$ 1,390.00	\$ 1,435.00	\$ 1,480.00
LFKT-*/06/20-V5U1P0	EXCLUSIVE	60mm	200mm	\$ 560.00	\$ 610.00	\$ 655.00	\$ 705.00	\$ 755.00	\$ 800.00	\$ 850.00	\$ 900.00	\$ 950.00	\$ 1,000.00	\$ 1,045.00	\$ 1,090.00	\$ 1,140.00	\$ 1,190.00	\$ 1,240.00	\$ 1,285.00	\$ 1,335.00	\$ 1,380.00	\$ 1,430.00	\$ 1,480.00	\$ 1,530.00	\$ 1,575.00	\$ 1,625.00
		HEAT OUTPUT 75/65/20°C   WATTS		41	51	61	71	81	91	101	111	120	130	140	150	160	170	180	190	200	209	219	229	239	249	259
		HEAT OUTPUT 55/45/20°C   WATTS		20	24	29	34	38	43	48	52	57	62	65	71	76	81	85	90	95	99	104	109	113	118	123

PRODUCT CODE	VERSION	DEPTH	WIDTH	LENGTH (mm)																						
				800	900	1000	1100	1200	1300	1400	1500	1600	1700	1800	1900	2000	2100	2200	2300	2400	2500	2600	2700	2800	2900	3000
LFKT-*/06/26-V1U1P0	ECONOMIC	60mm	260mm	\$ 555.00	\$ 600.00	\$ 645.00	\$ 690.00	\$ 730.00	\$ 775.00	\$ 820.00	\$ 870.00	\$ 915.00	\$ 955.00	\$ 1,000.00	\$ 1,045.00	\$ 1,090.00	\$ 1,130.00	\$ 1,175.00	\$ 1,220.00	\$ 1,265.00	\$ 1,305.00	\$ 1,350.00	\$ 1,400.00	\$ 1,440.00	\$ 1,485.00	\$ 1,530.00
LFKT-*/06/26-V5U1P0	EXCLUSIVE	60mm	260mm	\$ 585.00	\$ 635.00	\$ 685.00	\$ 730.00	\$ 785.00	\$ 830.00	\$ 880.00	\$ 935.00	\$ 980.00	\$ 1,030.00	\$ 1,080.00	\$ 1,130.00	\$ 1,180.00	\$ 1,230.00	\$ 1,280.00	\$ 1,330.00	\$ 1,380.00	\$ 1,425.00	\$ 1,475.00	\$ 1,530.00	\$ 1,575.00	\$ 1,625.00	\$ 1,675.00
		HEAT OUTPUT 75/65/20°C   WATTS		41	51	61	71	81	91	101	111	120	130	140	150	160	170	180	190	200	209	219	229	239	249	259
		HEAT OUTPUT 55/45/20°C   WATTS		20	24	29	34	38	43	48	52	57	62	65	71	76	81	85	90	95	99	104	109	113	118	123

PRODUCT CODE	VERSION	DEPTH	WIDTH	LENGTH (mm)																						
				800	900	1000	1100	1200	1300	1400	1500	1600	1700	1800	1900	2000	2100	2200	2300	2400	2500	2600	2700	2800	2900	3000
LFKT-*/06/32-V1U1P0	ECONOMIC	60mm	320mm	\$ 760.00	\$ 815.00	\$ 870.00	\$ 925.00	\$ 975.00	\$ 1,030.00	\$ 1,085.00	\$ 1,140.00	\$ 1,195.00	\$ 1,250.00	\$ 1,305.00	\$ 1,360.00	\$ 1,410.00	\$ 1,465.00	\$ 1,520.00	\$ 1,575.00	\$ 1,630.00	\$ 1,680.00	\$ 1,735.00	\$ 1,790.00	\$ 1,845.00	\$ 1,895.00	\$ 1,950.00
LFKT-*/06/32-V5U1P0	EXCLUSIVE	60mm	320mm	\$ 800.00	\$ 860.00	\$ 920.00	\$ 985.00	\$ 1,045.00	\$ 1,105.00	\$ 1,165.00	\$ 1,230.00	\$ 1,295.00	\$ 1,350.00	\$ 1,415.00	\$ 1,475.00	\$ 1,535.00	\$ 1,600.00	\$ 1,660.00	\$ 1,725.00	\$ 1,780.00	\$ 1,845.00	\$ 1,905.00	\$ 1,965.00	\$ 2,030.00	\$ 2,090.00	\$ 2,150.00
		HEAT OUTPUT 75/65/20°C   WATTS		41	51	61	71	81	91	101	111	120	130	140	150	160	170	180	190	200	209	219	229	239	249	259
		HEAT OUTPUT 55/45/20°C   WATTS		20	24	29	34	38	43	48	52	57	62	65	71	76	81	85	90	95	99	104	109	113	118	123

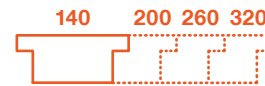
PRODUCT CODE	VERSION	DEPTH	WIDTH	LENGTH (mm)																					
				800	900	1000	1100	1200	1300	1400	1500	1600	1700	1800	1900	2000	2100	2200	2300	2400	2500	2600	2700	2800	2900
LFKT-*/06/40-V1U1P0	ECONOMIC	60mm	400mm																						
LFKT-*/06/40-V5U1P0	EXCLUSIVE	60mm	400mm																						
		HEAT OUTPUT 75/65/20°C   WATTS																							
		HEAT OUTPUT 55/45/20°C   WATTS																							

\* ECONOMIC | Non Laquered Al/CU heat exchanger with bleed valve  
 \* EXCLUSIVE | RAL 9005 BLACK Laquered Al/CU heat exchanger with bleed valve

\* RAL 9005 BLACK Laquered galvanised steel case | \* Aluminium Silver Elox T-Frame for THIN grill | \* Metal Cover Plate  
 \* Levelling set screws and 4 anchors | \* Spacers for correct installation when setting in concrete | \* Hardboard cover to protect element  
 \* Measurements shown in mm. The given widths of the Trench Heaters are identical for both models fitted with Thin or Cross grill frames

\* GRILLES ARE NOT INCLUDED IN TRENCH HEATER PRICING AND MUST BE ORDERED SEPARATELY

\* ALL PRICING IS EXCLUDING GST | \* REFER TO ORDERING CODES ON PAGE

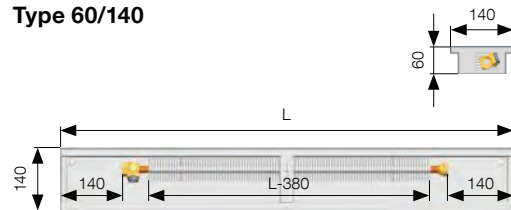


### Heat output [W] where $t_1/t_2/t_3$ / EN 16430

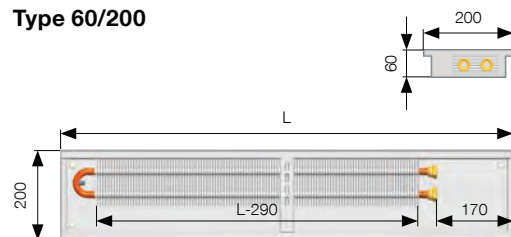
Measurements shown in mm including Thin-frame.

Length	$t_1/t_2/t_3$ [°C]	Width	Width	Width	Width
		140	200	260	320
800	75/65/20	43	87	100	114
	55/45/20	22	39	40	48
900	75/65/20	53	104	120	138
	55/45/20	27	47	48	58
1 000	75/65/20	63	121	140	162
	55/45/20	32	55	56	69
1 100	75/65/20	73	138	159	186
	55/45/20	38	62	64	79
1 200	75/65/20	83	155	179	210
	55/45/20	43	70	71	89
1 300	75/65/20	93	172	198	234
	55/45/20	48	78	79	99
1 400	75/65/20	103	189	218	258
	55/45/20	53	85	87	110
1 500	75/65/20	113	206	238	282
	55/45/20	58	93	95	120
1 600	75/65/20	124	223	257	307
	55/45/20	64	101	103	130
1 700	75/65/20	134	240	277	331
	55/45/20	69	108	111	140
1 800	75/65/20	144	257	297	355
	55/45/20	74	116	118	150
1 900	75/65/20	154	274	316	379
	55/45/20	79	124	126	161
2 000	75/65/20	164	291	336	403
	55/45/20	84	131	134	171
2 100	75/65/20	174	308	356	427
	55/45/20	90	139	142	181
2 200	75/65/20	184	325	375	451
	55/45/20	95	147	150	191
2 300	75/65/20	194	342	395	475
	55/45/20	100	155	158	202
2 400	75/65/20	204	359	415	499
	55/45/20	105	162	166	212
2 500	75/65/20	215	376	434	524
	55/45/20	111	170	173	222
2 600	75/65/20	225	393	454	548
	55/45/20	116	178	181	232
2 700	75/65/20	235	410	474	572
	55/45/20	121	185	189	243
2 800	75/65/20	245	427	493	596
	55/45/20	126	193	197	253
2 900	75/65/20	255	444	513	620
	55/45/20	131	201	205	263
3 000	75/65/20	265	461	532	644
	55/45/20	137	208	213	273
Temperature exponent [n]		1.3030	1.5552	1.7953	1.6785

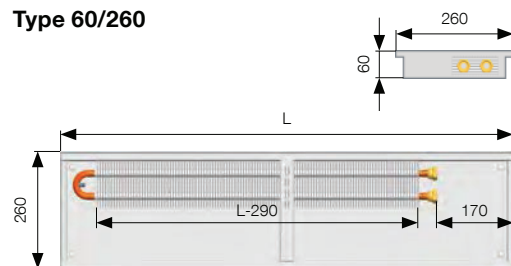
Type 60/140



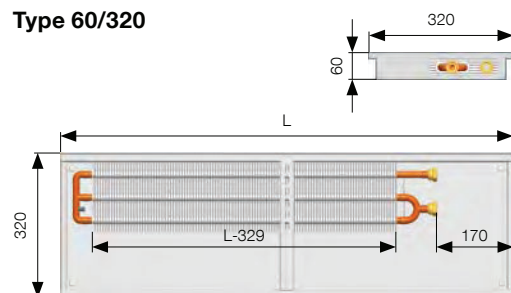
Type 60/200



Type 60/260



Type 60/320



Measurements shown in mm. The given widths of trench heaters are identical for both models fitted with Thin or Cross grille frames.

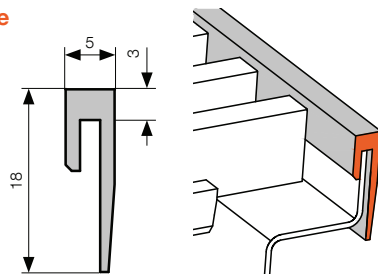
### Further information

FK Mounting p. 47, Accessories p. 50, Connections and connection measurements p. 52, Technical data p. 54, Thermal gradient conversion p. 55, Convector pressure losses p. 56, Grilles and frames p. 120–127

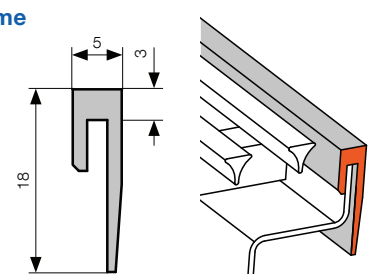


# FRAMES

## Standard Thin grille frame



## Optional Cross grille frame (upon request)



Measurements in mm.

Thin  
FKT

# ORDER CODE



In the order code, always use the measurements in cm including Thin-frame, as listed in the output table for the respective model.

KORAFLEX	Convection	Thin	Length (cm)	Depth (cm)	Width (cm)	Heat exchanger type	Heat exchanger colour	Frame	Frame colour	Connection side	Lowered face				
F	K	T	-.../.. / ..-	V	counter-flow	1	non-lacquered	T	for Thin grille	1	silver elox	P	right	0	without lowered face
				P*	single-stream	5	RAL 9005	C	for Cross grille	2	dark bronze elox	1	lower face – input side	2	lower face – opposite input side
				0	without heat exchanger	9	other colour RAL	0	without frame	3	light bronze elox	9	other RAL colour	0	without frame
				0	without heat exchanger	0	without heat exchanger			0	without frame	3	both sides lower		

P\* – single-stream heat exchangers are fitted as standard in trench heaters 140 cm wide, depth of 70, 90 and 110 mm only.

### Example order code: FKT-100/06/20-V1T1P0

KORAFLEX trench heater with natural convection, Thin model, length 100 cm, depth 6 cm, width 20 cm, non-lacquered heat exchanger, T-frame for Thin grille, silver elox, right-hand connection to heating system, without lowered face.



**Where a left-hand connection to the heating system is required, rotate the heat exchanger in the trench heater by 180°.**



The design of trench heater casing does not allow substituting Thin and Cross grilles after ordering. Note, please, that grilles must be ordered together with the trench heaters, as the casing must undergo alternation.



Thin grilles are not available in linear design.



Descriptions of individual Thin and Cross grille types and order codes can be found on p. 124–125.

# KORAFLEX Pool FKP

---

Trench heaters suitable for humid environments



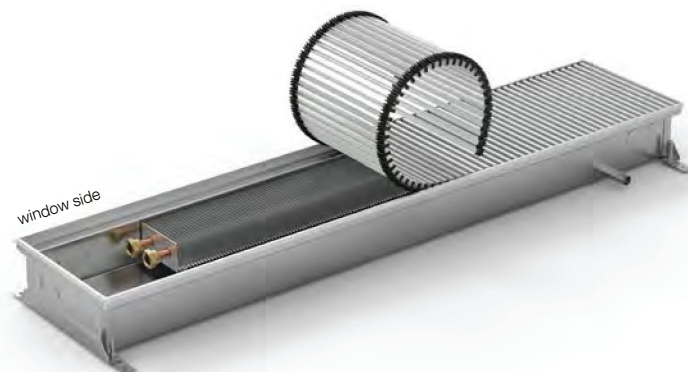
# KORAFLEX Pool FKP

## Specifications

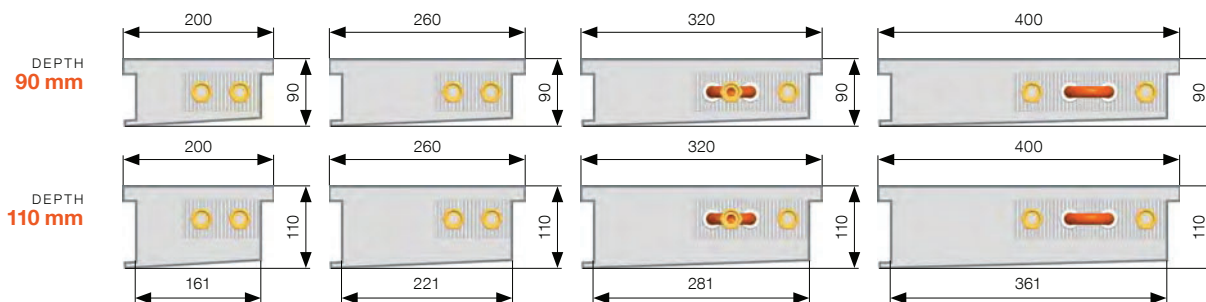
<b>Depth</b>	<b>90, 110 mm</b>
<b>Width</b>	200, 260, 320, 400 mm
<b>Length</b>	800 to 3 000 mm (by 100 mm)
<b>Heat output</b>	from 120 to 1 739 W
<b>Max. operating pressure</b>	1.2 MPa
<b>Max. operating temperature</b>	110 °C
<b>Connecting thread</b>	inner G ½"

KORAFLEX Pool FKP trench heaters are suitable for installation in humid environments. Fitted with built-in drainage and sloping base. However, these trench heaters are not watertight and must not be flooded for long periods. For ideal operating conditions we recommend using water with a pH of 7.2 – 7.6, with a maximum chlorine content of 1mg/l. Changes in these values – in particular lower pH values – will result in more aggressive water and corrosion of non-stainless steel components. Pool trench heaters installed in

**KORAFLEX Pool FKP** is manufactured from AISI 316 stainless steel, and is ideal for humid environments. **The Pool convector is finished with a hem, therefore no frames can be fitted.**



humid environments must be cleaned regularly with clean water and dried thoroughly. In case of visible calcareous deposits or oxidation, use a stainless steel cleaner followed by a suitable metal treatment product. **For long-term satisfaction it is essential that basic maintenance of the stainless steel components is carried out.** Further information can be found in the installation manual and Operating and warranty conditions, available to download at [www.licon.cz](http://www.licon.cz).



## Standard contents

- AISI 316 stainless steel casing, non-lacquered
- Al/Cu RAL 9006 grey lacquered heat exchanger with bleed valve
- frame substituted by casing edges finished with hem
- AISI 316 stainless steel cover plate
- levelling set screws and 4 anchors
- hardboard cover to protect trench heater from contamination
- durable packaging, installation instructions



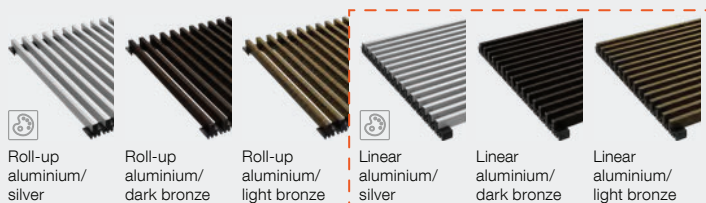
**Unsuitable for salt water pools.**

## Optional accessories

- choice of grilles
- thermostatic head with incorporated control and immersion remote sensor
- 24V DC power supply
- 24V DC room thermostat for regulation
- 24 V DC thermoelectric actuator, cable length 2.5m or 5m
- lockshield, thermostatic valve
- ½" x ½" 90° brass elbow for connection facilitation
- 10, 12 or 30cm flexible stainless steel hose
- strengthened OSB cover for installation purposes

*For more information about optional accessories and order codes, see p. 50*

## Suitable grilles



Roll-up aluminium/silver

Roll-up aluminium/dark bronze

Roll-up aluminium/light bronze

Linear aluminium/silver

Linear aluminium/dark bronze

Linear aluminium/light bronze



Where a linear grille is selected, technical consultation is necessary, as the casing may need to undergo alteration. Note, please, that linear grilles must be ordered together with trench heaters.

*A summary of individual aluminium grille types and order codes can be found on p. 120.*



# LICON KORAFLEX POOL FKP | 2023 | DEPTH 90mm

PRODUCT CODE	VERSION	DEPTH	WIDTH	LENGTH (mm)																							
				800	900	1000	1100	1200	1300	1400	1500	1600	1700	1800	1900	2000	2100	2200	2300	2400	2500	2600	2700	2800	2900	3000	
LFKP-***/09/14-P6POPO	RAL 9006	90mm	140mm																								
	HEAT OUTPUT 75/65/20°C   WATTS																										
	HEAT OUTPUT 55/45/20°C   WATTS																										

PRODUCT CODE	VERSION	DEPTH	WIDTH	LENGTH (mm)																							
				800	900	1000	1100	1200	1300	1400	1500	1600	1700	1800	1900	2000	2100	2200	2300	2400	2500	2600	2700	2800	2900	3000	
LFKP-***/09/20-V6POPO	RAL 9006	90mm	200mm	\$ 940.00	\$ 1,025.00	\$ 1,110.00	\$ 1,195.00	\$ 1,280.00	\$ 1,365.00	\$ 1,475.00	\$ 1,560.00	\$ 1,650.00	\$ 1,735.00	\$ 1,825.00	\$ 1,910.00	\$ 1,990.00	\$ 2,075.00	\$ 2,160.00	\$ 2,245.00	\$ 2,330.00	\$ 2,415.00	\$ 2,500.00	\$ 2,585.00	\$ 2,670.00	\$ 2,760.00	\$ 2,875.00	
	HEAT OUTPUT 75/65/20°C   WATTS				120	143	167	190	214	237	261	284	308	331	355	378	402	426	449	473	496	520	543	567	590	614	637
	HEAT OUTPUT 55/45/20°C   WATTS				55	65	76	87	98	108	119	130	141	151	162	173	183	194	205	216	226	237	248	258	269	280	291

PRODUCT CODE	VERSION	DEPTH	WIDTH	LENGTH (mm)																							
				800	900	1000	1100	1200	1300	1400	1500	1600	1700	1800	1900	2000	2100	2200	2300	2400	2500	2600	2700	2800	2900	3000	
LFKP-***/09/26-V6POPO	RAL 9006	90mm	260mm	\$ 1,060.00	\$ 1,155.00	\$ 1,250.00	\$ 1,340.00	\$ 1,435.00	\$ 1,530.00	\$ 1,655.00	\$ 1,750.00	\$ 1,850.00	\$ 1,945.00	\$ 2,040.00	\$ 2,130.00	\$ 2,225.00	\$ 2,320.00	\$ 2,415.00	\$ 2,510.00	\$ 2,605.00	\$ 2,700.00	\$ 2,790.00	\$ 2,890.00	\$ 2,985.00	\$ 3,080.00	\$ 3,205.00	
	HEAT OUTPUT 75/65/20°C   WATTS				153	183	213	243	273	303	333	363	393	423	453	483	513	543	573	603	633	663	693	723	753	783	813
	HEAT OUTPUT 55/45/20°C   WATTS				69	82	96	109	123	136	150	163	177	190	204	217	231	244	258	271	285	298	311	325	338	352	365

PRODUCT CODE	VERSION	DEPTH	WIDTH	LENGTH (mm)																							
				800	900	1000	1100	1200	1300	1400	1500	1600	1700	1800	1900	2000	2100	2200	2300	2400	2500	2600	2700	2800	2900	3000	
LFKP-***/09/32-V6POPO	RAL 9006	90mm	320mm	\$ 1,405.00	\$ 1,520.00	\$ 1,640.00	\$ 1,755.00	\$ 1,870.00	\$ 1,985.00	\$ 2,130.00	\$ 2,245.00	\$ 2,375.00	\$ 2,490.00	\$ 2,605.00	\$ 2,720.00	\$ 2,835.00	\$ 2,950.00	\$ 3,070.00	\$ 3,185.00	\$ 3,300.00	\$ 3,415.00	\$ 3,535.00	\$ 3,650.00	\$ 3,765.00	\$ 3,880.00	\$ 4,030.00	
	HEAT OUTPUT 75/65/20°C   WATTS				195	236	278	319	361	402	444	485	526	568	609	651	692	733	775	816	858	899	940	982	1023	1065	1106
	HEAT OUTPUT 55/45/20°C   WATTS				93	112	132	151	171	191	210	230	250	269	289	309	328	348	368	387	407	426	446	466	485	505	525

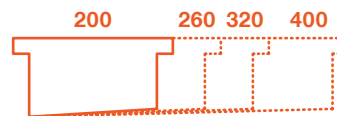
PRODUCT CODE	VERSION	DEPTH	WIDTH	LENGTH (mm)																							
				800	900	1000	1100	1200	1300	1400	1500	1600	1700	1800	1900	2000	2100	2200	2300	2400	2500	2600	2700	2800	2900	3000	
LFKP-***/09/40-V6POPO	RAL 9006	90mm	400mm	\$ 1,555.00	\$ 1,695.00	\$ 1,840.00	\$ 1,980.00	\$ 2,120.00	\$ 2,265.00	\$ 2,430.00	\$ 2,575.00	\$ 2,725.00	\$ 2,870.00	\$ 3,010.00	\$ 3,155.00	\$ 3,295.00	\$ 3,435.00	\$ 3,575.00	\$ 3,720.00	\$ 3,860.00	\$ 4,000.00	\$ 4,140.00	\$ 4,285.00	\$ 4,425.00	\$ 4,565.00	\$ 4,740.00	
	HEAT OUTPUT 75/65/20°C   WATTS				275	329	383	437	490	544	598	652	706	760	814	868	922	976	1029	1083	1137	1191	1245	1299	1353	1407	1461
	HEAT OUTPUT 55/45/20°C   WATTS				130	156	181	207	233	258	284	309	335	360	386	411	437	463	488	514	539	565	590	616	641	667	693

- \* RAL 9006 GREY Laquered Al/CU heat exchanger with bleed valve
- \* AISI 316 STAINLESS STEEL steel case | \* Frame substituted by casing edges finished with Hem | \* AISI 316 Stainless Steel Cover Plate
- \* Levelling set screws and 4 anchors | \* Spacers for correct installation when setting in concrete | \* Hardboard cover to protect element
- \* Measurements shown in mm, where F-Frame is fitted both length and with are increased by 30mm
- \* GRILLES ARE NOT INCLUDED IN TRENCH HEATER PRICING AND MUST BE ORDERED SEPERATELY | \* REFER TO ORDERING CODES ON PAGE

\* ALL PRICING IS EXCLUDING GST

# KORAFLEX Pool FKP

**depth 90 mm**

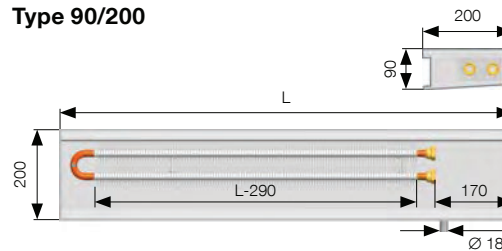


## Heat output [W] where $t_1/t_2/t_3$ / EN 16430

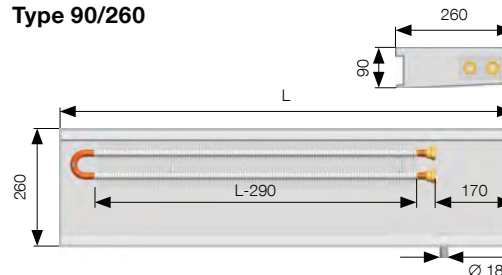
Measurements shown in mm including hem.

Length	$t_1/t_2/t_3$ [°C]	Width 200	Width 260	Width 320	Width 400
800	<b>75/65/20</b>	<b>120</b>	<b>153</b>	<b>195</b>	<b>275</b>
	55/45/20	55	69	93	130
900	<b>75/65/20</b>	<b>143</b>	<b>183</b>	<b>236</b>	<b>329</b>
	55/45/20	65	82	112	156
1 000	<b>75/65/20</b>	<b>167</b>	<b>213</b>	<b>278</b>	<b>383</b>
	55/45/20	76	96	132	181
1 100	<b>75/65/20</b>	<b>190</b>	<b>243</b>	<b>319</b>	<b>437</b>
	55/45/20	87	109	151	207
1 200	<b>75/65/20</b>	<b>214</b>	<b>273</b>	<b>361</b>	<b>490</b>
	55/45/20	98	123	171	233
1 300	<b>75/65/20</b>	<b>237</b>	<b>303</b>	<b>402</b>	<b>544</b>
	55/45/20	108	136	191	258
1 400	<b>75/65/20</b>	<b>261</b>	<b>333</b>	<b>444</b>	<b>598</b>
	55/45/20	119	150	210	284
1 500	<b>75/65/20</b>	<b>284</b>	<b>363</b>	<b>485</b>	<b>652</b>
	55/45/20	130	163	230	309
1 600	<b>75/65/20</b>	<b>308</b>	<b>393</b>	<b>526</b>	<b>706</b>
	55/45/20	141	177	250	335
1 700	<b>75/65/20</b>	<b>331</b>	<b>423</b>	<b>568</b>	<b>760</b>
	55/45/20	151	190	269	360
1 800	<b>75/65/20</b>	<b>355</b>	<b>453</b>	<b>609</b>	<b>814</b>
	55/45/20	162	204	289	386
1 900	<b>75/65/20</b>	<b>378</b>	<b>483</b>	<b>651</b>	<b>868</b>
	55/45/20	173	217	309	411
2 000	<b>75/65/20</b>	<b>402</b>	<b>513</b>	<b>692</b>	<b>922</b>
	55/45/20	183	231	328	437
2 100	<b>75/65/20</b>	<b>426</b>	<b>543</b>	<b>733</b>	<b>976</b>
	55/45/20	194	244	348	463
2 200	<b>75/65/20</b>	<b>449</b>	<b>573</b>	<b>775</b>	<b>1029</b>
	55/45/20	205	258	368	488
2 300	<b>75/65/20</b>	<b>473</b>	<b>603</b>	<b>816</b>	<b>1083</b>
	55/45/20	216	271	387	514
2 400	<b>75/65/20</b>	<b>496</b>	<b>633</b>	<b>858</b>	<b>1137</b>
	55/45/20	226	285	407	539
2 500	<b>75/65/20</b>	<b>520</b>	<b>663</b>	<b>899</b>	<b>1191</b>
	55/45/20	237	298	426	565
2 600	<b>75/65/20</b>	<b>543</b>	<b>693</b>	<b>940</b>	<b>1245</b>
	55/45/20	248	311	446	590
2 700	<b>75/65/20</b>	<b>567</b>	<b>723</b>	<b>982</b>	<b>1299</b>
	55/45/20	258	325	466	616
2 800	<b>75/65/20</b>	<b>590</b>	<b>753</b>	<b>1023</b>	<b>1353</b>
	55/45/20	269	338	485	641
2 900	<b>75/65/20</b>	<b>614</b>	<b>783</b>	<b>1065</b>	<b>1407</b>
	55/45/20	280	352	505	667
3 000	<b>75/65/20</b>	<b>637</b>	<b>813</b>	<b>1106</b>	<b>1461</b>
	55/45/20	291	365	525	693
Temperature exponent [n]		<b>1.5373</b>	<b>1.5643</b>	<b>1.4599</b>	<b>1.4607</b>

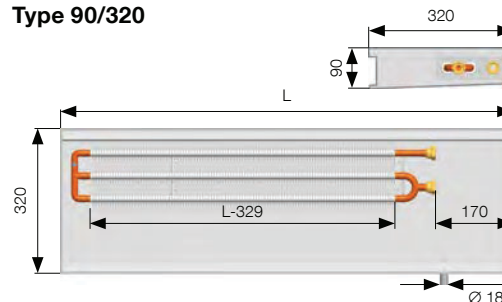
Type 90/200



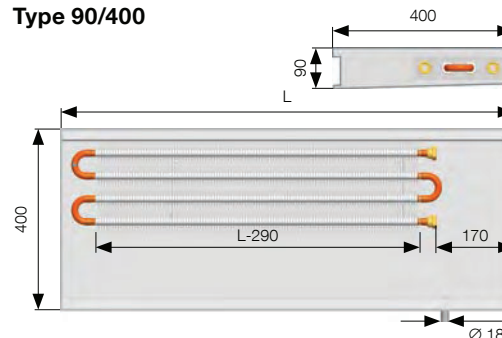
Type 90/260



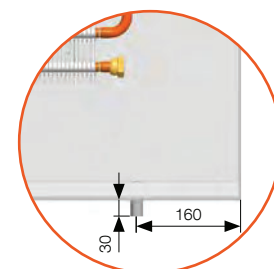
Type 90/320



Type 90/400



Trench heater widths shown in mm, including hem.



## Further information

FK Mounting p. 47, Accessories p. 50, Connections and connection measurements p. 52, Technical data p. 54, Thermal gradient conversion p. 55, Convecter pressure losses p. 56, Grilles and frames p. 120–127





# LICON KORAFLEX POOL FKP | 2023 | DEPTH 110mm

PRODUCT CODE	VERSION	DEPTH	WIDTH	LENGTH (mm)																						
				800	900	1000	1100	1200	1300	1400	1500	1600	1700	1800	1900	2000	2100	2200	2300	2400	2500	2600	2700	2800	2900	3000
LFKP-***/11/14-P6POPO	RAL 9006	110mm	140mm																							
	HEAT OUTPUT 75/65/20°C   WATTS																									
	HEAT OUTPUT 55/45/20°C   WATTS																									

PRODUCT CODE	VERSION	DEPTH	WIDTH	LENGTH (mm)																							
				800	900	1000	1100	1200	1300	1400	1500	1600	1700	1800	1900	2000	2100	2200	2300	2400	2500	2600	2700	2800	2900	3000	
LFKP-***/11/20-V6POPO	RAL 9006	110mm	200mm	\$ 1,010.00	\$ 1,100.00	\$ 1,195.00	\$ 1,285.00	\$ 1,375.00	\$ 1,465.00	\$ 1,585.00	\$ 1,675.00	\$ 1,780.00	\$ 1,870.00	\$ 1,960.00	\$ 2,050.00	\$ 2,140.00	\$ 2,235.00	\$ 2,325.00	\$ 2,415.00	\$ 2,510.00	\$ 2,595.00	\$ 2,690.00	\$ 2,780.00	\$ 2,875.00	\$ 2,970.00	\$ 3,090.00	
	HEAT OUTPUT 75/65/20°C   WATTS				142	170	196	226	254	282	309	337	365	393	421	449	477	505	532	560	588	616	644	672	700	728	755
	HEAT OUTPUT 55/45/20°C   WATTS				67	80	93	106	119	133	146	159	172	185	198	211	225	238	251	264	277	290	303	316	330	343	356

PRODUCT CODE	VERSION	DEPTH	WIDTH	LENGTH (mm)																							
				800	900	1000	1100	1200	1300	1400	1500	1600	1700	1800	1900	2000	2100	2200	2300	2400	2500	2600	2700	2800	2900	3000	
LFKP-***/11/26-V6POPO	RAL 9006	110mm	260mm	\$ 1,140.00	\$ 1,240.00	\$ 1,340.00	\$ 1,445.00	\$ 1,545.00	\$ 1,650.00	\$ 1,805.00	\$ 1,905.00	\$ 2,010.00	\$ 2,115.00	\$ 2,215.00	\$ 2,315.00	\$ 2,420.00	\$ 2,520.00	\$ 2,620.00	\$ 2,720.00	\$ 2,820.00	\$ 2,920.00	\$ 3,025.00	\$ 3,125.00	\$ 3,225.00	\$ 3,330.00	\$ 3,405.00	
	HEAT OUTPUT 75/65/20°C   WATTS				184	221	257	293	329	365	401	438	474	510	546	582	618	655	691	727	763	799	835	872	908	944	980
	HEAT OUTPUT 55/45/20°C   WATTS				88	106	123	140	158	175	192	210	227	244	262	279	296	314	331	348	366	383	400	418	435	452	470

PRODUCT CODE	VERSION	DEPTH	WIDTH	LENGTH (mm)																							
				800	900	1000	1100	1200	1300	1400	1500	1600	1700	1800	1900	2000	2100	2200	2300	2400	2500	2600	2700	2800	2900	3000	
LFKP-***/11/32-V6POPO	RAL 9006	110mm	320mm	\$ 1,480.00	\$ 1,605.00	\$ 1,730.00	\$ 1,850.00	\$ 1,975.00	\$ 2,095.00	\$ 2,245.00	\$ 2,370.00	\$ 2,505.00	\$ 2,625.00	\$ 2,750.00	\$ 2,875.00	\$ 2,995.00	\$ 3,115.00	\$ 3,240.00	\$ 3,365.00	\$ 3,485.00	\$ 3,610.00	\$ 3,730.00	\$ 3,855.00	\$ 3,980.00	\$ 4,100.00	\$ 4,260.00	
	HEAT OUTPUT 75/65/20°C   WATTS				237	287	338	388	438	489	539	589	640	690	740	791	841	891	942	992	1042	1093	1143	1193	1244	1294	1344
	HEAT OUTPUT 55/45/20°C   WATTS				112	136	160	184	208	232	255	279	303	327	351	375	398	422	446	470	494	518	542	565	589	613	637

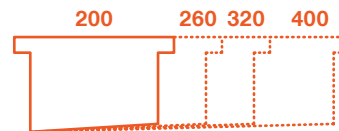
PRODUCT CODE	VERSION	DEPTH	WIDTH	LENGTH (mm)																							
				800	900	1000	1100	1200	1300	1400	1500	1600	1700	1800	1900	2000	2100	2200	2300	2400	2500	2600	2700	2800	2900	3000	
LFKP-***/11/40-V6POPO	RAL 9006	110mm	400mm	\$ 1,640.00	\$ 1,790.00	\$ 1,935.00	\$ 2,085.00	\$ 2,235.00	\$ 2,380.00	\$ 2,560.00	\$ 2,705.00	\$ 2,875.00	\$ 3,020.00	\$ 3,165.00	\$ 3,315.00	\$ 3,465.00	\$ 3,610.00	\$ 3,760.00	\$ 3,905.00	\$ 4,055.00	\$ 4,200.00	\$ 4,350.00	\$ 4,500.00	\$ 4,650.00	\$ 4,795.00	\$ 4,975.00	
	HEAT OUTPUT 75/65/20°C   WATTS				327	391	456	520	584	648	712	776	841	905	969	1033	1097	1161	1226	1290	1354	1418	1482	1546	1611	1675	1739
	HEAT OUTPUT 55/45/20°C   WATTS				155	186	216	247	277	308	338	369	399	430	460	491	521	552	582	613	643	674	704	735	765	795	826

- \* RAL 9006 GREY Laquered Al/CU heat exchanger with bleed valve
- \* AISI 316 STAINLESS STEEL steel case | \* Frame substituted by casing edges finished with Hem | \* AISI 316 Stainless Steel Cover Plate
- \* Levelling set screws and 4 anchors | \* Spacers for correct installation when setting in concrete | \* Hardboard cover to protect element
- \* Measurements shown in mm, where F-Frame is fitted both length and with are increased by 30mm
- \* GRILLES ARE NOT INCLUDED IN TRENCH HEATER PRICING AND MUST BE ORDERED SEPERATELY | \* REFER TO ORDERING CODES ON PAGE

\* ALL PRICING IS EXCLUDING GST

# KORAFLEX Pool FKP

depth 110 mm

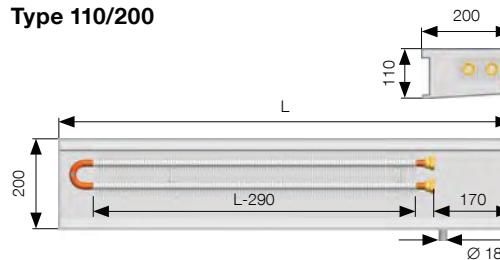


## Heat output [W] where $t_1/t_2/t_3$ / EN 16430

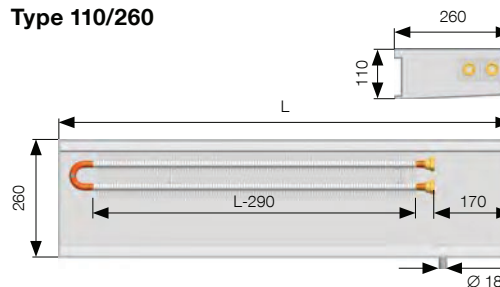
Measurements shown in mm including hem.

Length	$t_1/t_2/t_3$ [°C]	Width 200	Width 260	Width 320	Width 400
800	75/65/20	142	184	237	327
	55/45/20	67	88	112	155
900	75/65/20	170	221	287	391
	55/45/20	80	106	136	186
1 000	75/65/20	198	257	338	456
	55/45/20	93	123	160	216
1 100	75/65/20	226	293	388	520
	55/45/20	106	140	184	247
1 200	75/65/20	254	329	438	584
	55/45/20	119	158	208	277
1 300	75/65/20	282	365	489	648
	55/45/20	133	175	232	308
1 400	75/65/20	309	401	539	712
	55/45/20	146	192	255	338
1 500	75/65/20	337	438	589	776
	55/45/20	159	210	279	369
1 600	75/65/20	365	474	640	841
	55/45/20	172	227	303	399
1 700	75/65/20	393	510	690	905
	55/45/20	185	244	327	430
1 800	75/65/20	421	546	740	969
	55/45/20	198	262	351	460
1 900	75/65/20	449	582	791	1033
	55/45/20	211	279	375	491
2 000	75/65/20	477	618	841	1097
	55/45/20	225	296	398	521
2 100	75/65/20	505	655	891	1161
	55/45/20	238	314	422	552
2 200	75/65/20	532	691	942	1226
	55/45/20	251	331	446	582
2 300	75/65/20	560	727	992	1290
	55/45/20	264	348	470	613
2 400	75/65/20	588	763	1042	1354
	55/45/20	277	366	494	643
2 500	75/65/20	616	799	1093	1418
	55/45/20	290	383	518	674
2 600	75/65/20	644	835	1143	1482
	55/45/20	303	400	542	704
2 700	75/65/20	672	872	1193	1546
	55/45/20	316	418	565	735
2 800	75/65/20	700	908	1244	1611
	55/45/20	330	435	589	765
2 900	75/65/20	728	944	1294	1675
	55/45/20	343	452	613	795
3 000	75/65/20	755	980	1344	1739
	55/45/20	356	470	637	826
Temperature exponent [n]		1.4739	1.4385	1.4622	1.4569

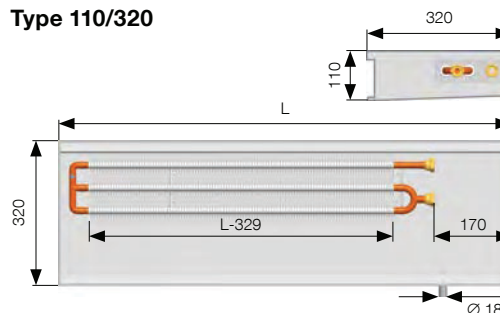
Type 110/200



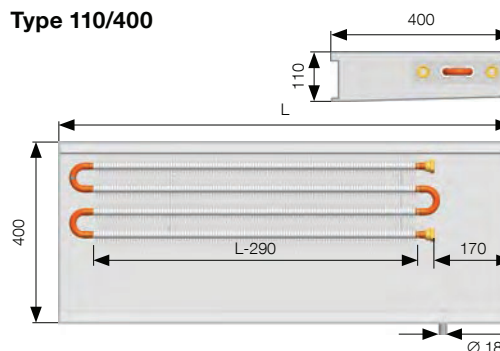
Type 110/260



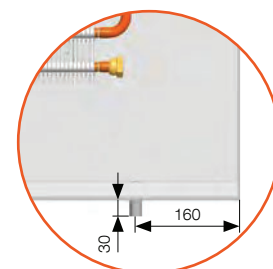
Type 110/320



Type 110/400



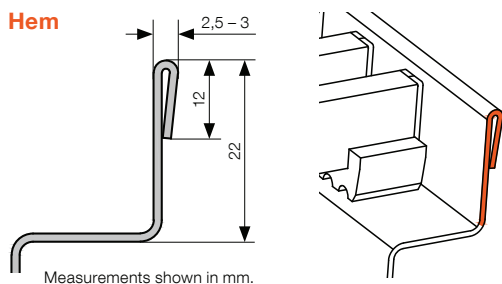
Trench heater widths shown in mm, including hem.



## Further information

FK Mounting p. 47, Accessories p. 50, Connections and connection measurements p. 52, Technical data p. 54, Thermal gradient conversion p. 55, Convector pressure losses p. 56, Grilles and frames p. 120–127

# HEM FINISHING



## ORDER CODE



In the order code, always use the measurements in cm including hem, as listed in the output table for the respective model.

KORAFLEX	Convection	Pool	Length (cm)	Depth (cm)	Width (cm)	Heat exchanger type	Heat exchanger colour	Frame	Frame colour	Connection side	Lowered face
F	K	P	-... / .. / ...-			V counter-flow 0 without heat exchanger	6 RAL 9006 lacquer 0 without heat exchanger	P hem	0 without frame	P right	0 without lowered face

### Example order code: FKP-100/11/26-V6P0P0

KORAFLEX trench heater with natural convection, Pool model, length 100cm, depth 11cm, width 26cm, counter-flow RAL 9006 grey lacquered heat exchanger, finished with hem, right-hand connection to heating system, without lowered face.



**Where a left-hand connection to the heating system is required, rotate the heat exchanger in the trench heater by 180°.**



Individual KORAFLEX Pool trench heater casings can not be combined into multiple series, and are manufactured solely as P0 models, frame substituted with hem, with counter-flow heat exchangers. See p. 49.



Where a linear grille is selected, technical consultation is necessary, as the casing may need to undergo alteration. Note, please, that linear grilles must be ordered together with trench heaters.



For a summary and description of grilles available, including order codes, see p. 120.

# KORAFLEX grilles and frames

---



# LICON KORAFLEX PM GRILLS | 2023

PRODUCT CODE	VERSION	WIDTH	LENGTH (mm)																						
			800	900	1000	1100	1200	1300	1400	1500	1600	1700	1800	1900	2000	2100	2200	2300	2400	2500	2600	2700	2800	2900	3000
LPM-***/14-A1R0	ALUMINIUM SILVER ELOX	140mm	\$ 200.00	\$ 220.00	\$ 245.00	\$ 265.00	\$ 290.00	\$ 310.00	\$ 330.00	\$ 350.00	\$ 375.00	\$ 400.00	\$ 420.00	\$ 440.00	\$ 465.00	\$ 485.00	\$ 505.00	\$ 530.00	\$ 550.00	\$ 575.00	\$ 595.00	\$ 615.00	\$ 640.00	\$ 665.00	\$ 685.00
LPM-***/14-A2R0	ALUMINIUM LIGHT BRONZE ELOX	140mm	\$ 200.00	\$ 220.00	\$ 245.00	\$ 265.00	\$ 290.00	\$ 310.00	\$ 330.00	\$ 350.00	\$ 375.00	\$ 400.00	\$ 420.00	\$ 440.00	\$ 465.00	\$ 485.00	\$ 505.00	\$ 530.00	\$ 550.00	\$ 575.00	\$ 595.00	\$ 615.00	\$ 640.00	\$ 665.00	\$ 685.00
LPM-***/14-A3R0	ALUMINIUM DARK BRONZE ELOX	140mm	\$ 200.00	\$ 220.00	\$ 245.00	\$ 265.00	\$ 290.00	\$ 310.00	\$ 330.00	\$ 350.00	\$ 375.00	\$ 400.00	\$ 420.00	\$ 440.00	\$ 465.00	\$ 485.00	\$ 505.00	\$ 530.00	\$ 550.00	\$ 575.00	\$ 595.00	\$ 615.00	\$ 640.00	\$ 665.00	\$ 685.00
LPM-***/14-T1R0	THIN ALUM SILVER ELOX	140mm	\$ 200.00	\$ 220.00	\$ 245.00	\$ 265.00	\$ 290.00	\$ 310.00	\$ 330.00	\$ 350.00	\$ 375.00	\$ 400.00	\$ 420.00	\$ 440.00	\$ 465.00	\$ 485.00	\$ 505.00	\$ 530.00	\$ 550.00	\$ 575.00	\$ 595.00	\$ 615.00	\$ 640.00	\$ 665.00	\$ 685.00
LPM-***/14-T2R0	THIN ALUM LIGHT BRONZE ELOX	140mm	\$ 200.00	\$ 220.00	\$ 245.00	\$ 265.00	\$ 290.00	\$ 310.00	\$ 330.00	\$ 350.00	\$ 375.00	\$ 400.00	\$ 420.00	\$ 440.00	\$ 465.00	\$ 485.00	\$ 505.00	\$ 530.00	\$ 550.00	\$ 575.00	\$ 595.00	\$ 615.00	\$ 640.00	\$ 665.00	\$ 685.00
LPM-***/14-T3R0	THIN ALUM DARK BRONZE ELOX	140mm	\$ 200.00	\$ 220.00	\$ 245.00	\$ 265.00	\$ 290.00	\$ 310.00	\$ 330.00	\$ 350.00	\$ 375.00	\$ 400.00	\$ 420.00	\$ 440.00	\$ 465.00	\$ 485.00	\$ 505.00	\$ 530.00	\$ 550.00	\$ 575.00	\$ 595.00	\$ 615.00	\$ 640.00	\$ 665.00	\$ 685.00
LPM-***/14-B040	BEECH NATURAL	140mm	\$ 285.00	\$ 320.00	\$ 355.00	\$ 390.00	\$ 420.00	\$ 455.00	\$ 490.00	\$ 515.00	\$ 555.00	\$ 585.00	\$ 615.00	\$ 650.00	\$ 685.00	\$ 720.00	\$ 750.00	\$ 785.00	\$ 820.00	\$ 850.00	\$ 880.00	\$ 915.00	\$ 950.00	\$ 980.00	\$ 1,015.00
LPM-***/14-D040	OAK NATURAL	140mm	\$ 315.00	\$ 355.00	\$ 390.00	\$ 430.00	\$ 465.00	\$ 505.00	\$ 540.00	\$ 575.00	\$ 610.00	\$ 650.00	\$ 685.00	\$ 725.00	\$ 760.00	\$ 800.00	\$ 835.00	\$ 870.00	\$ 910.00	\$ 940.00	\$ 980.00	\$ 1,020.00	\$ 1,060.00	\$ 1,090.00	\$ 1,130.00
LPM-***/14-S6P0	STEEL ROLL UP   RAL 9006	140mm	\$ 270.00	\$ 300.00	\$ 325.00	\$ 355.00	\$ 385.00	\$ 415.00	\$ 445.00	\$ 475.00	\$ 500.00	\$ 530.00	\$ 555.00	\$ 585.00	\$ 610.00	\$ 640.00	\$ 670.00	\$ 700.00	\$ 730.00	\$ 760.00	\$ 785.00	\$ 815.00	\$ 845.00	\$ 875.00	\$ 905.00
LPM-***/14-S6L0	STEEL LINEAR   RAL 9006	140mm	\$ 245.00	\$ 295.00	\$ 305.00	\$ 320.00	\$ 335.00	\$ 380.00	\$ 395.00	\$ 440.00	\$ 455.00	\$ 470.00	\$ 485.00	\$ 530.00	\$ 545.00	\$ 590.00	\$ 605.00	\$ 620.00	\$ 635.00	\$ 680.00	\$ 695.00	\$ 740.00	\$ 755.00	\$ 770.00	\$ 780.00
LPM-***/14-R0R0	STAINLESS STEEL ROLL UP	140mm																							
LPM-***/14-R0L0	STAINLESS STEEL LINEAR	140mm																							

PRODUCT CODE	VERSION	WIDTH	LENGTH (mm)																						
			800	900	1000	1100	1200	1300	1400	1500	1600	1700	1800	1900	2000	2100	2200	2300	2400	2500	2600	2700	2800	2900	3000
LPM-***/16-A1R0	ALUMINIUM SILVER ELOX	160mm	\$ 215.00	\$ 235.00	\$ 260.00	\$ 280.00	\$ 310.00	\$ 330.00	\$ 355.00	\$ 375.00	\$ 405.00	\$ 425.00	\$ 450.00	\$ 470.00	\$ 495.00	\$ 520.00	\$ 545.00	\$ 565.00	\$ 590.00	\$ 615.00	\$ 640.00	\$ 660.00	\$ 690.00	\$ 710.00	\$ 735.00
LPM-***/16-A2R0	ALUMINIUM LIGHT BONZE ELOX	160mm	\$ 215.00	\$ 235.00	\$ 260.00	\$ 280.00	\$ 310.00	\$ 330.00	\$ 355.00	\$ 375.00	\$ 405.00	\$ 425.00	\$ 450.00	\$ 470.00	\$ 495.00	\$ 520.00	\$ 545.00	\$ 565.00	\$ 590.00	\$ 615.00	\$ 640.00	\$ 660.00	\$ 690.00	\$ 710.00	\$ 735.00
LPM-***/16-A3R0	ALUMINIUM DARK BRONZE ELOX	160mm	\$ 215.00	\$ 235.00	\$ 260.00	\$ 280.00	\$ 310.00	\$ 330.00	\$ 355.00	\$ 375.00	\$ 405.00	\$ 425.00	\$ 450.00	\$ 470.00	\$ 495.00	\$ 520.00	\$ 545.00	\$ 565.00	\$ 590.00	\$ 615.00	\$ 640.00	\$ 660.00	\$ 690.00	\$ 710.00	\$ 735.00
LPM-***/16-B040	BEECH NATURAL	160mm	\$ 290.00	\$ 325.00	\$ 360.00	\$ 395.00	\$ 425.00	\$ 455.00	\$ 495.00	\$ 520.00	\$ 555.00	\$ 590.00	\$ 625.00	\$ 655.00	\$ 690.00	\$ 725.00	\$ 755.00	\$ 790.00	\$ 825.00	\$ 855.00	\$ 890.00	\$ 925.00	\$ 960.00	\$ 990.00	\$ 1,025.00
LPM-***/16-D040	OAK NATURAL	160mm	\$ 320.00	\$ 360.00	\$ 395.00	\$ 435.00	\$ 470.00	\$ 510.00	\$ 545.00	\$ 580.00	\$ 620.00	\$ 660.00	\$ 690.00	\$ 730.00	\$ 770.00	\$ 810.00	\$ 840.00	\$ 880.00	\$ 920.00	\$ 955.00	\$ 990.00	\$ 1,030.00	\$ 1,070.00	\$ 1,105.00	\$ 1,140.00
LPM-***/16-S6P0	STEEL ROLL UP   RAL 9006	160mm	\$ 285.00	\$ 315.00	\$ 345.00	\$ 375.00	\$ 405.00	\$ 440.00	\$ 470.00	\$ 500.00	\$ 530.00	\$ 560.00	\$ 585.00	\$ 620.00	\$ 650.00	\$ 680.00	\$ 710.00	\$ 740.00	\$ 775.00	\$ 805.00	\$ 835.00	\$ 865.00	\$ 895.00	\$ 930.00	\$ 960.00
LPM-***/16-S6L0	STEEL LINEAR   RAL 9006	160mm	\$ 290.00	\$ 345.00	\$ 365.00	\$ 380.00	\$ 395.00	\$ 450.00	\$ 465.00	\$ 520.00	\$ 540.00	\$ 555.00	\$ 570.00	\$ 630.00	\$ 645.00	\$ 700.00	\$ 715.00	\$ 730.00	\$ 745.00	\$ 805.00	\$ 820.00	\$ 875.00	\$ 890.00	\$ 910.00	\$ 925.00
LPM-***/16-R0R0	STAINLESS STEEL ROLL UP	160mm																							
LPM-***/16-R0L0	STAINLESS STEEL LINEAR	160mm																							

PRODUCT CODE	VERSION	WIDTH	LENGTH (mm)																						
			800	900	1000	1100	1200	1300	1400	1500	1600	1700	1800	1900	2000	2100	2200	2300	2400	2500	2600	2700	2800	2900	3000
LPM-***/20-A1R0	ALUMINIUM SILVER ELOX	200mm	\$ 240.00	\$ 265.00	\$ 295.00	\$ 320.00	\$ 350.00	\$ 375.00	\$ 400.00	\$ 425.00	\$ 455.00	\$ 480.00	\$ 510.00	\$ 535.00	\$ 565.00	\$ 590.00	\$ 615.00	\$ 645.00	\$ 670.00	\$ 700.00	\$ 725.00	\$ 750.00	\$ 780.00	\$ 810.00	\$ 835.00
LPM-***/20-A2R0	ALUMINIUM LIGHT BONZE ELOX	200mm	\$ 240.00	\$ 265.00	\$ 295.00	\$ 320.00	\$ 350.00	\$ 375.00	\$ 400.00	\$ 425.00	\$ 455.00	\$ 480.00	\$ 510.00	\$ 535.00	\$ 565.00	\$ 590.00	\$ 615.00	\$ 645.00	\$ 670.00	\$ 700.00	\$ 725.00	\$ 750.00	\$ 780.00	\$ 810.00	\$ 835.00
LPM-***/20-A3R0	ALUMINIUM DARK BRONZE ELOX	200mm	\$ 240.00	\$ 265.00	\$ 295.00	\$ 320.00	\$ 350.00	\$ 375.00	\$ 400.00	\$ 425.00	\$ 455.00	\$ 480.00	\$ 510.00	\$ 535.00	\$ 565.00	\$ 590.00	\$ 615.00	\$ 645.00	\$ 670.00	\$ 700.00	\$ 725.00	\$ 750.00	\$ 780.00	\$ 810.00	\$ 835.00
LPM-***/20-T1R0	THIN ALUM SILVER ELOX	200mm	\$ 240.00	\$ 265.00	\$ 295.00	\$ 320.00	\$ 350.00	\$ 375.00	\$ 400.00	\$ 425.00	\$ 455.00	\$ 480.00	\$ 510.00	\$ 535.00	\$ 565.00	\$ 590.00	\$ 615.00	\$ 645.00	\$ 670.00	\$ 700.00	\$ 725.00	\$ 750.00	\$ 780.00	\$ 810.00	\$ 835.00
LPM-***/20-T2R0	THIN ALUM LIGHT BRONZE ELOX	200mm	\$ 240.00	\$ 265.00	\$ 295.00	\$ 320.00	\$ 350.00	\$ 375.00	\$ 400.00	\$ 425.00	\$ 455.00	\$ 480.00	\$ 510.00	\$ 535.00	\$ 565.00	\$ 590.00	\$ 615.00	\$ 645.00	\$ 670.00	\$ 700.00	\$ 725.00	\$ 750.00	\$ 780.00	\$ 810.00	\$ 835.00
LPM-***/20-T3R0	THIN ALUM DARK BRONZE ELOX	200mm	\$ 240.00	\$ 265.00	\$ 295.00	\$ 320.00	\$ 350.00	\$ 375.00	\$ 400.00	\$ 425.00	\$ 455.00	\$ 480.00	\$ 510.00	\$ 535.00	\$ 565.00	\$ 590.00	\$ 615.00	\$ 645.00	\$ 670.00	\$ 700.00	\$ 725.00	\$ 750.00	\$ 780.00	\$ 810.00	\$ 835.00
LPM-***/20-B040	BEECH NATURAL	200mm	\$ 290.00	\$ 325.00	\$ 360.00	\$ 395.00	\$ 425.00	\$ 460.00	\$ 495.00	\$ 525.00	\$ 560.00	\$ 595.00	\$ 625.00	\$ 660.00	\$ 695.00	\$ 730.00	\$ 760.00	\$ 795.00	\$ 835.00	\$ 860.00	\$ 900.00	\$ 935.00	\$ 970.00	\$ 1,000.00	\$ 1,035.00
LPM-***/20-D040	OAK NATURAL	200mm	\$ 320.00	\$ 360.00	\$ 400.00	\$ 440.00	\$ 470.00	\$ 510.00	\$ 550.00	\$ 580.00	\$ 620.00	\$ 660.00	\$ 695.00	\$ 735.00	\$ 775.00	\$ 810.00	\$ 845.00	\$ 885.00	\$ 925.00	\$ 955.00	\$ 995.00	\$ 1,035.00	\$ 1,075.00	\$ 1,110.00	\$ 1,145.00
LPM-***/20-S6P0	STEEL ROLL UP   RAL 9006	200mm	\$ 315.00	\$ 350.00	\$ 390.00	\$ 425.00	\$ 460.00	\$ 495.00	\$ 530.00	\$ 565.00	\$ 600.00	\$ 635.00	\$ 665.00	\$ 700.00	\$ 735.00	\$ 770.00	\$ 805.00	\$ 840.00	\$ 875.00	\$ 910.00	\$ 945.00	\$ 980.00	\$ 1,015.00	\$ 1,050.00	\$ 1,085.00
LPM-***/20-S6L0	STEEL LINEAR   RAL 9006	200mm	\$ 345.00	\$ 410.00	\$ 435.00	\$ 455.00	\$ 480.00	\$ 540.00	\$ 565.00	\$ 630.00	\$ 650.00	\$ 670.00	\$ 695.00	\$ 760.00	\$ 780.00	\$ 845.00	\$ 865.00	\$ 890.00	\$ 910.00	\$ 975.00	\$ 995.00	\$ 1,060.00	\$ 1,085.00	\$ 1,105.00	\$ 1,125.00
LPM-***/20-R0R0	STAINLESS STEEL ROLL UP	200mm																							
LPM-***/20-R0L0	STAINLESS STEEL LINEAR	200mm																							

\* Grills are manufactured from natural materials and as such minor variations in colour are inevitable

\* The manufacturer neither guarantees the given colours nor accepts other claims resulting from variations in colour

\* Frames are NOT grill components, they are trench heater components

\* When fitting LINEAR grills to trench heaters with fans (FV0, FVE, FVP, F2V or F4V) the LINEAR grilles must be ordered together with trench heaters. Structural alterations are necessary

\* LINEAR grill supports are part of standard contents and are included in grill price | \* Mahogany grilles are made to order | \* CROSS grilles are made to order

\* REFER TO ORDERING CODES | \* ALL PRICING IS EXCLUDING GST







# LICON KORAFLEX PM GRILLS | 2023

PRODUCT CODE	VERSION	WIDTH	LENGTH (mm)																											
			800	900	1000	1100	1200	1300	1400	1500	1600	1700	1800	1900	2000	2100	2200	2300	2400	2500	2600	2700	2800	2900	3000					
LPM-***/40-A1R0	ALUMINIUM SILVER ELOX	400mm	\$ 415.00	\$ 460.00	\$ 505.00	\$ 555.00	\$ 605.00	\$ 655.00	\$ 700.00	\$ 745.00	\$ 800.00	\$ 845.00	\$ 895.00	\$ 940.00	\$ 995.00	\$ 1,040.00	\$ 1,085.00	\$ 1,135.00	\$ 1,185.00	\$ 1,235.00	\$ 1,280.00	\$ 1,325.00	\$ 1,385.00	\$ 1,430.00	\$ 1,480.00					
LPM-***/40-A2R0	ALUMINIUM LIGHT BONZE ELOX	400mm	\$ 415.00	\$ 460.00	\$ 505.00	\$ 555.00	\$ 605.00	\$ 655.00	\$ 700.00	\$ 745.00	\$ 800.00	\$ 845.00	\$ 895.00	\$ 940.00	\$ 995.00	\$ 1,040.00	\$ 1,085.00	\$ 1,135.00	\$ 1,185.00	\$ 1,235.00	\$ 1,280.00	\$ 1,325.00	\$ 1,385.00	\$ 1,430.00	\$ 1,480.00					
LPM-***/40-A3R0	ALUMINIUM DARK BRONZE ELOX	400mm	\$ 415.00	\$ 460.00	\$ 505.00	\$ 555.00	\$ 605.00	\$ 655.00	\$ 700.00	\$ 745.00	\$ 800.00	\$ 845.00	\$ 895.00	\$ 940.00	\$ 995.00	\$ 1,040.00	\$ 1,085.00	\$ 1,135.00	\$ 1,185.00	\$ 1,235.00	\$ 1,280.00	\$ 1,325.00	\$ 1,385.00	\$ 1,430.00	\$ 1,480.00					
LPM-***/40-B040	BEECH NATURAL	400mm	\$ 415.00	\$ 470.00	\$ 520.00	\$ 575.00	\$ 615.00	\$ 670.00	\$ 720.00	\$ 765.00	\$ 820.00	\$ 870.00	\$ 915.00	\$ 965.00	\$ 1,020.00	\$ 1,070.00	\$ 1,115.00	\$ 1,165.00	\$ 1,220.00	\$ 1,260.00	\$ 1,315.00	\$ 1,365.00	\$ 1,420.00	\$ 1,460.00	\$ 1,515.00					
LPM-***/40-D040	OAK NATURAL	400mm	\$ 425.00	\$ 480.00	\$ 535.00	\$ 585.00	\$ 630.00	\$ 685.00	\$ 740.00	\$ 780.00	\$ 835.00	\$ 890.00	\$ 935.00	\$ 985.00	\$ 1,040.00	\$ 1,095.00	\$ 1,140.00	\$ 1,135.00	\$ 1,245.00	\$ 1,290.00	\$ 1,345.00	\$ 1,400.00	\$ 1,450.00	\$ 1,495.00	\$ 1,550.00					
LPM-***/40-S6P0	STEEL ROLL UP   RAL 9006	400mm	\$ 480.00	\$ 535.00	\$ 590.00	\$ 650.00	\$ 705.00	\$ 760.00	\$ 815.00	\$ 870.00	\$ 925.00	\$ 980.00	\$ 1,025.00	\$ 1,080.00	\$ 1,135.00	\$ 1,190.00	\$ 1,245.00	\$ 1,305.00	\$ 1,360.00	\$ 1,415.00	\$ 1,470.00	\$ 1,525.00	\$ 1,580.00	\$ 1,635.00	\$ 1,695.00					
LPM-***/40-S6L0	STEEL LINEAR   RAL 9006	400mm	\$ 705.00	\$ 845.00	\$ 890.00	\$ 935.00	\$ 975.00	\$ 1,115.00	\$ 1,160.00	\$ 1,300.00	\$ 1,345.00	\$ 1,385.00	\$ 1,430.00	\$ 1,570.00	\$ 1,615.00	\$ 1,755.00	\$ 1,800.00	\$ 1,840.00	\$ 1,885.00	\$ 2,025.00	\$ 2,070.00	\$ 2,210.00	\$ 2,255.00	\$ 2,295.00	\$ 2,335.00					
LPM-***/40-R0R0	STAINLESS STEEL ROLL UP	400mm																												
LPM-***/40-R0L0	STAINLESS STEEL LINEAR	400mm																												

\* Grills are manufactured from natural materials and as such minor variations in colour are inevitable

\* The manufacturer neither guarantees the given colours nor accepts other claims resulting from variations in colour

\* Frames are NOT grill components, they are trench heater components

\* When fitting LINEAR grills to trench heaters with fans(FVO, FVE, FVP, F2V or F4V) the LINEAR grilles must be ordered together with trench heaters. Structural alterations are necessary

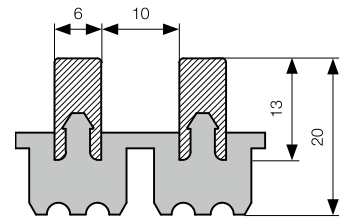
\* LINEAR grill supports are part of standard contents and are included in grill price | \* Mahogany grilles are made to order | \* CROSS grilles are made to order

[\\* REFER TO ORDERING CODES | \\* ALL PRICING IS EXCLUDING GST](#)

# ALUMINIUM ELOX

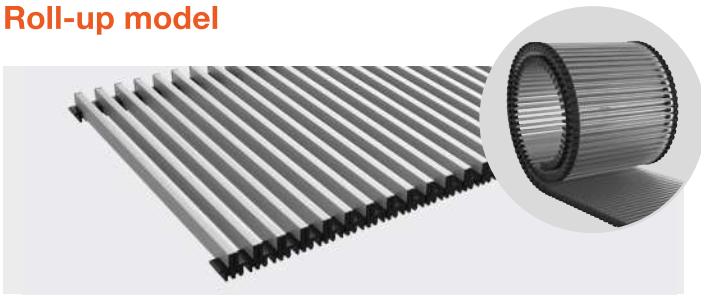


Aluminium elox grilles are suitable for dry and humid environments (where installed in humid environments, grilles must be cleaned regularly with clean water and thoroughly dried). They are available in roll-up and linear models. The standard finish for aluminium grilles is silver elox. Other models are available in dark and light bronze elox. Other RAL colour chart colours are available as powder coating. Both roll-up and linear grilles are supplied as a whole. Decorative frame covers may be chosen using the same colour scheme as grilles, and are supplied as a component of trench heaters.



Measurements shown in mm.

## Roll-up model



alu/silver

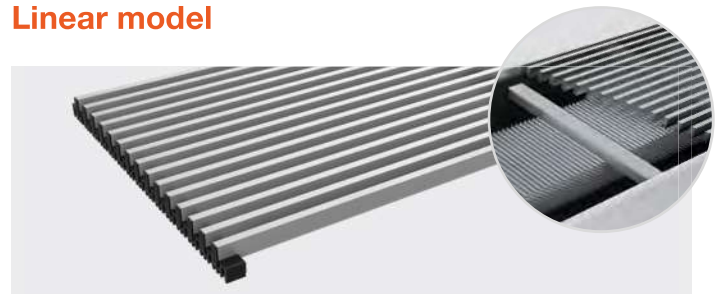
alu/dark bronze

alu/light bronze



The grille can be rolled up for easier handling.

## Linear model



alu/silver

alu/dark bronze

alu/light bronze



Linear grilles are supplied with supports as standard.

## ORDER CODE



Where a linear grille is required, technical consultation is necessary, as the casing may need to undergo alteration. Note, please, that the linear grilles must be ordered together with trench heaters. For more info, see p. 126.

Floor	Grille	Length (cm)	Width (cm)	Grille material	Grille colour	Grille type	Grille ending type
<b>P</b>	<b>M</b>	-	••• / ••	- <b>A</b> aluminium <b>Y</b> alu T-profile solely for curved models and series with curve. See p. 135	<b>1</b> silver elox <b>2</b> dark bronze elox <b>3</b> light bronze elox <b>9</b> other RAL colour	<b>R</b> roll-up <b>L</b> linear	<b>0</b> grille for single trench heater <b>1</b> for multiple installations, <b>2</b> grille ending type is equivalent <b>3</b> to trench heaters on p. 49 or p. 101

### Example order code: **PM-100/26-A1R0**

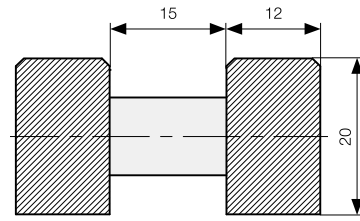
Floor grille, length 100 cm, width 26 cm, aluminium, silver elox, roll-up, for single trench heater w/o alteration.

Grille with F-frame, aluminium, silver elox

# WOOD



Wooden grilles are manufactured using natural wood – beech, oak and mahogany. For wooden roll-up models, each slat is connected by springs and spacers. Wooden grilles are suitable for rooms with laminate or solid wood flooring. Roll-up wooden grilles are supplied without surface treatment. Where lacquered wooden grilles are required, each slat is impregnated with semi-glass colourless alkyd urethane varnish, designed to give a durable gloss coating of wood and exterior wooden fittings.



Measurements shown in mm.

## Roll-up model



Grilles are manufactured from natural materials and as such minor variations in colour are inevitable.

Mahogany grilles are available on special request. Prices and delivery times specified on request.



beech

oak

mahogany



The grille can be rolled up for easier handling.

# ORDER CODE

Floor	Grille	Length (cm)	Width (cm)	Grille material	Grille colour	Spacer type	Grille ending type	
P	M	-	••• / ••	-	B beech D oak M mahogany (dark spacers only)	0 natural 1 lacquered	4 light 2 dark (only mahogany)	0 grille for single trench heater 1 for multiple installations, 2 grille ending type is equivalent 3 to trench heater on p. 49 or p. 101

### Example order code: PM-100/26-B040

Floor grille, length 100 cm, width 26 cm, natural beech with light spacers, for single trench heater w/o alteration.



U-frame cover, silver elox

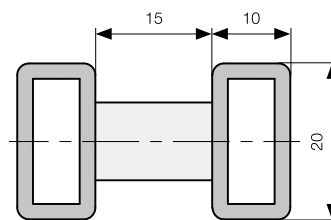


NEW

# STEEL

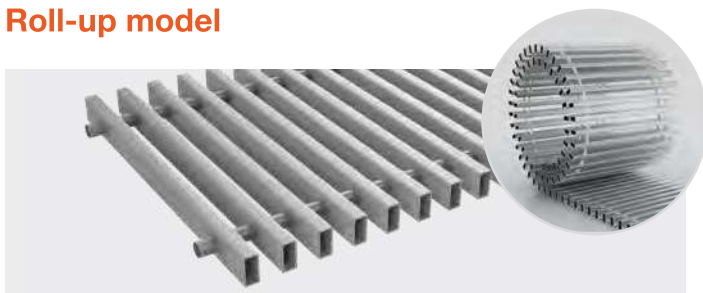


Steel profile grilles are available in roll-up and linear models, and feature high load bearing capacity. They are particularly suitable for public buildings, halls, car showrooms, corridors, etc. Each slat is separated by steel spacers and the entire product is lacquered in the same colour, as standard RAL 9006 (grey) powder coating. Other RAL colour chart colours are, however, available on request.



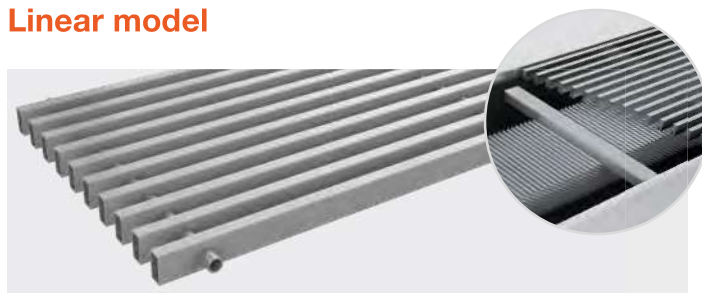
Measurements shown in mm.

## Roll-up model



For steel **roll-up** grilles, each slat is connected by springs and spacers in the same colour as the grille.

## Linear model



For **linear** grilles, each slat is connected by bolts and spacers in the same colour as the grille.



The grille can be rolled up for easier handling.



**Linear** steel grilles 400mm in width are supplied with supports as standard. Other widths are self-supporting.

## ORDER CODE

Floor	Grille	Length (cm)	Width (cm)	Grille material	Grille colour	Grille type	Grille ending type
P	M	- ... /	.. -	S steel	6 RAL 9006 9 other RAL colour	R roll-up L linear	0 grille for single trench heater 1 for multiple installations, 2 grille ending type is equivalent 3 to trench heaters on p. 49 or p. 101

### Example order code: **PM-100/26-S6R0**

Floor grille length 100 cm, width 26 cm, steel model, RAL 9006 colour (grey) lacquered, roll-up, for single trench heater w/o alteration.

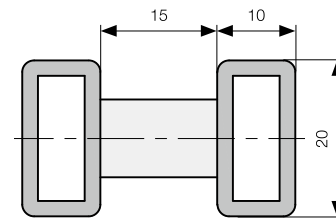


Linear RAL 9006 steel grille, RAL 9006 lacquered U-frame



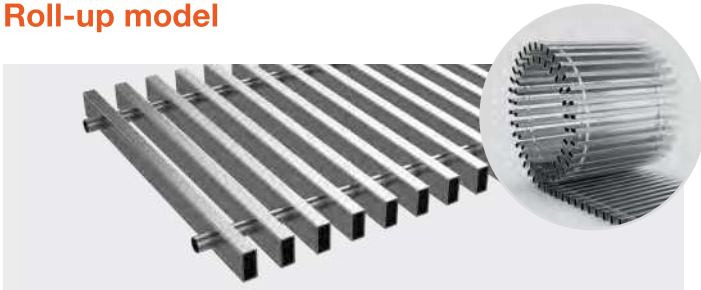
# STAINLESS STEEL

Stainless steel floor grilles are manufactured from brushed AISI 304 stainless steel. Each slat is separated by brushed stainless steel spacers. Stainless steel grilles feature high load bearing capacity. They are particularly suited to luxury interiors, public buildings, art galleries, car showrooms, etc. Stainless steel grilles may only be used in dry environments, and are available in roll-up and linear models.



Measurements shown in mm.

## Roll-up model

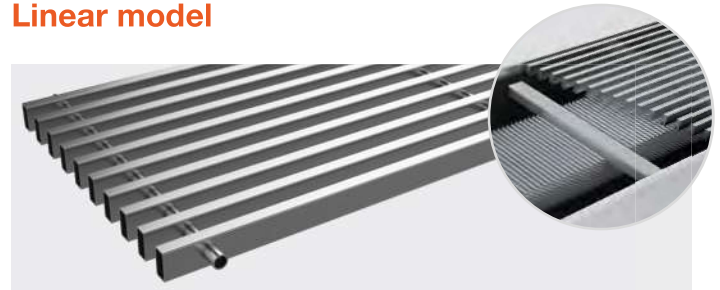


For stainless steel **roll-up** models, each slat is connected by stainless steel springs and spacers.



The grille can be rolled up for easier handling.

## Linear model



For **linear** models, each slat is connected by bolts and stainless steel spacers.



**Linear** steel grilles 400mm in width are supplied with supports as standard. Other widths are self-supporting.

# ORDER CODE

Floor	Grille	Length (cm)	Width (cm)	Grille material	Grille colour	Grille type	Grille ending type
P	M	- ... /	.. -	R stainless steel	0 non-lacquered, brushed	R roll-up L linear	0 grille for single trench heater 1 for multiple installations, 2 grille ending type is equivalent 3 to trench heater on p. 49 or p. 101

### Example order code: **PM-100/26-R0R0**

Floor grille length 100 cm, width 26 cm, AISI 304 stainless steel, non-lacquered, brushed, roll-up, for single trench heater w/o alteration.



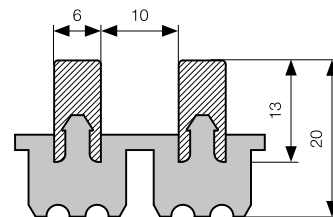
Stainless steel roll-up grille,  
silver elox F-frame

NEW

# THIN

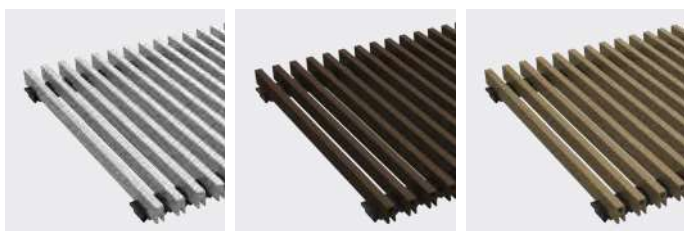
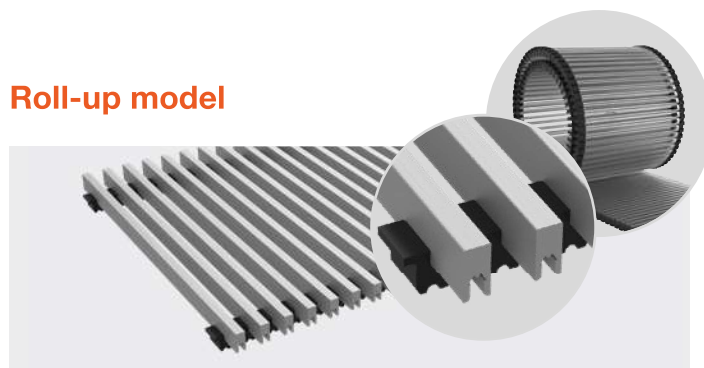


Thin grilles are manufactured from eloxed aluminium and are designed solely for Thin trench heaters. They are only available as a roll-up model. The standard finish for aluminium grilles is silver elox; in addition, dark and light bronze elox are available. Other RAL colour chart colours are available as powder coating. Decorative Thin frame covers may be chosen using the same colour scheme as grilles, and are supplied as a component of trench heaters. Due to space limitations, F-frames are not available for Thin grilles.



Measurements shown in mm.

## Roll-up model



alu/silver

alu/dark bronze

alu/light bronze



The grille can be rolled for easier handling.



F-frame can never be fitted with Thin grilles.

## ORDER CODE

Floor	Grille	Length (cm)	Width (cm)	Grille material	Grille colour	Grille type	Grille ending type
P	M	- ... /	.. -	T aluminium Thin	1 silver elox 2 dark bronze elox 3 light bronze elox 9 other RAL colour	R roll-up	0 grille for single trench heater 1 for multiple installations, 2 grille ending type is equivalent 3 to trench heater on p. 49 or p. 101

### Example order code: PM-100/26-T1R0

Floor grille length 100 cm, width 26 cm, aluminium Thin model, silver elox, roll-up, for single trench heater w/o alterations.



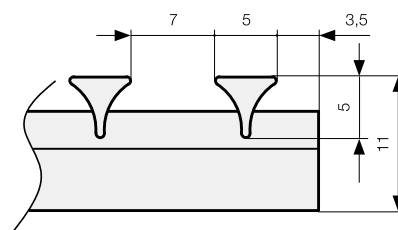
Thin light bronze grille  
Thin frame cover



# CROSS



Cross grilles are manufactured from steel and are designed solely for dry environments. Due to their inherent strength and pencil proff design, they are suitable for trench heaters installed in restaurants, bars, lobbies and similar spaces, where a higher level of safety is required. Cross grilles are as standard lacquered with RAL 9006 (grey) powder coating; other RAL colour chart colours are available. **Cross grilles are rigid and supplied built-in to the trench heater. Due to their precise fit, Cross grilles must be ordered together with trench heaters.** Trench heaters casing must be adapted to fit the Cross grille and are finished with Cross frames (see picture on p. 127). Cross grilles are suitable for design solutions and cannot be combined with U, F or Thin frames.



Measurements shown in mm.

## Linear model



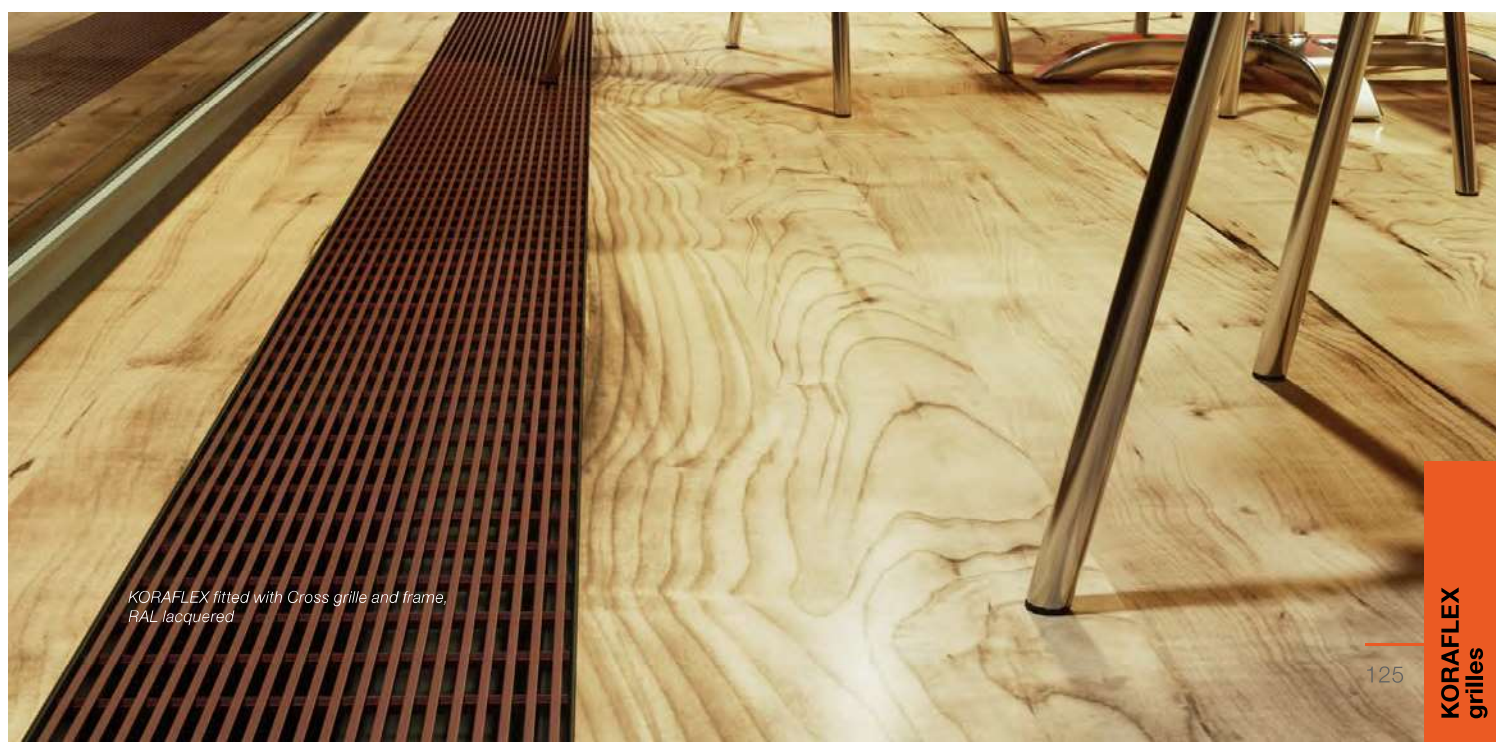
**Cross grilles are ordered custom-made.**  
**Prices and delivery times specified on request.**

## ORDER CODE

Floor	Grille	Length (cm)	Width (cm)	Grille material	Grille colour	Grille type	Grille ending type
P	M	- ... /	.. -	C Cross	6 RAL 9006 9 other RAL colour	L linear	0 grille for single trench heater 1 } for multiple installations, 2 } grille ending type is equivalent 3 } to trench heaters on p. 49 or p. 101

### Example order code: **PM-100/26-C6L0**

Floor grille length 100 cm, width 26 cm, steel Cross model, RAL 9006 colour (grey) lacquered, linear, for single trench heater w/o alterations.

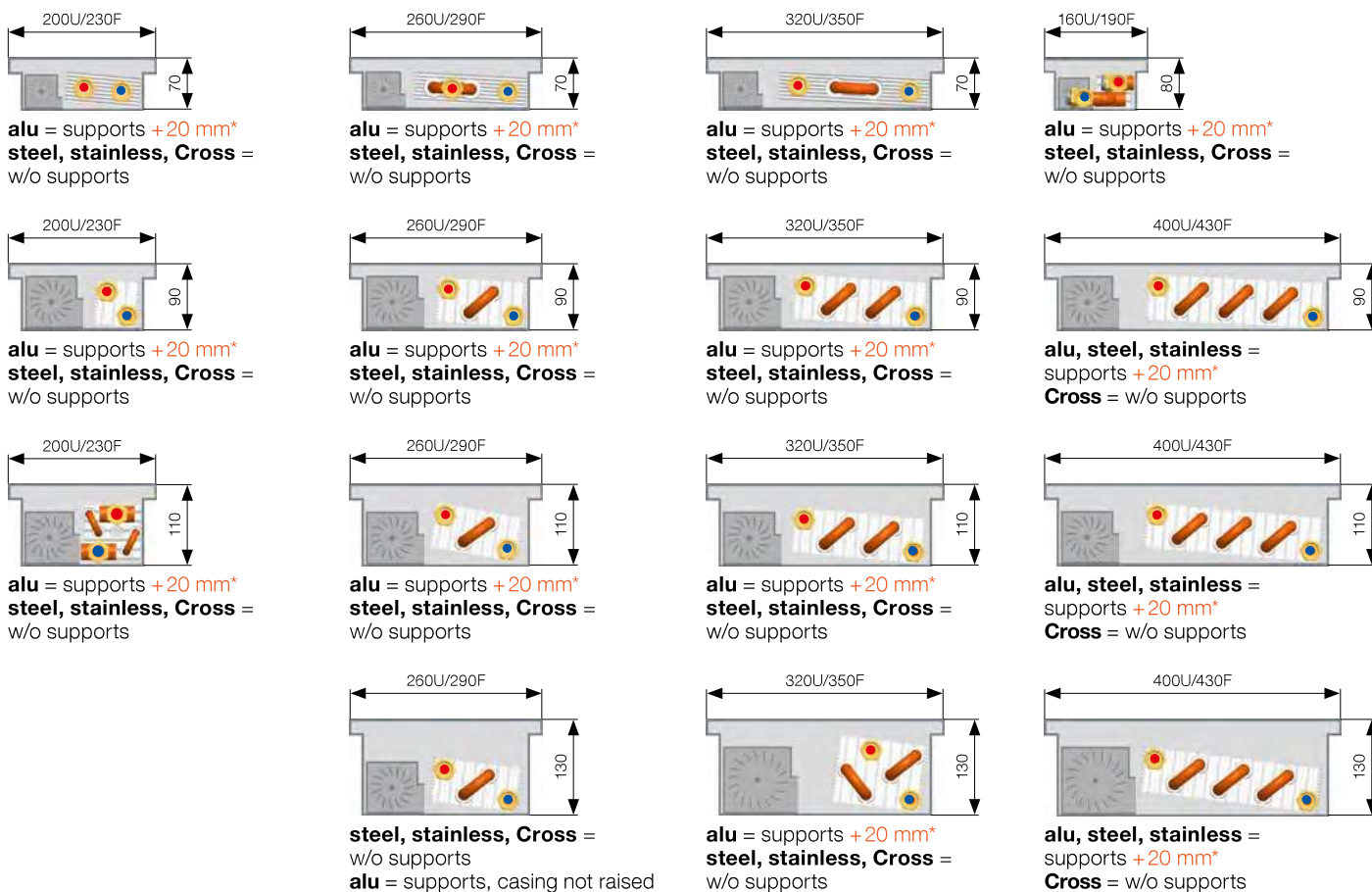


*KORAFLEX fitted with Cross grille and frame.  
 RAL lacquered*

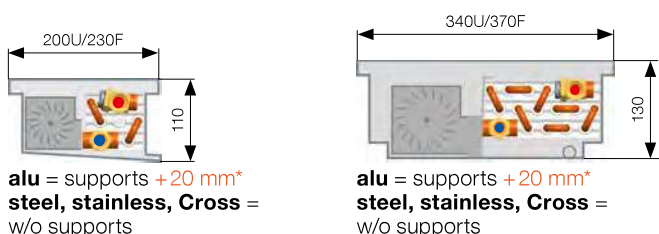
# LINEAR GRILLE SUPPORTS

When using linear grilles, FV trench heater model casings must be raised by 20 mm to enable correct installation of supports for this type of grille. When ordering linear grilles for all types of trench heaters, the actual depth including the 20 mm increase must be entered as the 'depth' value in the order code. Supports are not necessary for steel and stainless steel grilles up to a width of 320 mm – these grilles are self-supporting. All other linear grilles require supports. Example trench heater measurements with linear grilles: FVO 200/70 with roll-up grille = FVO 200/90 with linear grille.

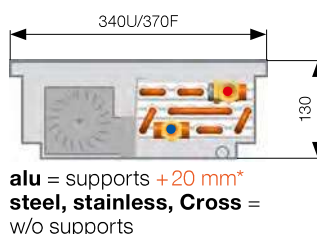
## KORAFLEX Optimal-V FVO, Energy FVE



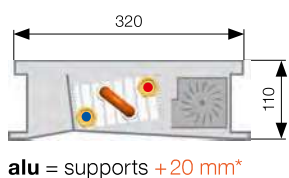
## KORAFLEX Model F2V



## KORAFLEX Model F4V



## KORAFLEX Pool-V FVP



\* given trench heater casing heights must be raised by 20 mm.

# GRILLES

## Measurements

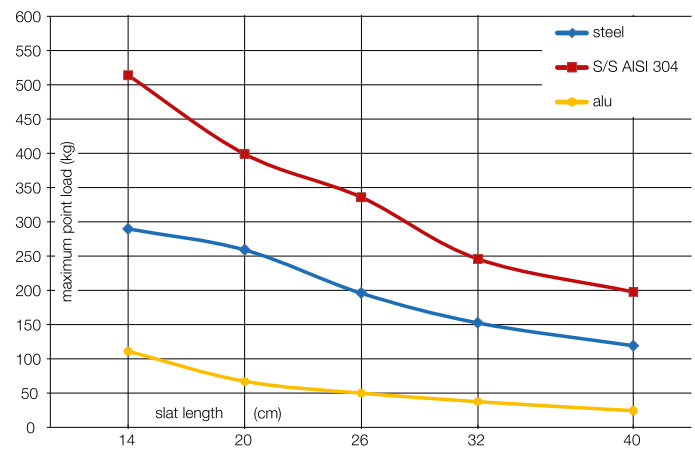
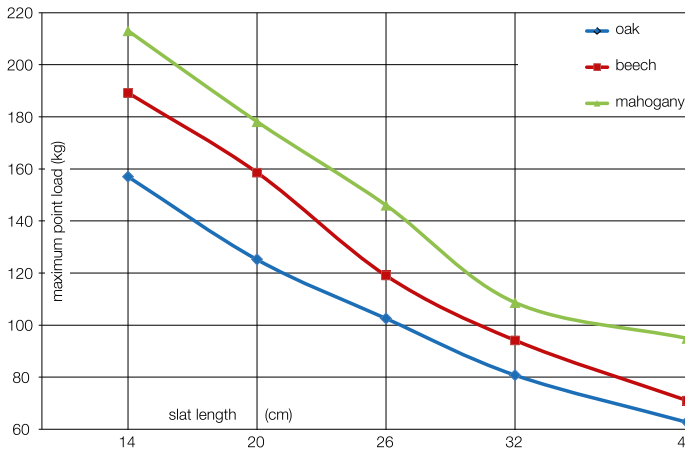
Code	PM-xx/ 14	PM-xx/ 16	PM-xx/ 20	PM-xx/ 26	PM-xx/ 32	PM-xx/ 34	PM-xx/ 40
<b>Width - netto (mm)</b>	128	148	188	248	308	328	388

Tolerance +0-1.5 mm. Code width is derived from trench heater width.

## Grille airflow

alu	wood	steel	stain- less	Thin	Cross
63 %	55 %	60 %	60 %	63 %	58 %

## Load bearing capacity



In load bearing capacity testing, grille slats are placed on two supports and weighed down in centre.

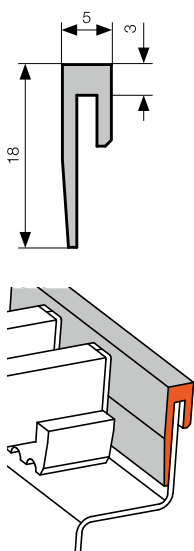
For wooden slats, values are given up to the fracture point of the first fibre. Metal slats are measured up to the point of irreversible deflection.

# FRAMES

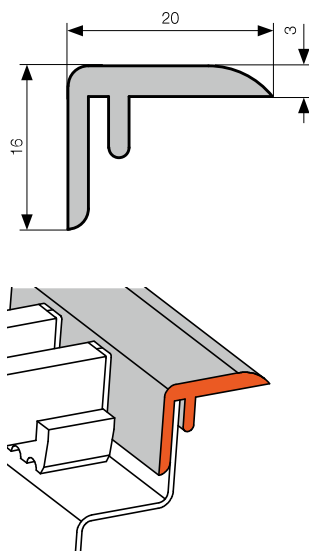


Decorative frames are available as standard in aluminium with silver, dark bronze or light bronze elox finishes. Frames may also be lacquered (powder coated) using colours from the RAL colour chart. Frames are in every case supplied as a component of trench heaters, and the type required must be specified when ordering in the Order Code. Where trench heaters are finished with a hem, the hem is of the same material as the casing.

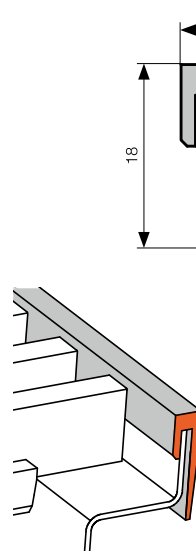
**U-frame**  
Standard



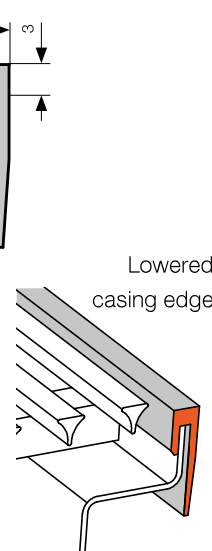
**F-frame**  
Optional



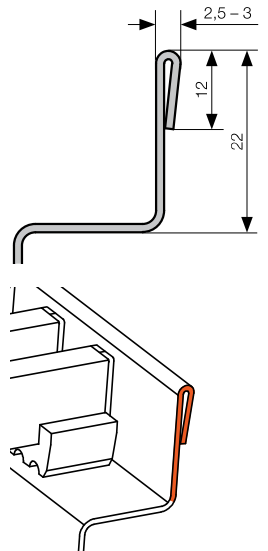
**Thin frame**



**Cross frame**



**Hem**



Measurements shown in mm.





# [ Licon OKN • OKNB

## WALL MOUNTED CONVECTORS natural convection

Apart from their design the wall mounted convectors also offer many other advantages: efficient operation, higher performance at smaller dimensions, faster onset of heat. You won't burn yourself with our convectors! Surface max. temperature is 40 °C and the heat is transferred to the space of the room, and not into the wall. PLAN – design solution of wall mounted convector with flat front panel.



## Wall mounted convectors with natural convection Licon OKN • OKNB

The wall mounted convectors Licon OKN are standard wall mounted convectors with a long history, used in households as well as in commercial premises. The modern design, easy mounting and economical operation are the reasons why they are so popular with our customers. With regard to the unique design of the heat exchanger used they achieve higher outputs even with small dimensions of the element. The great advantage of the wall mounted convectors OKN is their very low surface temperature of 40 °C and no heat dissipation into the wall.

### Wall mounted convectors' classification

- OKN
- OKNB (InPool) – element intended for humid environment
- OKN PLAN – element with flat front panel

### Standard delivery contains

- sheathing of zinc galvanised steel sheet coated in shade RAL 9010 – white
- Al/Cu heat exchanger with low water content, air vent and uniquely shaped lamellas for a higher heat output
- version with the bottom or side connection (according to the code in the order)
- set for suspension of the element on the wall containing dowels, screws and suspension brackets
- the set is packed in durable packaging and contains an installation instructions

### Specification

height (mm)	450, 600
depth (mm)	60, 120
length (mm)	400, 600, 800, 1 000, 1 200, 1 400, 1 600, 1 800, 2 000
heat output (W)	from 266 to 2 598
max. working pressure (bar)	12
max. working temperature	110 °C
max. surface temperature	40 °C
connecting thread	inner G 1/2"
connection method	recommended bottom connection, side

Version Economic (OKN) • sheathing of zinc galvanised steel sheet coated in shade RAL 9010

Version InPool (OKNB) • sheathing made of stainless steel AISI 316 and coated with RAL 9010 colour; intended for humid environment

### Selectable specification

- in case of ordering more than 5 pieces it is possible to choose another colour shade finish according to the RAL scale (the manufacturer must be consulted about the change)
- all-stainless steel design suitable for humid environments such as swimming pools, stainless steel AISI 316 coated in white colour shade RAL 9010
- in case of low temperature gradient or lack of performance the OKIOC unit can be used, see page 62

### Design version Licon OKN PLAN

PLAN with an absolutely straight front plate.





# LICON KORAWALL CONVECTORS | 2023

CODE	DESCRIPTION	OUTPUT WATTS 75 65 20°C	OUTPUT WATTS 55 45 20°C	LIST PRICE
------	-------------	----------------------------	----------------------------	------------

**KORAWALL WALL MOUNTED CONVECTORS | \* HEIGHT: 450mm | \* DEPTH: 60mm**

LOKN-040-45-06-SP	450mm x 0400mm	266	199	\$ 530.00
LOKN-060-45-06-SP	450mm x 0600mm	400	299	\$ 665.00
LOKN-080-45-06-SP	450mm x 0800mm	533	399	\$ 805.00
LOKN-100-45-06-SP	450mm x 1000mm	665	498	\$ 940.00
LOKN-120-45-06-SP	450mm x 1200mm	799	598	\$ 1,050.00
LOKN-140-45-06-SP	450mm x 1400mm	933	698	\$ 1,185.00
LOKN-160-45-06-SP	450mm x 1600mm	1065	797	\$ 1,320.00
LOKN-180-45-06-SP	450mm x 1800mm	1199	897	\$ 1,455.00
LOKN-200-45-06-SP	450mm x 2000mm	1332	997	\$ 1,600.00

**\* ECONOMIC UNPAINTED STEEL EXCHANGER**

**KORAWALL WALL MOUNTED CONVECTORS | \* HEIGHT: 450mm | \* DEPTH: 120mm**

LOKN-040-45-12-SP	450mm x 0400mm	449	336	\$ 600.00
LOKN-060-45-12-SP	450mm x 0600mm	675	505	\$ 750.00
LOKN-080-45-12-SP	450mm x 0800mm	902	675	\$ 905.00
LOKN-100-45-12-SP	450mm x 1000mm	1127	843	\$ 1,060.00
LOKN-120-45-12-SP	450mm x 1200mm	1354	1013	\$ 1,120.00
LOKN-140-45-12-SP	450mm x 1400mm	1578	1181	\$ 1,260.00
LOKN-160-45-12-SP	450mm x 1600mm	1804	1350	\$ 1,405.00
LOKN-180-45-12-SP	450mm x 1800mm	2030	1519	\$ 1,545.00
LOKN-200-45-12-SP	450mm x 2000mm	2258	1690	\$ 1,700.00

**\* ECONOMIC UNPAINTED STEEL EXCHANGER**

- \* SP = BOTTOM RIGHT CONNECTION
- \* SL = BOTTOM LEFT CONNECTION
- \* BP = SIDE RIGHT CONNECTION
- \* BL = SIDE LEFT CONNECTION

**\* KORAWALL NOT A STOCKED ITEM | \* LEAD TIME 12-16 WEEK FROM ORDER DATE**

**\* ALL PRICING IS EXCLUDING GST**



# LICON KORAWALL CONVECTORS | 2023

CODE	DESCRIPTION	OUTPUT WATTS 75 65 20°C	OUTPUT WATTS 55 45 20°C	LIST PRICE
------	-------------	----------------------------	----------------------------	------------

**KORAWALL WALL MOUNTED CONVECTORS | \* HEIGHT: 600mm | \* DEPTH: 60mm**

LOKN-040-60-06-SP	600mm x 0400mm	291	218	\$ 600.00
LOKN-060-60-06-SP	600mm x 0600mm	436	327	\$ 740.00
LOKN-080-60-06-SP	600mm x 0800mm	582	435	\$ 880.00
LOKN-100-60-06-SP	600mm x 1000mm	727	544	\$ 985.00
LOKN-120-60-06-SP	600mm x 1200mm	873	653	\$ 1,105.00
LOKN-140-60-06-SP	600mm x 1400mm	1018	762	\$ 1,270.00
LOKN-160-60-06-SP	600mm x 1600mm	1159	867	\$ 1,405.00
LOKN-180-60-06-SP	600mm x 1800mm	1304	976	\$ 1,555.00
LOKN-200-60-06-SP	600mm x 2000mm	1450	1085	\$ 1,710.00

**\* ECONOMIC UNPAINTED STEEL EXCHANGER**

**KORAWALL WALL MOUNTED CONVECTORS | \* HEIGHT: 600mm | \* DEPTH: 120mm**

LOKN-040-60-12-SP	600mm x 0400mm	519	388	\$ 620.00
LOKN-060-60-12-SP	600mm x 0600mm	779	583	\$ 795.00
LOKN-080-60-12-SP	600mm x 0800mm	1039	777	\$ 910.00
LOKN-100-60-12-SP	600mm x 1000mm	1298	972	\$ 1,085.00
LOKN-120-60-12-SP	600mm x 1200mm	1558	1166	\$ 1,170.00
LOKN-140-60-12-SP	600mm x 1400mm	1818	1360	\$ 1,310.00
LOKN-160-60-12-SP	600mm x 1600mm	2078	1555	\$ 1,445.00
LOKN-180-60-12-SP	600mm x 1800mm	2338	1749	\$ 1,600.00
LOKN-200-60-12-SP	600mm x 2000mm	2598	1944	\$ 1,760.00

**\* ECONOMIC UNPAINTED STEEL EXCHANGER**

- \* SP = BOTTOM RIGHT CONNECTION
- \* SL = BOTTOM LEFT CONNECTION
- \* BP = SIDE RIGHT CONNECTION
- \* BL = SIDE LEFT CONNECTION

**\* KORAWALL NOT A STOCKED ITEM | \* LEAD TIME 12-16 WEEK FROM ORDER DATE**

**\* ALL PRICING IS EXCLUDING GST**



# LICON KORAWALL CONVECTORS | 2023

CODE	DESCRIPTION	OUTPUT WATTS 75 65 20°C	OUTPUT WATTS 55 45 20°C	LIST PRICE
------	-------------	----------------------------	----------------------------	------------

**KORAWALL IN-POOL WALL MOUNTED CONVECTORS | \* HEIGHT: 450mm | \* DEPTH 60mm**

LOKNB-040-45-06-SP	450mm x 0400mm	266	199	\$ -
LOKNB-060-45-06-SP	450mm x 0600mm	400	299	\$ -
LOKNB-080-45-06-SP	450mm x 0800mm	533	399	\$ -
LOKNB-100-45-06-SP	450mm x 1000mm	665	498	\$ -
LOKNB-120-45-06-SP	450mm x 1200mm	799	598	\$ -
LOKNB-140-45-06-SP	450mm x 1400mm	933	698	\$ -
LOKNB-160-45-06-SP	450mm x 1600mm	1065	797	\$ -
LOKNB-180-45-06-SP	450mm x 1800mm	1199	897	\$ -
LOKNB-200-45-06-SP	450mm x 2000mm	1332	997	\$ -

**\* IN-POOL STAINLESS STEEL WHITE / UNPAINTED EXCHANGER**

**KORAWALL IN-POOL WALL MOUNTED CONVECTORS | \* HEIGHT: 450mm | \* DEPTH 120mm**

LOKNB-040-45-12-SP	450mm x 0400mm	449	336	\$ -
LOKNB-060-45-12-SP	450mm x 0600mm	675	505	\$ -
LOKNB-080-45-12-SP	450mm x 0800mm	902	675	\$ -
LOKNB-100-45-12-SP	450mm x 1000mm	1127	843	\$ -
LOKNB-120-45-12-SP	450mm x 1200mm	1354	1013	\$ -
LOKNB-140-45-12-SP	450mm x 1400mm	1578	1181	\$ -
LOKNB-160-45-12-SP	450mm x 1600mm	1804	1350	\$ -
LOKNB-180-45-12-SP	450mm x 1800mm	2030	1519	\$ -
LOKNB-200-45-12-SP	450mm x 2000mm	2258	1690	\$ -

**\* IN-POOL STAINLESS STEEL WHITE / UNPAINTED EXCHANGER**

**\* SP = BOTTOM RIGHT CONNECTION**

**\* SL = BOTTOM LEFT CONNECTION**

**\* BP = SIDE RIGHT CONNECTION**

**\* BL = SIDE LEFT CONNECTION**

**\* KORAWALL NOT A STOCKED ITEM | \* LEAD TIME 12-16 WEEK FROM ORDER DATE**

**\* ALL PRICING IS EXCLUDING GST**



# LICON KORAWALL CONVECTORS | 2023

CODE	DESCRIPTION	OUTPUT WATTS 75 65 20°C	OUTPUT WATTS 55 45 20°C	LIST PRICE
------	-------------	----------------------------	----------------------------	------------

KORAWALL IN-POOL WALL MOUNTED CONVECTORS   * HEIGHT: 600mm   * DEPTH 60mm
---

LOKNB-040-60-06-SP	600mm x 0400mm	291	218	\$ -
LOKNB-060-60-06-SP	600mm x 0600mm	436	327	\$ -
LOKNB-080-60-06-SP	600mm x 0800mm	582	435	\$ -
LOKNB-100-60-06-SP	600mm x 1000mm	727	544	\$ -
LOKNB-120-60-06-SP	600mm x 1200mm	873	653	\$ -
LOKNB-140-60-06-SP	600mm x 1400mm	1018	762	\$ -
LOKNB-160-60-06-SP	600mm x 1600mm	1159	867	\$ -
LOKNB-180-60-06-SP	600mm x 1800mm	1304	976	\$ -
LOKNB-200-60-06-SP	600mm x 2000mm	1450	1085	\$ -

\* IN-POOL STAINLESS STEEL WHITE / UNPAINTED EXCHANGER

KORAWALL IN-POOL WALL MOUNTED CONVECTORS   * HEIGHT: 600mm   * DEPTH 120mm
--

LOKNB-040-60-12-SP	600mm x 0400mm	519	388	\$ -
LOKNB-060-60-12-SP	600mm x 0600mm	779	583	\$ -
LOKNB-080-60-12-SP	600mm x 0800mm	1039	777	\$ -
LOKNB-100-60-12-SP	600mm x 1000mm	1298	972	\$ -
LOKNB-120-60-12-SP	600mm x 1200mm	1558	1166	\$ -
LOKNB-140-60-12-SP	600mm x 1400mm	1818	1360	\$ -
LOKNB-160-60-12-SP	600mm x 1600mm	2078	1555	\$ -
LOKNB-180-60-12-SP	600mm x 1800mm	2338	1749	\$ -
LOKNB-200-60-12-SP	600mm x 2000mm	2598	1944	\$ -

\* IN-POOL STAINLESS STEEL WHITE / UNPAINTED EXCHANGER

\* SP = BOTTOM RIGHT CONNECTION

\* SL = BOTTOM LEFT CONNECTION

\* BP = SIDE RIGHT CONNECTION

\* BL = SIDE LEFT CONNECTION

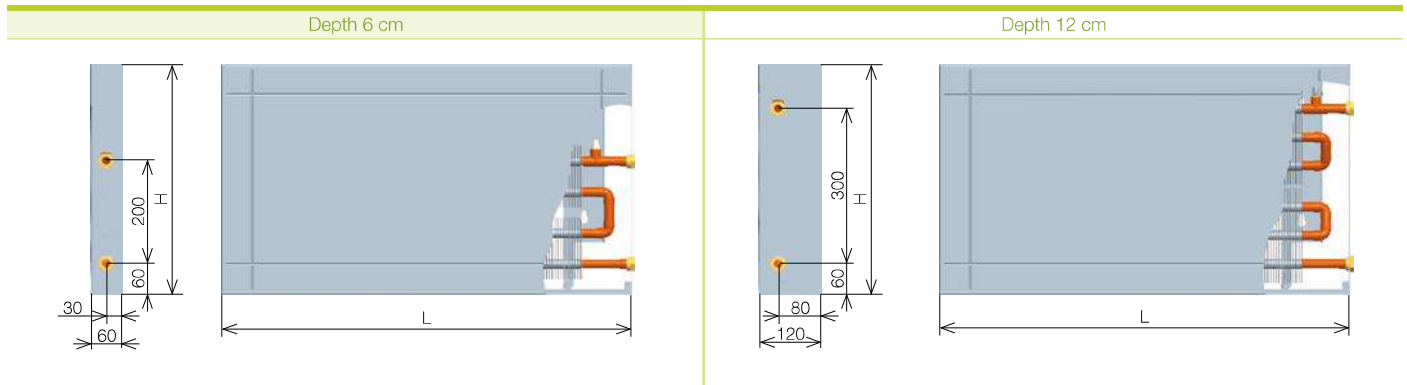
* KORAWALL NOT A STOCKED ITEM   * LEAD TIME 12-16 WEEK FROM ORDER DATE
--

* ALL PRICING IS EXCLUDING GST
--------------------------------

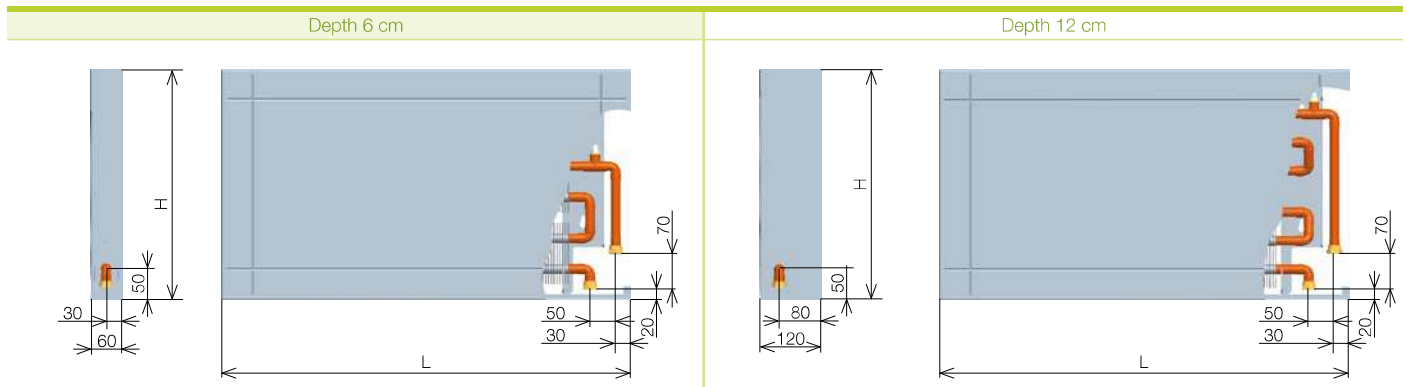


# Elements' sections

## Side connection



## Bottom connection



OKN is available in right or left version. The connecting side must be indicated in the order. In the schematic representations the dimensions are expressed in mm.

# Heat outputs

Heat outputs (W) at  $t_1/t_2/t_i = 75/65/20\text{ }^\circ\text{C}$  ( $\Delta t=50$ ) and  $65/55/20\text{ }^\circ\text{C}$  ( $\Delta t=40$ ) / EN 442

Depth (cm)	$\Delta t$	Length L (cm)									
		40	60	80	100	120	140	160	180	200	
Height 45	6	$\Delta t$ 50	266	400	533	665	799	933	1065	1199	1332
		$\Delta t$ 40	199	299	399	498	598	698	797	897	997
	12	$\Delta t$ 50	449	675	902	1127	1354	1578	1804	2030	2258
		$\Delta t$ 40	336	505	675	843	1013	1181	1350	1519	1690
Height 60	6	$\Delta t$ 50	291	436	582	727	873	1018	1159	1304	1450
		$\Delta t$ 40	218	327	435	544	653	762	867	976	1085
	12	$\Delta t$ 50	519	779	1039	1298	1558	1818	2078	2338	2598
		$\Delta t$ 40	388	583	777	972	1166	1360	1555	1749	1944

• temperature exponent  $m = 1.3$



## Design solutions

The wall mounted heating elements OKN, OKNB have on their front face a significant design element, which consists of one design section in the lengths from 40 to 120 cm, two sections in the lengths from 140 to 180 cm and three sections in the length of 200 cm.

# Correction factor $k_t$ for a variant temperature difference $\Delta t$ (K)



$\Delta t$ (K)	18	19	20	21	22	23	24	25	26	27	28	29	30	31	32	33
$k_t$	0.265	0.284	0.304	0.324	0.344	0.364	0.385	0.406	0.427	0.449	0.471	0.493	0.515	0.537	0.560	0.583
$\Delta t$ (K)	34	35	36	37	38	39	40	41	42	43	44	45	46	47	48	49
$k_t$	0.606	0.629	0.652	0.676	0.700	0.724	0.748	0.773	0.797	0.822	0.847	0.872	0.897	0.923	0.948	0.974
$\Delta t$ (K)	50	51	52	53	54	55	56	57	58	59	60					
$k_t$	1.000	1.026	1.052	1.079	1.105	1.132	1.159	1.186	1.213	1.240	1.267					

• temperature exponent  $m = 1.3$

See the formula and example of conversion to a variant temperature difference on page 77.

## Weights and water volumes of wall mounted convectors

### OKNB pool version

Convectors intended for use at pools must be kept clean and regularly washed with clean water. More about the service and warranty conditions on [www.licon.cz](http://www.licon.cz) in the download section.

Type	45/6	60/6	45/12	60/12
kg/linear meter	14.9	19	16.4	20.6
stainless steel kg/1 linear meter	11.5	14.5	13	16
l/1 linear meter	1	1.5	1	1.5

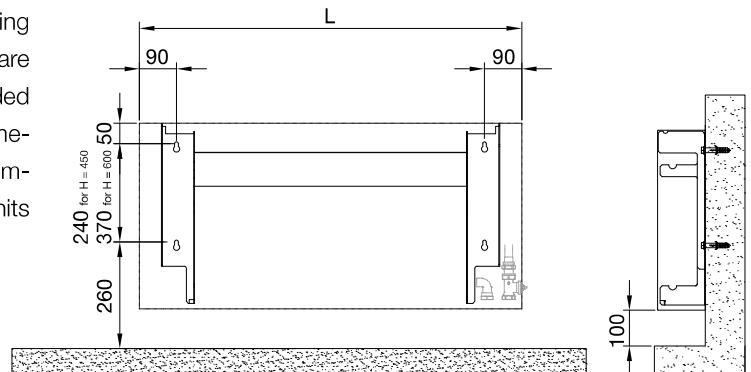
The listed weights are without a packaging.

## Installation of convectors Licon OKN • OKNB

### Installation instructions

It is recommended to always position the wall mounted heating element on a peripheral wall, 10 cm above the floor. Elements are suspended on the wall with the use of dowels and screws included in the packaging. See the sketch of element anchorage for the method of suspension on the wall. The elements are supplied assembled. Detailed information about installation and fixing the units OKN can be found in Assembly Instructions.

### Anchoring diagram



## Ordering codes Wall mounted convectors OKN • OKNB

			length	height	depth	Sheathing finish PLAN of one piece no design				
Economic	steel/unpainted exchanger	OKN	-	...	/	...	/	..	-	SP
InPool*	stainless steel for humid environment white/unpainted exchanger	OKNB	-	...	/	...	/	..	-	SP

\* custom-made design

Wall mounted convectors Licon OKN  
Wall mounted convectors Licon OKNB

Water inlet  
SP bottom, right  
SL bottom, left  
BP side, right  
BL side, left

ORDERING CODE: OKN length/height/depth (in cm) connection (B – side, S – bottom) connection side (L – left, P – right) PLAN version (PLAN). Example: OKN-140/60/9-SP = OKN convector element, length 140 cm, height 60 cm, depth 6 cm, bottom connection on the right side.

# KORAFLEX

## Optimal-V FVO

---

Trench heaters with forced convection for heating in a wide range of models, with 24 V DC connection



# KORAFLEX

## Optimal Energy FVE

---

Trench heater with forced convection for heating, with 230 V AC connection



# KORAFLEX Optimal-V FVO



## Specifications

<b>Depth</b>	<b>70, 80, 90, 110, 130 mm</b>
<b>Width</b>	160, 200, 260, 320, 400 mm
<b>Length</b>	800 to 3 000 mm (by 200 mm)
<b>Heat output</b>	from 54 to 16 763 W
<b>Max. operating pressure</b>	1,2 MPa
<b>Max. operating temperature</b>	110 °C
<b>Connecting thread</b>	inner G 1/2"
<b>IP rating</b>	IP 20

**KORAFLEX Optimal-V FVO** represents our widest range of trench heaters with forced convection. Optimal-V trench heaters are available with a wide range of grilles and frames. They are characterized by silent operation, and can be connected to BMS (Building Management System).



**ECONOMIC version** – black lacquered galvanized steel casing, non-lacquered heat exchanger

**EXCLUSIVE version** – black lacquered galvanized steel casing, RAL 9005 black lacquered heat exchange

## Standard contents

- RAL 9005 black lacquered galvanized steel casing
- Economic – non-lacquered Al/Cu heat exchanger with bleed valve
- Exclusive – RAL 9005 black lacquered Al/Cu heat exchanger with bleed valve
- aluminium U-frame silver elox
- metal cover plates
- set of low-energy EC fans 24 V DC
- 24 V DC terminal block and regulator (FCR BOX)
- levelling set screws and 4 anchors
- spacers for correct installation and concreting
- hardboard cover to protect trench heaters from contamination
- durable packaging, installation instructions

## Optional accessories

- choice of grilles
- Cross grille – design solutions – necessary to order together with trench heater – for more info, see p. 125
- light/dark bronze elox or RAL colour chart lacquered aluminium U-frame
- silver, light/dark bronze elox or RAL colour chart lacquered aluminium F-frame
- 24 V DC power supply
- 24 V DC thermostat for regulation
- 24 V DC thermostatic actuator, 2.5 m or 5 m cable length
- NTC temperature sensor
- external room sensor
- infrared remote control
- R-BOX
- sound insulation sheet
- raised floor structural supports
- lockshield, thermostatic valve
- ½"x½" 90° brass elbow for connection facilitation
- 10, 12 or 30 cm flexible stainless steel hose
- strengthened OSB cover for installation purposes

*For more information about optional accessories and order codes, see p. 103–105*

## Suitable grilles



*For descriptions of available grilles including order codes, see p. 120–127.*

## Specifications

<b>Depth</b>	<b>70, 80, 90, 110, 130 mm</b>
<b>Width</b>	160, 200, 260, 320, 400 mm
<b>Length</b>	1 000 to 3 000 mm (by 200 mm)
<b>Heat output</b>	from 54 to 15 517 W
<b>Max. operating pressure</b>	1.2 MPa
<b>Max. operating temperature</b>	110 °C
<b>Connecting thread</b>	inner G 1/2"
<b>IP rating</b>	IP 20

**ECONOMIC version** – black lacquered galvanized steel casing, non-lacquered heat exchanger

**EXCLUSIVE version** – black lacquered galvanized steel casing, RAL 9005 black lacquered heat exchanger

## Standard contents

- RAL 9005 black lacquered galvanized steel casing
- Economic – non-lacquered Al/Cu heat exchanger with bleed valve
- Exclusive – RAL 9005 black lacquered Al/Cu heat exchanger with bleed valve
- aluminium U-frame, silver elox
- metal cover plates
- set of low-energy EC fans 24 V DC
- 230 V AC terminal block and 24 V DC regulator (FCR BOX)
- power supply 230 V AC/24 V DC
- levelling set screws and 4 anchors
- spacers for correct installation and concreting
- hardboard cover to protect trench heaters from contamination
- durable packaging, installation instructions



Assembly and connection must be carried out by suitably qualified persons. An inspection and testing of electrical installations in accordance with ČSN 33 1500 must be carried out.

**KORAFLEX Energy FVE** is based on the Optimal-V range, extended by 200mm and fitted with regulation for 230 V AC connection. Energy 230 V AC trench heaters are suitable for dry environments and are solely for heating. They are characterized by silent operation and can be connected to BMS (Building Management System).



## Optional accessories

- choice of grilles
- Cross grille – design solutions – necessary to order together with trench heater – for more info, see p. 125
- light/dark bronze elox or RAL colour chart lacquered aluminium U-frame
- silver, light/dark bronze elox or RAL colour chart lacquered aluminium F-frame
- 24 V DC thermostat for regulation
- 24 V DC thermostatic actuator, 2.5 m or 5 m cable length
- NTC temperature sensor
- external room sensor
- infrared remote control
- R BOX
- sound insulation sheet
- raised floor structural supports
- lockshield, thermostatic valve
- ½"x½" 90° brass elbow for connection facilitation
- 10, 12 or 30 cm flexible stainless steel hose
- strengthened OSB cover for installation purposes

For more information about optional accessories and order codes, see p. 103–105

## Suitable grilles



Linear grilles are available only after technical alterations to the casing. For more info see p. 126.

For descriptions of available grilles including order codes, see p. 120–127.



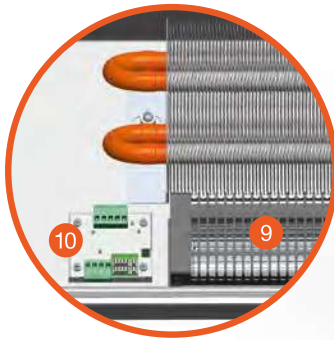
# TRENCH HEATER COMPONENTS

- 1 RAL 9005 black lacquered galvanized steel casing
- 2 choice of grille
- 3 choice of frame
- 4 Al/Cu heat exchanger
- 5 anchors
- 6 levelling set screws
- 7 metal cover plates
- 8 spacer for correct installation and concreting

## Regulation RT

- 9 EC 24 V DC fan
- 10 regulator (FCR BOX)

24  
V DC



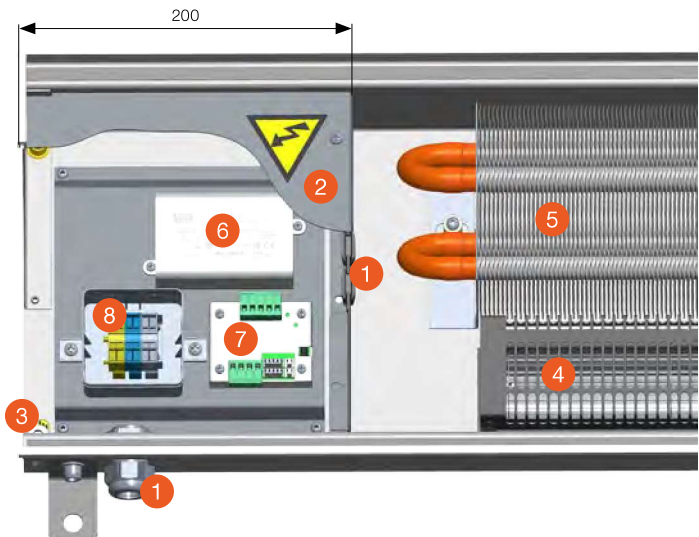
230  
V AC

## KORAFLEX Energy FVE

Specially adapted space in the trench heater casing. 200 mm longer than the Optimal-V model, fitted with 230 V DC regulation.

- 1 cable bushing
  - 2 metal cover plate
  - 3 earth
  - 4 EC fan
  - 5 Al/Cu heat exchanger
- RE Regulation**
- 6 230 V AC/24 V DC power supply
  - 7 FCR BOX regulator
  - 8 terminal block

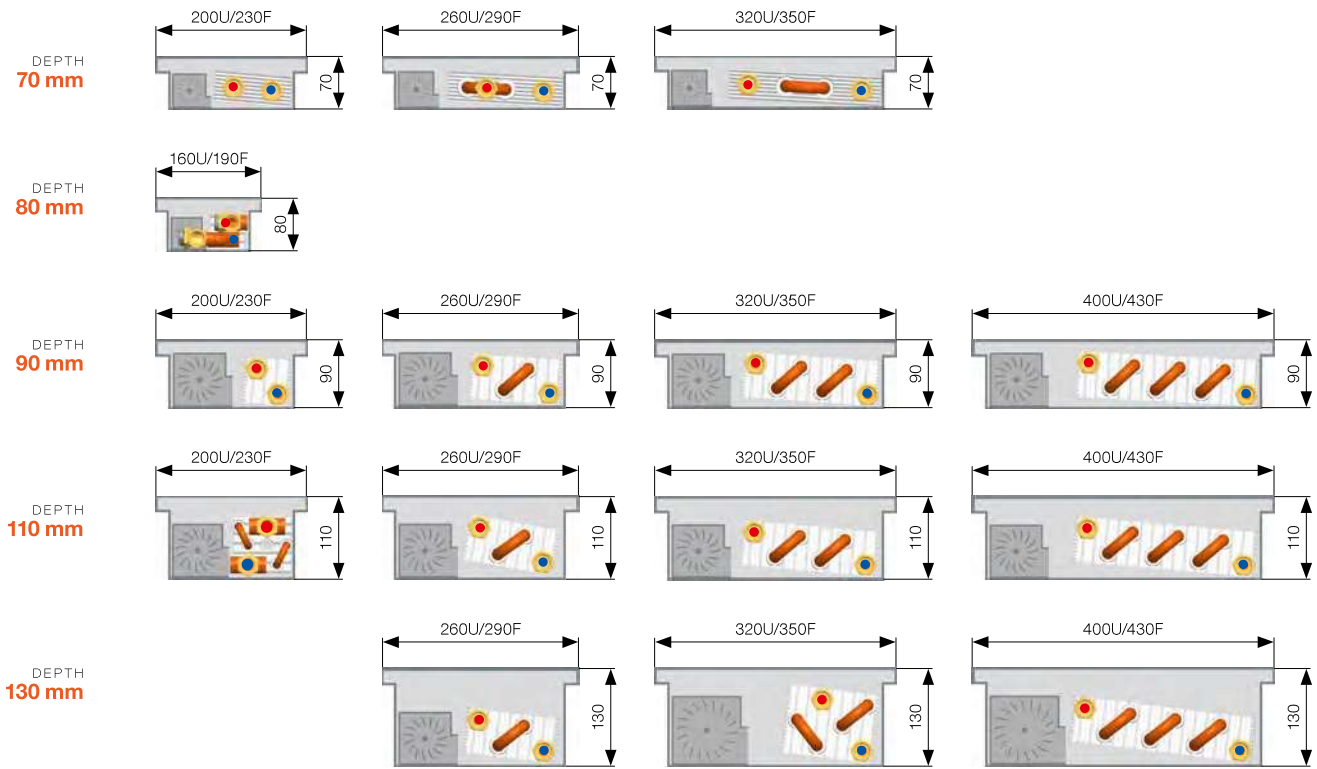
Further information about assembly and electrical installations, see p. 104.



Assembly and connection must be carried out by suitably qualified persons. An inspection and testing of electrical installations in accordance with appropriate local norm must be carried out.



# PRODUCT RANGE



U = U-frame  
F = F-frame

Width of trench heaters fitted with a Cross frame are identical to trench heaters fitted with an U-frame.

Measurements shown in mm.



KORAFLEX fitted with silver aluminium grille and U-frame, silver elox

Optimal-V FVO  
Energy FVE



## KORAFLEX OPTIMAL-V FVO 24V DC | DEPTH 70mm

PRODUCT CODE	VERSION	DEPTH	WIDTH	LENGTH (mm)											
				800	1000	1200	1400	1600	1800	2000	2200	2400	2600	2800	3000
LVFO-*/07/20-V5F1P0R-RT	24V DC	70mm	200mm	\$ 1,520.00	\$ 1,760.00	\$ 1,935.00	\$ 2,035.00	\$ 2,220.00	\$ 2,320.00	\$ 2,515.00	\$ 2,815.00	\$ 3,500.00	\$ 3,600.00	\$ 3,780.00	\$ 3,880.00
FAN SPEED SETTING No: 2	HEAT OUTPUT 75/65/20°C   WATTS			627	899	1171	1444	1716	1989	2261	2534	2806	3078	3351	3623
	HEAT OUTPUT 55/45/20°C   WATTS			365	524	683	841	1000	1159	1318	1476	1635	1794	1952	2111

PRODUCT CODE	VERSION	DEPTH	WIDTH	LENGTH (mm)											
				800	1000	1200	1400	1600	1800	2000	2200	2400	2600	2800	3000
LVFO-*/07/26-V5F1P0R-RT	24V DC	70mm	260mm	\$ 1,695.00	\$ 1,955.00	\$ 2,155.00	\$ 2,275.00	\$ 2,490.00	\$ 2,610.00	\$ 2,820.00	\$ 3,155.00	\$ 3,860.00	\$ 3,990.00	\$ 4,195.00	\$ 4,315.00
FAN SPEED SETTING No: 2	HEAT OUTPUT 75/65/20°C   WATTS			692	1017	1343	1668	1993	2319	2644	2970	3295	3621	3946	4272
	HEAT OUTPUT 55/45/20°C   WATTS			399	587	775	963	1151	1339	1527	1715	1903	2090	2278	2466

PRODUCT CODE	VERSION	DEPTH	WIDTH	LENGTH (mm)											
				800	1000	1200	1400	1600	1800	2000	2200	2400	2600	2800	3000
LVFO-*/07/32-V5F1P0R-RT	24V DC	70mm	320mm	\$ 1,760.00	\$ 1,970.00	\$ 2,180.00	\$ 2,330.00	\$ 2,575.00	\$ 2,725.00	\$ 2,965.00	\$ 3,330.00	\$ 4,060.00	\$ 4,220.00	\$ 4,450.00	\$ 4,605.00
FAN SPEED SETTING No: 2	HEAT OUTPUT 75/65/20°C   WATTS			977	1401	1826	2250	2675	3100	3524	3949	4373	4798	5223	5647
	HEAT OUTPUT 55/45/20°C   WATTS			574	824	1073	1323	1572	1822	2072	2321	2571	2820	3070	3320

## KORAFLEX OPTIMAL-V FVO 24V DC | DEPTH 80mm

PRODUCT CODE	VERSION	DEPTH	WIDTH	LENGTH (mm)											
				800	1000	1200	1400	1600	1800	2000	2200	2400	2600	2800	3000
LVFO-*/08/16-V5F1P0R-RT	24V DC	80mm	160mm	\$ 1,545.00	\$ 1,750.00	\$ 1,910.00	\$ 2,000.00	\$ 2,160.00	\$ 2,240.00	\$ 2,440.00	\$ 2,695.00	\$ 3,340.00	\$ 3,420.00	\$ 3,585.00	\$ 3,665.00
FAN SPEED SETTING No: 2	HEAT OUTPUT 75/65/20°C   WATTS			332	507	682	856	1031	1206	1381	1555	1730	1905	2080	2255
	HEAT OUTPUT 55/45/20°C   WATTS			183	280	377	473	570	666	763	860	956	1053	1149	1246

- \* ECONOMIC | Non Laquered Al/CU heat exchanger with bleed valve
- \* EXCLUSIVE | RAL 9005 BLACK Laquered Al/CU heat exchanger with bleed valve
- \* RAL 9005 Black Laquered galvanised steel case | \* Aluminium U-Frame Silver Elox | \* Metal Cover Plate
- \* Set of Low-Energy EC fans 24V DC | \* 24V DC Terminal block and Regulator (FCR Box)
- \* Levelling set screws and 4 anchors | \* Spacers for correct installation when setting in concrete | \* Hardboard cover to protect element
- \* GRILLES ARE NOT INCLUDED IN TRENCH HEATER PRICING AND MUST BE ORDERED SEPERATELY | \* REFER TO ORDERING CODES ON PAGE
- \* ALL PRICING IS EXCLUDING GST



## KORAFLEX ENERGY FVE 240V AC | DEPTH 70mm

PRODUCT CODE	VERSION	DEPTH	WIDTH	LENGTH (mm)											
				800	1000	1200	1400	1600	1800	2000	2200	2400	2600	2800	3000
LVFO-***07/20-V5F1P0R-RE	240V AC	70mm	200mm		\$ 1,760.00	\$ 1,935.00	\$ 2,035.00	\$ 2,220.00	\$ 2,320.00	\$ 2,515.00	\$ 2,815.00	\$ 3,500.00	\$ 3,600.00	\$ 3,780.00	\$ 3,880.00
FAN SPEED SETTING No: 2	HEAT OUTPUT 75/65/20°C   WATTS				627	899	1171	1444	1716	1989	2261	2534	2806	3078	3351
	HEAT OUTPUT 55/45/20°C   WATTS				365	524	683	841	1000	1159	1318	1476	1635	1794	1952

PRODUCT CODE	VERSION	DEPTH	WIDTH	LENGTH (mm)											
				800	1000	1200	1400	1600	1800	2000	2200	2400	2600	2800	3000
LVFO-***07/26-V5F1P0R-RE	240V AC	70mm	260mm		\$ 1,955.00	\$ 2,155.00	\$ 2,275.00	\$ 2,490.00	\$ 2,610.00	\$ 2,820.00	\$ 3,155.00	\$ 3,860.00	\$ 3,990.00	\$ 4,195.00	\$ 4,315.00
FAN SPEED SETTING No: 2	HEAT OUTPUT 75/65/20°C   WATTS				692	1017	1343	1668	1993	2319	2644	2970	3295	3621	3946
	HEAT OUTPUT 55/45/20°C   WATTS				399	587	775	963	1151	1339	1527	1715	1903	2090	2278

PRODUCT CODE	VERSION	DEPTH	WIDTH	LENGTH (mm)											
				800	1000	1200	1400	1600	1800	2000	2200	2400	2600	2800	3000
LVFO-***07/32-V5F1P0R-RE	240V AC	70mm	320mm		\$ 1,970.00	\$ 2,180.00	\$ 2,330.00	\$ 2,575.00	\$ 2,725.00	\$ 2,965.00	\$ 3,330.00	\$ 4,060.00	\$ 4,220.00	\$ 4,450.00	\$ 4,605.00
FAN SPEED SETTING No: 2	HEAT OUTPUT 75/65/20°C   WATTS				977	1401	1826	2250	2675	3100	3524	3949	4373	4798	5223
	HEAT OUTPUT 55/45/20°C   WATTS				574	824	1073	1323	1572	1822	2072	2321	2571	2820	3070

## KORAFLEX ENERGY FVE 240V AC | DEPTH 80mm

PRODUCT CODE	VERSION	DEPTH	WIDTH	LENGTH (mm)											
				800	1000	1200	1400	1600	1800	2000	2200	2400	2600	2800	3000
LVFO-***08/16-V5F1P0R-RE	240V AC	80mm	160mm		\$ 1,750.00	\$ 1,910.00	\$ 2,000.00	\$ 2,160.00	\$ 2,240.00	\$ 2,440.00	\$ 2,695.00	\$ 3,340.00	\$ 3,420.00	\$ 3,585.00	\$ 3,665.00
FAN SPEED SETTING No: 2	HEAT OUTPUT 75/65/20°C   WATTS				332	507	682	856	1031	1206	1381	1555	1730	1905	2080
	HEAT OUTPUT 55/45/20°C   WATTS				183	280	377	473	570	666	763	860	956	1053	1149

- \* ECONOMIC | Non Laquered Al/CU heat exchanger with bleed valve
- \* EXCLUSIVE | RAL 9005 BLACK Laquered Al/CU heat exchanger with bleed valve
- \* RAL 9005 Black Laquered galvanised steel case | \* Aluminium U-Frame Silver Elox | \* Metal Cover Plate
- \* Set of Low-Energy EC fans 240V AC | \* 240V AC Terminal block and Regulator (R Box)
- \* Levelling set screws and 4 anchors | \* Spacers for correct installation when setting in concrete | \* Hardboard cover to protect element
- \* GRILLES ARE NOT INCLUDED IN TRENCH HEATER PRICING AND MUST BE ORDERED SEPERATELY | \* REFER TO ORDERING CODES ON PAGE
- \* ALL PRICING IS EXCLUDING GST

# KORAFLEX

## Optimal-V FVO, Energy FVE

depth 70 mm/width 200 mm

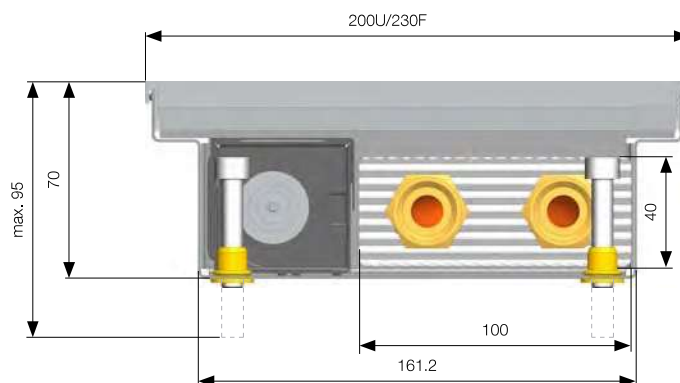
### Heat output [W] where $t_1/t_2/t_3$ / EN 16430

Measurements shown in mm including U-frame.

Length		Fan speed setting	Heat output [W]		El. consumption [W]		Acoustics	
Optimal-V	Energy		75/65/20 °C	55/45/20 °C	Optimal-V 24 V DC	Energy 230 V AC	Sound pressure [dB(A)]	Sound power [dB(A)]
800	1000	0	54	27	0	0	-	-
		1	438	253	1	10	17.4	25.4
		2	<b>627</b>	<b>365</b>	1	11	<b>23.7</b>	<b>31.7</b>
		3	777	458	2	12	32.5	40.5
1000	1200	0	78	39	0	0	-	-
		1	629	362	1	10	17.7	25.7
		2	<b>899</b>	<b>524</b>	2	11	<b>24.7</b>	<b>32.7</b>
		3	1 115	657	3	12	33.4	41.4
1200	1400	0	101	51	0	0	-	-
		1	819	472	1	10	18.5	26.5
		2	<b>1 171</b>	<b>683</b>	2	11	<b>25.9</b>	<b>33.9</b>
		3	1 453	856	3	12	34.3	42.3
1400	1600	0	125	63	0	0	-	-
		1	1 010	582	1	10	18.2	26.2
		2	<b>1 444</b>	<b>841</b>	2	11	<b>26.1</b>	<b>34.1</b>
		3	1 791	1 055	3	13	34.8	42.8
1600	1800	0	148	75	0	0	-	-
		1	1 200	692	1	10	18.4	26.4
		2	<b>1 716</b>	<b>1 000</b>	2	11	<b>26.7</b>	<b>34.7</b>
		3	2 129	1 254	4	14	35.4	43.4
1800	2000	0	172	87	0	0	-	-
		1	1 391	802	1	10	18.6	26.6
		2	<b>1 989</b>	<b>1 159</b>	2	12	<b>26.4</b>	<b>34.4</b>
		3	2 467	1 453	5	14	35.6	43.6
2000	2200	0	195	99	0	0	-	-
		1	1 582	912	1	11	18.8	26.8
		2	<b>2 261</b>	<b>1 318</b>	2	12	<b>27.7</b>	<b>35.7</b>
		3	2 805	1 652	5	15	36.3	44.3
2200	2400	0	219	111	0	0	-	-
		1	1 772	1 021	2	11	18.9	26.9
		2	<b>2 534</b>	<b>1 476</b>	3	13	<b>28.1</b>	<b>36.1</b>
		3	3 143	1 851	5	16	36.7	44.7
2400	2600	0	242	123	0	0	-	-
		1	1 963	1 131	2	11	19.0	27
		2	<b>2 806</b>	<b>1 635</b>	4	13	<b>28.5</b>	<b>36.5</b>
		3	3 481	2 050	6	16	37.0	45
2600	2800	0	266	134	0	0	-	-
		1	2 153	1 241	2	11	19.1	27.1
		2	<b>3 078</b>	<b>1 794</b>	4	13	<b>28.9</b>	<b>36.9</b>
		3	3 818	2 249	7	17	37.4	45.4
2800	3000	0	290	146	0	0	-	-
		1	2 344	1 351	3	11	18.5	26.5
		2	<b>3 351</b>	<b>1 952</b>	4	13	<b>29.6</b>	<b>37.6</b>
		3	4 156	2 448	8	17	37.8	45.8
3000		0	313	158	0	0	-	-
		1	2 534	1 461	3	11	19.4	27.4
		2	<b>3 623</b>	<b>2 111</b>	4	13	<b>29.5</b>	<b>37.5</b>
		3	4 494	2 647	8	17	38.0	46

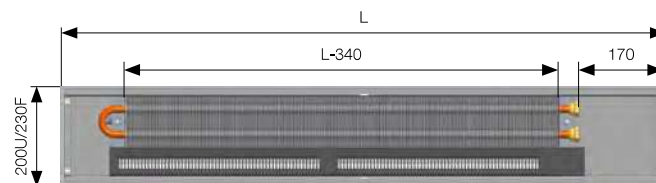
Temperature exponent [n]

1.0564

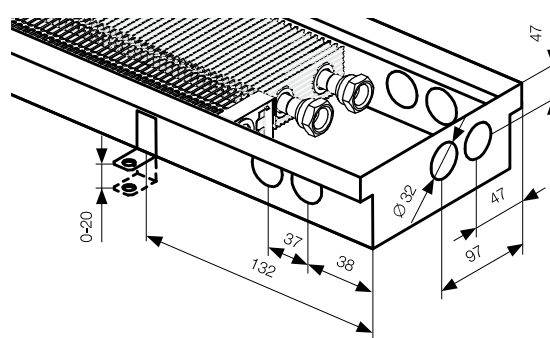
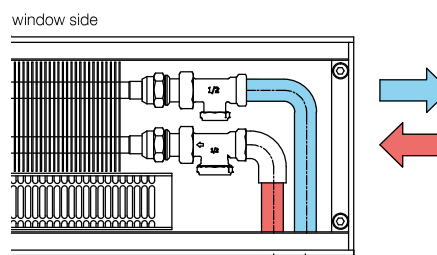


U = U-frame, F = F-frame

Where the F-frame is fitted, both the length and width increase by 30 mm. Measurements for U-frame and Cross frame are identical.



### Connections and connection measurements



Measurements shown in mm.

### More information

FV mounting p. 99, Raised floor installation p. 100, Convector connections p. 101, Linear grille supports p. 126, Regulation and accessories p. 103, Noise and acoustics p. 111, Basic tech. specifications p. 112, Pressure losses p. 113, Grilles p. 120–127



# KORAFLEX

## Optimal-V FVO, Energy FVE

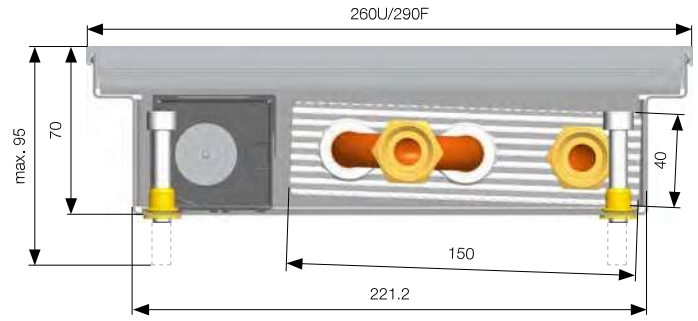
**depth 70 mm/width 260 mm**

### Heat output [W] where $t_1/t_2/t_3$ / EN 16430

Measurements shown in mm including U-frame.

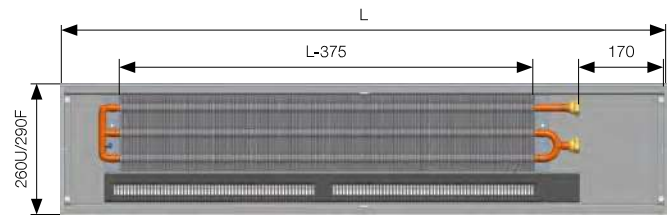
Length	Optimal-V Energy	Fan speed setting	Heat output [W]		El. consumption [W]		Acoustics	
			75/65/20 °C	55/45/20 °C	Optimal-V 24 V DC	Energy 230 V AC	Sound pressure [dB(A)]	Sound power [dB(A)]
800	1000	0	66	32	0	0	-	-
		1	480	277	1	9	17.4	25.4
		2	<b>692</b>	<b>399</b>	<b>1</b>	<b>10</b>	<b>23.7</b>	<b>31.7</b>
1000	1200	0	97	47	0	0	-	-
		1	706	407	1	9	17.7	25.7
		2	<b>1 017</b>	<b>587</b>	<b>2</b>	<b>10</b>	<b>24.7</b>	<b>32.7</b>
1200	1400	0	129	62	0	0	-	-
		1	932	537	1	9	18.5	26.5
		2	<b>1 343</b>	<b>775</b>	<b>2</b>	<b>11</b>	<b>25.9</b>	<b>33.9</b>
1400	1600	0	160	77	0	0	-	-
		1	1 159	668	1	10	18.2	26.2
		2	<b>1 668</b>	<b>963</b>	<b>2</b>	<b>11</b>	<b>26.1</b>	<b>34.1</b>
1600	1800	0	191	92	0	0	-	-
		1	1 385	798	1	10	18.4	26.4
		2	<b>1 993</b>	<b>1 151</b>	<b>2</b>	<b>11</b>	<b>26.7</b>	<b>34.7</b>
1800	2000	0	222	107	0	0	-	-
		1	1 611	928	1	10	18.6	26.6
		2	<b>2 319</b>	<b>1 339</b>	<b>2</b>	<b>11</b>	<b>26.4</b>	<b>34.4</b>
2000	2200	0	253	122	0	0	-	-
		1	1 837	1 058	1	10	18.8	26.8
		2	<b>2 644</b>	<b>1 527</b>	<b>3</b>	<b>12</b>	<b>27.7</b>	<b>35.7</b>
2200	2400	0	284	137	0	0	-	-
		1	2 063	1 188	2	10	18.9	26.9
		2	<b>2 970</b>	<b>1 715</b>	<b>3</b>	<b>13</b>	<b>28.1</b>	<b>36.1</b>
2400	2600	0	316	152	0	0	-	-
		1	2 289	1 319	2	11	19.0	27
		2	<b>3 295</b>	<b>1 903</b>	<b>4</b>	<b>13</b>	<b>28.5</b>	<b>36.5</b>
2600	2800	0	347	167	0	0	-	-
		1	2 515	1 449	2	11	19.1	27.1
		2	<b>3 621</b>	<b>2 090</b>	<b>4</b>	<b>13</b>	<b>28.9</b>	<b>36.9</b>
2800	3000	0	378	182	0	0	-	-
		1	2 741	1 579	2	11	18.5	26.5
		2	<b>3 946</b>	<b>2 278</b>	<b>4</b>	<b>13</b>	<b>29.6</b>	<b>37.6</b>
3000		0	409	197	0	0	-	-
		1	2 967	1 709	2	11	19.4	27.4
		2	<b>4 272</b>	<b>2 466</b>	<b>4</b>	<b>13</b>	<b>29.5</b>	<b>37.5</b>

Temperature exponent [n] **1.0674**

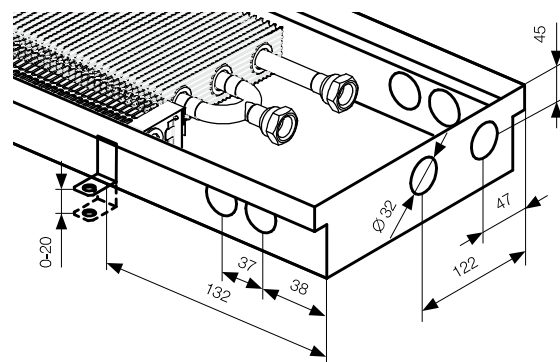
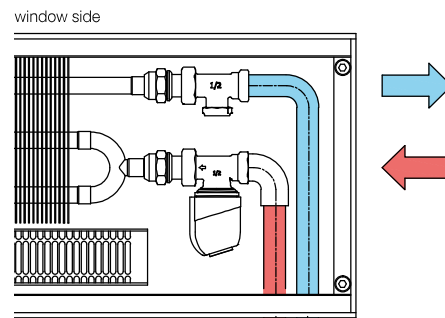


U = U-frame, F = F-frame

Where the F-frame is fitted, both the length and width increase by 30 mm. Measurements for U-frame and Cross frame are identical.



### Connections and connection measurements



Measurements shown in mm.

### More information

FV mounting p. 99, Raised floor installation p. 100, Convector connections p. 101, Linear grille supports p. 126, Regulation and accessories p. 103, Noise and acoustics p. 111, Basic tech. specifications p. 112, Pressure losses p. 113, Grilles p. 120–127

# KORAFLEX

## Optimal-V FVO, Energy FVE



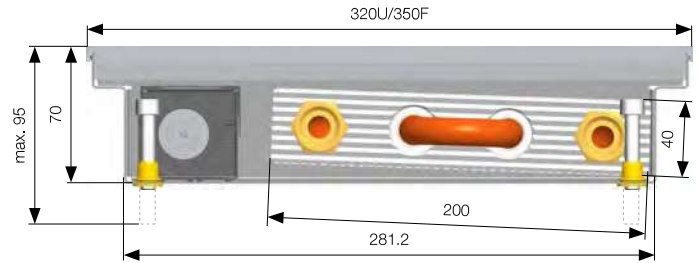
**depth 70 mm/width 320 mm**

### Heat output [W] where $t_1/t_2/t_3$ / EN 16430

Measurements shown in mm including U-frame.

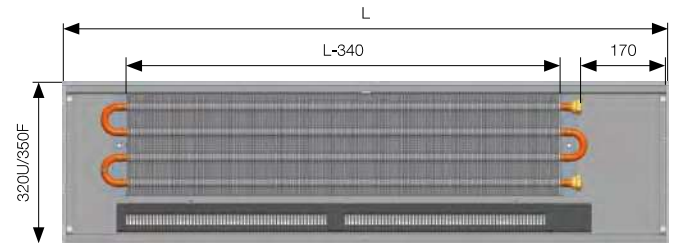
Length		Fan speed setting	Heat output [W]		El. consumption [W]		Acoustics	
Optimal-V	Energy		75/65/20 °C	55/45/20 °C	Optimal-V 24 V DC	Energy 230 V AC	Sound pressure [dB(A)]	Sound power [dB(A)]
800	1000	0	88	42	0	0	-	-
		1	636	370	1	9	19.1	27.1
		<b>2</b>	<b>977</b>	<b>574</b>	<b>1</b>	<b>11</b>	<b>26.6</b>	<b>34.6</b>
		3	1 269	755	2	12	28.9	36.9
1000	1200	0	126	60	0	0	-	-
		1	912	530	1	10	19.8	27.8
		<b>2</b>	<b>1 401</b>	<b>824</b>	<b>2</b>	<b>11</b>	<b>27.6</b>	<b>35.6</b>
		3	1 821	1 083	3	12	30.0	38
1200	1400	0	164	79	0	0	-	-
		1	1 189	691	1	10	20.1	28.1
		<b>2</b>	<b>1 826</b>	<b>1 073</b>	<b>2</b>	<b>11</b>	<b>28.3</b>	<b>36.3</b>
		3	2 373	1 411	3	13	31.0	39
1400	1600	0	203	97	0	0	-	-
		1	1 465	851	1	10	20.8	28.8
		<b>2</b>	<b>2 250</b>	<b>1 323</b>	<b>2</b>	<b>12</b>	<b>29.0</b>	<b>37</b>
		3	2 925	1 739	4	13	31.7	39.7
1600	1800	0	241	115	0	0	-	-
		1	1 742	1 012	1	10	21.2	29.2
		<b>2</b>	<b>2 675</b>	<b>1 572</b>	<b>2</b>	<b>12</b>	<b>29.5</b>	<b>37.5</b>
		3	3 476	2 067	4	14	32.4	40.4
1800	2000	0	279	134	0	0	-	-
		1	2 018	1 173	1	10	22.0	30
		<b>2</b>	<b>3 100</b>	<b>1 822</b>	<b>2</b>	<b>12</b>	<b>30.1</b>	<b>38.1</b>
		3	4 028	2 396	4	14	32.9	40.9
2000	2200	0	317	152	0	0	-	-
		1	2 295	1 333	1	11	21.9	29.9
		<b>2</b>	<b>3 524</b>	<b>2 072</b>	<b>3</b>	<b>13</b>	<b>30.5</b>	<b>38.5</b>
		3	4 580	2 724	6	15	33.5	41.5
2200	2400	0	355	170	0	0	-	-
		1	2 571	1 494	2	11	22.2	30.2
		<b>2</b>	<b>3 949</b>	<b>2 321</b>	<b>4</b>	<b>13</b>	<b>30.9</b>	<b>38.9</b>
		3	5 132	3 052	6	16	34.0	42
2400	2600	0	394	189	0	0	-	-
		1	2 848	1 655	2	11	22.4	30.4
		<b>2</b>	<b>4 373</b>	<b>2 571</b>	<b>4</b>	<b>14</b>	<b>31.3</b>	<b>39.3</b>
		3	5 684	3 380	7	16	34.5	42.5
2600	2800	0	432	207	0	0	-	-
		1	3 124	1 815	2	11	22.7	30.7
		<b>2</b>	<b>4 798</b>	<b>2 820</b>	<b>4</b>	<b>14</b>	<b>31.6</b>	<b>39.6</b>
		3	6 235	3 708	8	17	34.9	42.9
2800	3000	0	470	225	0	0	-	-
		1	3 401	1 976	2	11	22.7	30.7
		<b>2</b>	<b>5 223</b>	<b>3 070</b>	<b>5</b>	<b>14</b>	<b>31.9</b>	<b>39.9</b>
		3	6 787	4 036	9	17	35.3	43.3
3000		0	508	243	0	0	-	-
		1	3 677	2 137	2	11	23.1	31.1
		<b>2</b>	<b>5 647</b>	<b>3 320</b>	<b>5</b>	<b>14</b>	<b>32.2</b>	<b>40.2</b>
		3	7 339	4 365	9	17	35.6	43.6

Temperature exponent [n] **1.0417**

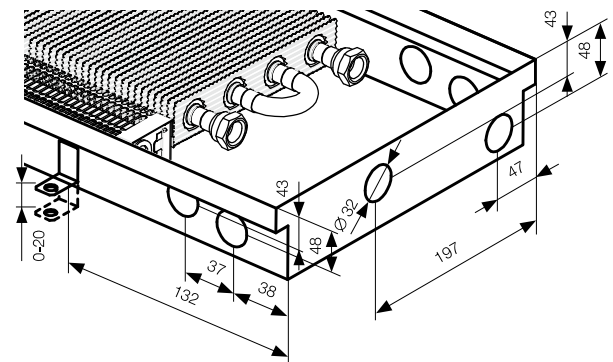
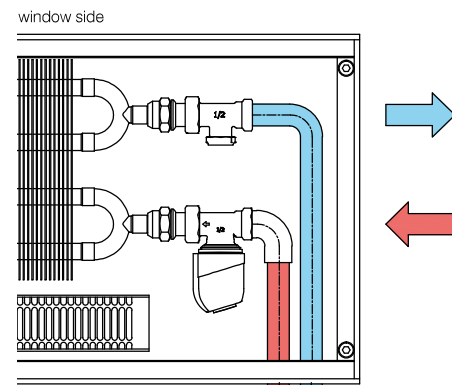


U = U-frame, F = F-frame

Where the F-frame is fitted, both the length and width increase by 30 mm. Measurements for U-frame and Cross frame are identical.



### Connections and connection measurements



Measurements shown in mm.

### More information

FV mounting p. 99, Raised floor installation p. 100, Convector connections p. 101, Linear grille supports p. 126, Regulation and accessories p. 103, Noise and acoustics p. 111, Basic tech. specifications p. 112, Pressure losses p. 113, Grilles p. 120–127



# KORAFLEX

## Optimal-V FVO, Energy FVE



depth 80 mm/width 160 mm

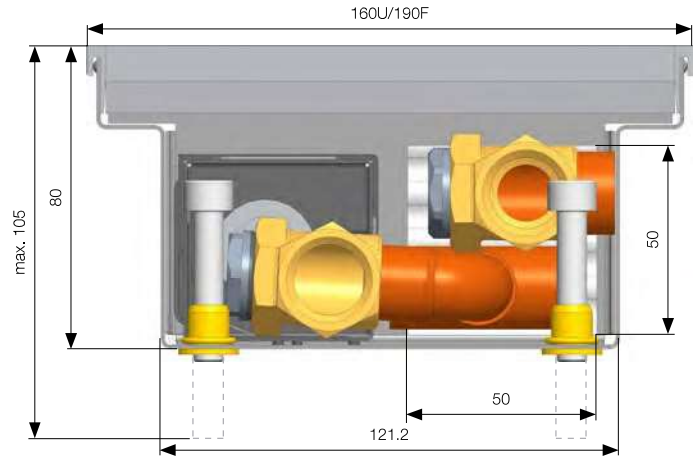
### Heat output [W] where $t_1/t_2/t_3$ / EN 16430

Measurements shown in mm including U-frame.

Length	Optimal-V Energy	Fan speed setting	Heat output [W]		El. consumption [W]		Acoustics	
			75/65/20 °C	55/45/20 °C	Optimal-V 24 V DC	Energy 230 V AC	Sound pressure [dB(A)]	Sound power [dB(A)]
800	1000	0	40	19	0	0	-	-
		1	219	116	1	9	17.4	25.4
		2	<b>332</b>	<b>183</b>	<b>1</b>	<b>10</b>	<b>23.7</b>	<b>31.7</b>
1000	1200	3	403	231	2	11	32.5	40.5
		0	61	29	0	0	-	-
		1	334	178	1	10	17.7	25.7
1200	1400	2	<b>507</b>	<b>280</b>	<b>2</b>	<b>10</b>	<b>24.7</b>	<b>32.7</b>
		3	614	352	2	11	33.4	41.4
		0	82	40	0	0	-	-
1400	1600	1	449	239	1	10	18.5	26.5
		2	<b>682</b>	<b>377</b>	<b>2</b>	<b>10</b>	<b>25.9</b>	<b>33.9</b>
		3	826	474	2	12	34.3	42.3
1600	1800	0	103	50	0	0	-	-
		1	564	300	1	10	18.2	26.2
		2	<b>856</b>	<b>473</b>	<b>2</b>	<b>10</b>	<b>26.1</b>	<b>34.1</b>
1800	2000	3	1 038	595	2	12	34.8	42.8
		0	124	60	0	0	-	-
		1	679	362	1	10	18.4	26.4
2000	2200	2	<b>1 031</b>	<b>570</b>	<b>2</b>	<b>11</b>	<b>26.7</b>	<b>34.7</b>
		3	1 250	717	3	12	35.4	43.4
		0	145	70	0	0	-	-
2200	2400	1	794	423	1	10	18.6	26.6
		2	<b>1 206</b>	<b>666</b>	<b>2</b>	<b>11</b>	<b>26.4</b>	<b>34.4</b>
		3	1 462	838	3	13	35.6	43.6
2400	2600	0	166	80	0	0	-	-
		1	909	484	1	10	18.8	26.8
		2	<b>1 381</b>	<b>763</b>	<b>2</b>	<b>12</b>	<b>27.7</b>	<b>35.7</b>
2600	2800	3	1 674	959	3	14	36.3	44.3
		0	187	91	0	0	-	-
		1	1 024	546	2	10	18.9	26.9
2800	3000	2	<b>1 555</b>	<b>860</b>	<b>3</b>	<b>12</b>	<b>28.1</b>	<b>36.1</b>
		3	1 885	1 081	4	14	36.7	44.7
		0	208	101	0	0	-	-
3000		1	1 139	607	2	10	19.0	27
		2	<b>1 730</b>	<b>956</b>	<b>3</b>	<b>12</b>	<b>28.5</b>	<b>36.5</b>
		3	2 097	1 202	5	14	37.0	45
		0	229	111	0	0	-	-
		1	1 254	668	2	10	19.1	27.1
		2	<b>1 905</b>	<b>1 053</b>	<b>3</b>	<b>12</b>	<b>28.9</b>	<b>36.9</b>
		3	2 309	1 324	5	14	37.4	45.4
		0	250	121	0	0	-	-
		1	1 369	729	2	10	18.5	26.5
		2	<b>2 080</b>	<b>1 149</b>	<b>4</b>	<b>12</b>	<b>29.6</b>	<b>37.6</b>
		3	2 521	1 445	6	14	37.8	45.8
		0	271	131	0	0	-	-
		1	1 485	791	2	10	19.4	27.4
		2	<b>2 255</b>	<b>1 246</b>	<b>4</b>	<b>12</b>	<b>29.5</b>	<b>37.5</b>
		3	2 733	1 567	6	14	38.0	46

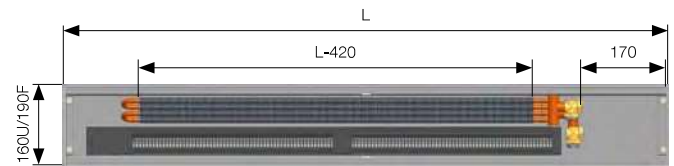
Temperature exponent [n]

1.1904

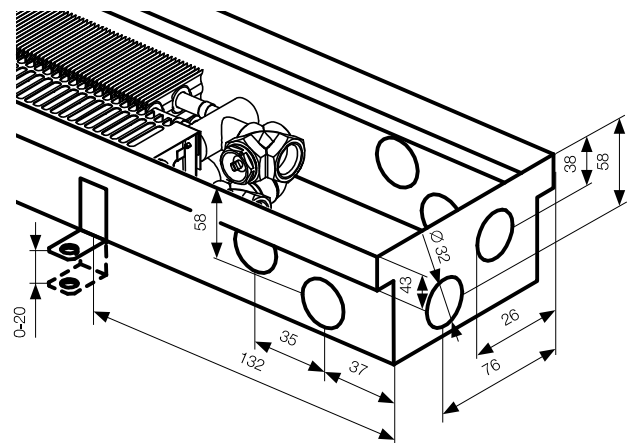
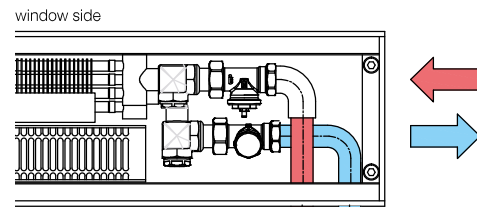


U = U-frame, F = F-frame

Where the F-frame is fitted, both the length and width increase by 30 mm. Measurements for U-frame and Cross frame are identical.



### Connections and connection measurements



Measurements shown in mm.

### More information

FV mounting p. 99, Raised floor installation p. 100, Convector connections p. 101, Linear grille supports p. 126, Regulation and accessories p. 103, Noise and acoustics p. 111, Basic tech. specifications p. 112, Pressure losses p. 113, Grilles p. 120–127



## KORAFLEX OPTIMAL-V FVO 24V DC | DEPTH 90mm

PRODUCT CODE	VERSION	DEPTH	WIDTH	LENGTH (mm)											
				800	1000	1200	1400	1600	1800	2000	2200	2400	2600	2800	3000
LVFO-*/09/20-V5F1P0R-RT	24V DC	90mm	200mm	\$ 1,570.00	\$ 1,845.00	\$ 2,030.00	\$ 2,165.00	\$ 2,385.00	\$ 2,485.00	\$ 2,585.00	\$ 3,540.00	\$ 3,770.00	\$ 3,875.00	\$ 4,000.00	\$ 4,210.00
FAN SPEED SETTING No: 2	HEAT OUTPUT 75/65/20°C   WATTS			673	947	1222	1497	1771	2046	2320	2595	2870	3144	3419	3694
	HEAT OUTPUT 55/45/20°C   WATTS			404	569	734	899	1064	1229	1394	1559	1724	1889	2055	2220

PRODUCT CODE	VERSION	DEPTH	WIDTH	LENGTH (mm)											
				800	1000	1200	1400	1600	1800	2000	2200	2400	2600	2800	3000
LVFO-*/09/26-V5F1P0R-RT	24V DC	90mm	260mm	\$ 1,765.00	\$ 1,985.00	\$ 2,220.00	\$ 2,405.00	\$ 2,670.00	\$ 2,825.00	\$ 2,975.00	\$ 3,940.00	\$ 4,215.00	\$ 4,375.00	\$ 4,550.00	\$ 4,805.00
FAN SPEED SETTING No: 2	HEAT OUTPUT 75/65/20°C   WATTS			904	1273	1642	2010	2379	2748	3117	3486	3855	4224	4593	4961
	HEAT OUTPUT 55/45/20°C   WATTS			555	781	1008	1234	1461	1687	1914	2140	2367	2593	2820	3046

PRODUCT CODE	VERSION	DEPTH	WIDTH	LENGTH (mm)											
				800	1000	1200	1400	1600	1800	2000	2200	2400	2600	2800	3000
LVFO-*/09/32-V5F1P0R-RT	24V DC	90mm	320mm	\$ 1,925.00	\$ 2,205.00	\$ 2,495.00	\$ 2,735.00	\$ 3,055.00	\$ 3,265.00	\$ 3,470.00	\$ 4,490.00	\$ 4,820.00	\$ 5,035.00	\$ 5,265.00	\$ 5,570.00
FAN SPEED SETTING No: 2	HEAT OUTPUT 75/65/20°C   WATTS			1038	1462	1886	2310	2734	3158	3581	4005	4429	4853	5277	5701
	HEAT OUTPUT 55/45/20°C   WATTS			630	887	1144	1400	1657	1914	2171	2428	2685	2942	3199	3456

PRODUCT CODE	VERSION	DEPTH	WIDTH	LENGTH (mm)											
				800	1000	1200	1400	1600	1800	2000	2200	2400	2600	2800	3000
LVFO-*/09/40-V5F1P0R-RT	24V DC	90mm	400mm	\$ 2,050.00	\$ 2,345.00	\$ 2,680.00	\$ 2,960.00	\$ 3,320.00	\$ 3,575.00	\$ 3,825.00	\$ 4,860.00	\$ 5,230.00	\$ 5,490.00	\$ 5,765.00	\$ 6,110.00
FAN SPEED SETTING No: 2	HEAT OUTPUT 75/65/20°C   WATTS			1581	2226	2872	3517	4163	4808	5453	6099	6744	7389	8035	8680
	HEAT OUTPUT 55/45/20°C   WATTS			952	1341	1730	2118	2507	2896	3284	3673	4062	4450	4839	5228

\* ECONOMIC | Non Laquered Al/CU heat exchanger with bleed valve

\* EXCLUSIVE | RAL 9005 BLACK Laquered Al/CU heat exchanger with bleed valve

\* RAL 9005 Black Laquered galvanised steel case | \* Aluminium U-Frame Silver Elox | \* Metal Cover Plate

\* Set of Low-Energy EC fans 24V DC | \* 24V DC Terminal block and Regulator (FCR Box)

\* Levelling set screws and 4 anchors | \* Spacers for correct installation when setting in concrete | \* Hardboard cover to protect element

\* GRILLES ARE NOT INCLUDED IN TRENCH HEATER PRICING AND MUST BE ORDERED SEPERATELY | \* REFER TO ORDERING CODES ON PAGE

\* ALL PRICING IS EXCLUDING GST



## KORAFLEX ENERGY FVE 240V AC | DEPTH 90mm

PRODUCT CODE	VERSION	DEPTH	WIDTH	LENGTH (mm)											
				800	1000	1200	1400	1600	1800	2000	2200	2400	2600	2800	3000
LVFO-***09/20-V5F1P0R-RE	240V AC	90mm	200mm		\$ 1,845.00	\$ 2,030.00	\$ 2,165.00	\$ 2,385.00	\$ 2,485.00	\$ 2,585.00	\$ 3,540.00	\$ 3,770.00	\$ 3,875.00	\$ 4,000.00	\$ 4,210.00
FAN SPEED SETTING No: 2	HEAT OUTPUT 75/65/20°C   WATTS				673	947	1222	1497	1771	2046	2320	2595	2870	3144	3419
	HEAT OUTPUT 55/45/20°C   WATTS				404	569	734	899	1064	1229	1394	1559	1724	1889	2055

PRODUCT CODE	VERSION	DEPTH	WIDTH	LENGTH (mm)											
				800	1000	1200	1400	1600	1800	2000	2200	2400	2600	2800	3000
LVFO-***09/26-V5F1P0R-RE	240V AC	90mm	260mm		\$ 1,985.00	\$ 2,220.00	\$ 2,405.00	\$ 2,670.00	\$ 2,825.00	\$ 2,975.00	\$ 3,940.00	\$ 4,215.00	\$ 4,375.00	\$ 4,550.00	\$ 4,805.00
FAN SPEED SETTING No: 2	HEAT OUTPUT 75/65/20°C   WATTS				904	1273	1642	2010	2379	2748	3117	3486	3855	4224	4593
	HEAT OUTPUT 55/45/20°C   WATTS				555	781	1008	1234	1461	1687	1914	2140	2367	2593	2820

PRODUCT CODE	VERSION	DEPTH	WIDTH	LENGTH (mm)											
				800	1000	1200	1400	1600	1800	2000	2200	2400	2600	2800	3000
LVFO-***09/32-V5F1P0R-RE	240V AC	90mm	320mm		\$ 2,205.00	\$ 2,495.00	\$ 2,735.00	\$ 30,555.00	\$ 3,265.00	\$ 3,470.00	\$ 4,490.00	\$ 4,820.00	\$ 5,035.00	\$ 5,265.00	\$ 5,570.00
FAN SPEED SETTING No: 2	HEAT OUTPUT 75/65/20°C   WATTS				1038	1462	1886	2310	2734	3158	3581	4005	4429	4853	5277
	HEAT OUTPUT 55/45/20°C   WATTS				630	887	1144	1400	1657	1914	2171	2428	2685	2942	3199

PRODUCT CODE	VERSION	DEPTH	WIDTH	LENGTH (mm)											
				800	1000	1200	1400	1600	1800	2000	2200	2400	2600	2800	3000
LVFO-***09/40-V5F1P0R-RE	240V AC	90mm	400mm		\$ 2,345.00	\$ 2,680.00	\$ 2,960.00	\$ 3,320.00	\$ 3,575.00	\$ 3,825.00	\$ 4,860.00	\$ 5,230.00	\$ 5,490.00	\$ 5,765.00	\$ 6,110.00
FAN SPEED SETTING No: 2	HEAT OUTPUT 75/65/20°C   WATTS				1581	2226	2872	3517	4163	4808	5453	6099	6744	7389	8035
	HEAT OUTPUT 55/45/20°C   WATTS				952	1341	1730	2118	2507	2896	3284	3673	4062	4450	4839

- \* ECONOMIC | Non Laquered Al/CU heat exchanger with bleed valve
- \* EXCLUSIVE | RAL 9005 BLACK Laquered Al/CU heat exchanger with bleed valve

- \* RAL 9005 Black Laquered galvanised steel case | \* Aluminium U-Frame Silver Elox | \* Metal Cover Plate
- \* Set of Low-Energy EC fans 240V AC | \* 240V AC Terminal block and Regulator (R Box)
- \* Levelling set screws and 4 anchors | \* Spacers for correct installation when setting in concrete | \* Hardboard cover to protect element

\* GRILLES ARE NOT INCLUDED IN TRENCH HEATER PRICING AND MUST BE ORDERED SEPERATELY | \* REFER TO ORDERING CODES ON PAGE

\* ALL PRICING IS EXCLUDING GST

# KORAFLEX

## Optimal-V FVO, Energy FVE



depth 90 mm/width 200 mm

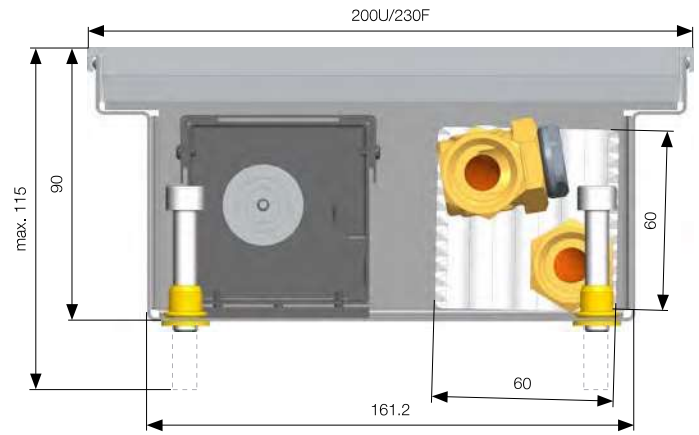
### Heat output [W] where $t_1/t_2/t_3$ / EN 16430

Measurements shown in mm including U-frame.

Length	Optimal-V	Energy	Fan speed setting	Heat output [W]		El. consumption [W]		Acoustics	
				75/65/20 °C	55/45/20 °C	Optimal-V 24 V DC	Energy 230 V AC	Sound pressure [dB(A)]	Sound power [dB(A)]
800	1000		0	54	26	0	0	-	-
			1	455	272	1	10	19.1	27.1
			<b>2</b>	<b>673</b>	<b>404</b>	<b>2</b>	<b>12</b>	<b>26.6</b>	<b>34.6</b>
1000	1200		0	76	36	0	0	-	-
			1	641	383	2	11	19.8	27.8
			<b>2</b>	<b>947</b>	<b>569</b>	<b>2</b>	<b>13</b>	<b>27.6</b>	<b>35.6</b>
1200	1400		0	99	47	0	0	-	-
			1	827	494	2	11	20.1	28.1
			<b>2</b>	<b>1 222</b>	<b>734</b>	<b>3</b>	<b>13</b>	<b>28.3</b>	<b>36.3</b>
1400	1600		0	121	58	0	0	-	-
			1	1 012	605	2	11	20.8	28.8
			<b>2</b>	<b>1 497</b>	<b>899</b>	<b>3</b>	<b>13</b>	<b>29.0</b>	<b>37</b>
1600	1800		0	143	68	0	0	-	-
			1	1 198	716	2	12	21.2	29.2
			<b>2</b>	<b>1 771</b>	<b>1 064</b>	<b>4</b>	<b>13</b>	<b>29.5</b>	<b>37.5</b>
1800	2000		0	125	79	0	0	-	-
			1	1 384	827	2	12	22.0	30
			<b>2</b>	<b>2 046</b>	<b>1 229</b>	<b>5</b>	<b>15</b>	<b>30.1</b>	<b>38.1</b>
2000	2200		0	187	89	0	0	-	-
			1	1 570	938	3	13	21.9	29.9
			<b>2</b>	<b>2 320</b>	<b>1 394</b>	<b>5</b>	<b>16</b>	<b>30.5</b>	<b>38.5</b>
2200	2400		0	209	100	0	0	-	-
			1	1 755	1 049	3	13	22.2	30.2
			<b>2</b>	<b>2 595</b>	<b>1 559</b>	<b>5</b>	<b>16</b>	<b>30.9</b>	<b>38.9</b>
2400	2600		0	231	111	0	0	-	-
			1	1 941	1 160	3	13	22.4	30.4
			<b>2</b>	<b>2 870</b>	<b>1 724</b>	<b>7</b>	<b>16</b>	<b>31.3</b>	<b>39.3</b>
2600	2800		0	254	121	0	0	-	-
			1	2 127	1 271	4	13	22.7	30.7
			<b>2</b>	<b>3 144</b>	<b>1 889</b>	<b>8</b>	<b>17</b>	<b>31.6</b>	<b>39.6</b>
2800	3000		0	276	132	0	0	-	-
			1	2 313	1 382	4	14	22.7	30.7
			<b>2</b>	<b>3 419</b>	<b>2 055</b>	<b>8</b>	<b>18</b>	<b>31.9</b>	<b>39.9</b>
3000			0	298	142	0	0	-	-
			1	2 498	1 493	4	14	23.1	31.1
			<b>2</b>	<b>3 694</b>	<b>2 220</b>	<b>10</b>	<b>21</b>	<b>32.2</b>	<b>40.2</b>
			3	4 223	2 544	14	14	35.6	43.6

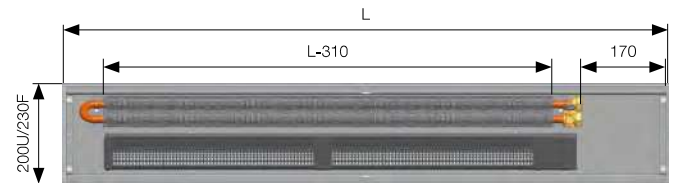
Temperature exponent [n]

1.0041

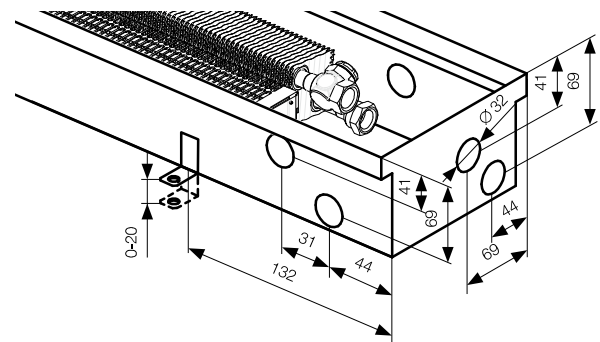
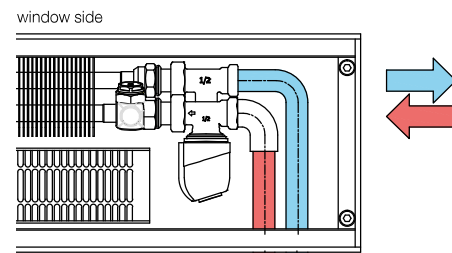


U = U-frame, F = F-frame

Where the F-frame is fitted, both the length and width increase by 30 mm. Measurements for U-frame and Cross frame are identical.



### Connections and connection measurements



Measurements shown in mm.

### More information

FV mounting p. 99, Raised floor installation p. 100, Convector connections p. 101, Linear grille supports p. 126, Regulation and accessories p. 103, Noise and acoustics p. 111, Basic tech. specifications p. 112, Pressure losses p. 113, Grilles p. 120–127

# KORAFLEX

## Optimal-V FVO, Energy FVE



depth 90 mm/width 260 mm

### Heat output [W] where $t_1/t_2/t_3$ / EN 16430

Measurements shown in mm including U-frame.

Length	Optimal-V	Energy	Fan speed setting	Heat output [W]		El. consumption [W]		Acoustics	
				75/65/20 °C	55/45/20 °C	Optimal-V 24 V DC	Energy 230 V AC	Sound pressure [dB(A)]	Sound power [dB(A)]
800	1000		0	74	37	0	0	-	-
			1	620	381	1	10	19.1	27.1
			2	<b>904</b>	<b>555</b>	<b>2</b>	<b>12</b>	<b>26.6</b>	<b>34.6</b>
1000	1200		3	1 032	634	2	12	28.9	36.9
			0	104	52	0	0	-	-
			1	873	536	2	11	19.8	27.8
1200	1400		2	<b>1 273</b>	<b>781</b>	<b>2</b>	<b>13</b>	<b>27.6</b>	<b>35.6</b>
			3	1 453	892	3	13	30.0	38
			0	135	67	0	0	-	-
1400	1600		1	1 125	691	2	11	20.1	28.1
			2	<b>1 642</b>	<b>1 008</b>	<b>3</b>	<b>13</b>	<b>28.3</b>	<b>36.3</b>
			3	1 874	1 151	4	14	31.0	39
1600	1800		0	165	82	0	0	-	-
			1	1 378	847	2	11	20.8	28.8
			2	<b>2 010</b>	<b>1 234</b>	<b>3</b>	<b>13</b>	<b>29.0</b>	<b>37</b>
1800	2000		3	2 296	1 409	4	14	31.7	39.7
			0	195	97	0	0	-	-
			1	1 631	1 002	2	12	21.2	29.2
2000	2200		2	<b>2 379</b>	<b>1 461</b>	<b>4</b>	<b>13</b>	<b>29.5</b>	<b>37.5</b>
			3	2 717	1 668	5	15	32.4	40.4
			0	225	113	0	0	-	-
2200	2400		1	1 884	1 157	2	12	22.0	30
			2	<b>2 748</b>	<b>1 687</b>	<b>5</b>	<b>15</b>	<b>30.1</b>	<b>38.1</b>
			3	3 138	1 927	7	16	32.9	40.9
2400	2600		0	256	128	0	0	-	-
			1	2 137	1 312	3	13	21.9	29.9
			2	<b>3 117</b>	<b>1 914</b>	<b>5</b>	<b>16</b>	<b>30.5</b>	<b>38.5</b>
2600	2800		3	3 559	2 185	7	17	33.5	41.5
			0	286	143	0	0	-	-
			1	2 390	1 468	3	13	22.2	30.2
2800	3000		2	<b>3 486</b>	<b>2 140</b>	<b>5</b>	<b>16</b>	<b>30.9</b>	<b>38.9</b>
			3	3 980	2 444	7	17	34.0	42
			0	316	158	0	0	-	-
3000			1	2 643	1 623	3	13	22.4	30.4
			2	<b>3 855</b>	<b>2 367</b>	<b>7</b>	<b>16</b>	<b>31.3</b>	<b>39.3</b>
			3	4 402	2 702	9	18	34.5	42.5
3000			0	347	173	0	0	-	-
			1	2 896	1 778	4	13	22.7	30.7
			2	<b>4 224</b>	<b>2 593</b>	<b>8</b>	<b>17</b>	<b>31.6</b>	<b>39.6</b>
3000			3	4 823	2 961	11	19	34.9	42.9
			0	377	188	0	0	-	-
			1	3 149	1 934	4	14	22.7	30.7
3000			2	<b>4 593</b>	<b>2 820</b>	<b>8</b>	<b>18</b>	<b>31.9</b>	<b>39.9</b>
			3	5 244	3 220	11	21	35.3	43.3
			0	407	203	0	0	-	-
3000			1	3 402	2 089	5	15	23.1	31.1
			2	<b>4 961</b>	<b>3 046</b>	<b>10</b>	<b>20</b>	<b>32.2</b>	<b>40.2</b>
			3	5 665	3 478	14	24	35.6	43.6

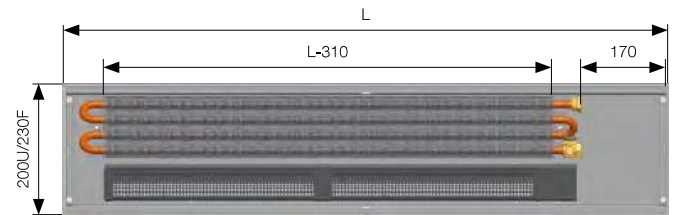
Temperature exponent [n]

0.9874

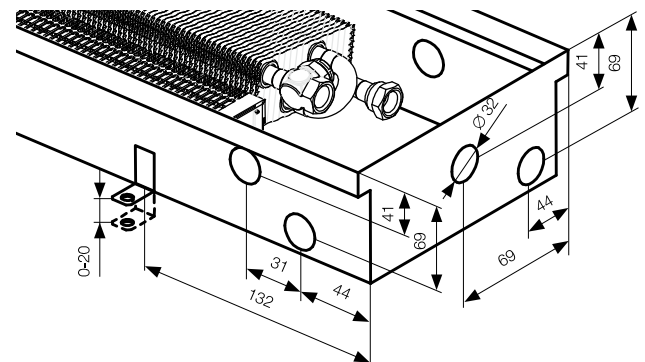
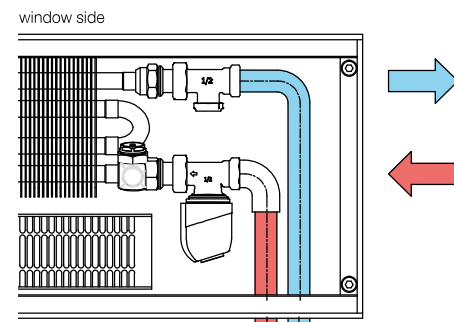


U = U-frame, F = F-frame

Where the F-frame is fitted, both the length and width increase by 30 mm. Measurements for U-frame and Cross frame are identical.



### Connections and connection measurements



Measurements shown in mm.

### More information

FV mounting p. 99, Raised floor installation p. 100, Convector connections p. 101, Linear grille supports p. 126, Regulation and accessories p. 103, Noise and acoustics p. 111, Basic tech. specifications p. 112, Pressure losses p. 113, Grilles p. 120–127



# KORAFLEX

## Optimal-V FVO, Energy FVE



depth 90 mm/width 320 mm

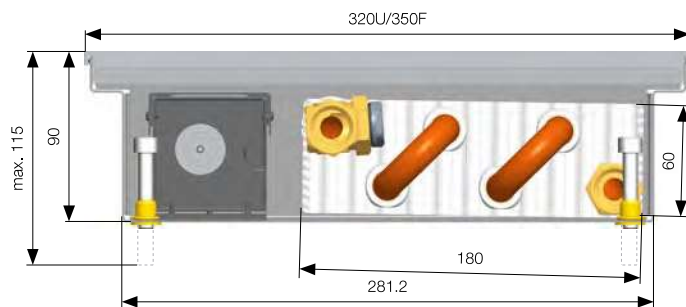
### Heat output [W] where $t_1/t_2/t_3$ / EN 16430

Measurements shown in mm including U-frame.

Length		Fan speed setting	Heat output [W]		El. consumption [W]		Acoustics	
Optimal-V	Energy		75/65/20 °C	55/45/20 °C	Optimal-V 24 V DC	Energy 230 V AC	Sound pressure [dB(A)]	Sound power [dB(A)]
800	1000	0	104	54	0	0	-	-
		1	681	411	1	10	23.2	31.2
		<b>2</b>	<b>1 038</b>	<b>630</b>	<b>2</b>	<b>12</b>	<b>29.3</b>	<b>37.3</b>
		3	1 201	730	2	13	32.0	40
1000	1200	0	146	76	0	0	-	-
		1	959	579	2	11	23.6	31.6
		<b>2</b>	<b>1 462</b>	<b>887</b>	<b>3</b>	<b>13</b>	<b>30.0</b>	<b>38</b>
		3	1 691	1 027	3	13	32.6	40.6
1200	1400	0	189	98	0	0	-	-
		1	1 237	747	2	11	24.8	32.8
		<b>2</b>	<b>1 886</b>	<b>1 144</b>	<b>3</b>	<b>13</b>	<b>30.8</b>	<b>38.8</b>
		3	2 181	1 325	4	13	33.1	41.1
1400	1600	0	231	120	0	0	-	-
		1	1 515	914	2	11	24.3	32.3
		<b>2</b>	<b>2 310</b>	<b>1 400</b>	<b>3</b>	<b>13</b>	<b>31.1</b>	<b>39.1</b>
		3	2 671	1 623	4	14	33.6	41.6
1600	1800	0	273	142	0	0	-	-
		1	1 793	1 082	2	12	24.5	32.5
		<b>2</b>	<b>2 734</b>	<b>1 657</b>	<b>4</b>	<b>14</b>	<b>31.5</b>	<b>39.5</b>
		3	3 161	1 921	5	15	34.0	42
1800	2000	0	316	164	0	0	-	-
		1	2 071	1 250	2	12	24.6	32.6
		<b>2</b>	<b>3 158</b>	<b>1 914</b>	<b>5</b>	<b>15</b>	<b>31.4</b>	<b>39.4</b>
		3	3 652	2 218	7	16	34.5	42.5
2000	2200	0	358	186	0	0	-	-
		1	2 349	1 418	3	12	24.9	32.9
		<b>2</b>	<b>3 581</b>	<b>2 171</b>	<b>5</b>	<b>15</b>	<b>32.2</b>	<b>40.2</b>
		3	4 142	2 516	7	16	34.7	42.7
2200	2400	0	401	208	0	0	-	-
		1	2 627	1 586	3	13	25.1	33.1
		<b>2</b>	<b>4 005</b>	<b>2 428</b>	<b>5</b>	<b>16</b>	<b>32.4</b>	<b>40.4</b>
		3	4 632	2 814	8	17	35.0	43
2400	2600	0	443	230	0	0	-	-
		1	2 905	1 753	3	13	25.3	33.3
		<b>2</b>	<b>4 429</b>	<b>2 685</b>	<b>7</b>	<b>17</b>	<b>32.7</b>	<b>40.7</b>
		3	5 122	3 112	9	19	35.2	43.2
2600	2800	0	485	252	0	0	-	-
		1	3 183	1 921	3	13	25.4	33.4
		<b>2</b>	<b>4 853</b>	<b>2 942</b>	<b>8</b>	<b>17</b>	<b>33.0</b>	<b>41</b>
		3	5 612	3 409	11	19	35.4	43.4
2800	3000	0	528	274	0	0	-	-
		1	3 461	2 089	4	14	24.6	32.6
		<b>2</b>	<b>5 277</b>	<b>3 199</b>	<b>8</b>	<b>19</b>	<b>33.4</b>	<b>41.4</b>
		3	6 102	3 707	11	23	35.6	43.6
3000		0	570	296	0	0	-	-
		1	3 739	2 257	5	15	25.7	33.7
		<b>2</b>	<b>5 701</b>	<b>3 456</b>	<b>11</b>	<b>23</b>	<b>33.4</b>	<b>41.4</b>
		3	6 593	4 005	15	27	35.9	43.9

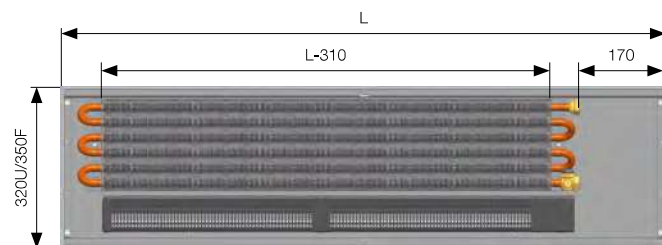
Temperature exponent [n]

0.9547

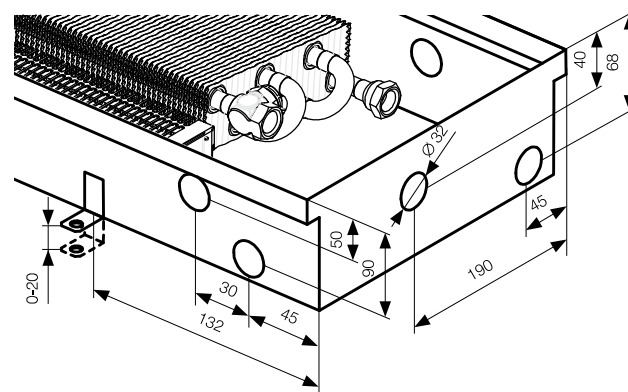
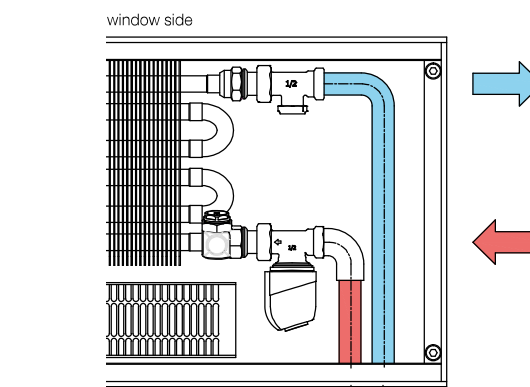


U = U-frame, F = F-frame

Where the F-frame is fitted, both the length and width increase by 30 mm. Measurements for U-frame and Cross frame are identical.



### Connections and connection measurements



Measurements shown in mm.

### More information

FV mounting p. 99, Raised floor installation p. 100, Convector connections p. 101, Linear grille supports p. 126, Regulation and accessories p. 103, Noise and acoustics p. 111, Basic tech. specifications p. 112, Pressure losses p. 113, Grilles p. 120–127

# KORAFLEX

## Optimal-V FVO, Energy FVE



depth 90 mm/width 400 mm

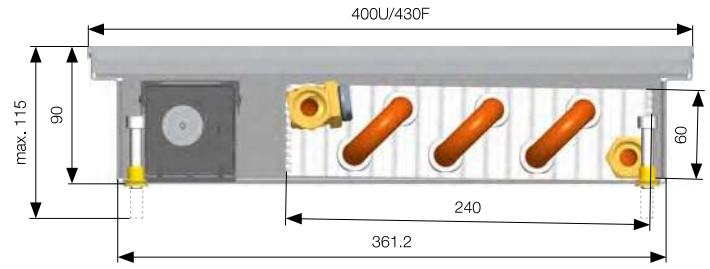
### Heat output [W] where $t_1/t_2/t_3$ / EN 16430

Measurements shown in mm including U-frame.

Length	Optimal-V	Energy	Fan speed setting	Heat output [W]		El. consumption [W]		Acoustics	
				75/65/20 °C	55/45/20 °C	Optimal-V 24 V DC	Energy 230 V AC	Sound pressure [dB(A)]	Sound power [dB(A)]
800	1000		0	130	63	0	0	-	-
			1	1 174	691	1	11	21.7	29.7
			2	<b>1 581</b>	<b>952</b>	2	12	<b>27.5</b>	<b>35.5</b>
			3	1 732	1 053	2	13	30.2	38.2
1000	1200		0	184	88	0	0	-	-
			1	1 654	974	2	11	22.0	30
			2	<b>2 226</b>	<b>1 341</b>	3	13	<b>28.2</b>	<b>36.2</b>
			3	2 438	1 483	3	14	30.8	38.8
1200	1400		0	237	114	0	0	-	-
			1	2 133	1 256	2	11	22.3	30.3
			2	<b>2 872</b>	<b>1 730</b>	3	14	<b>28.8</b>	<b>36.8</b>
			3	3 145	1 913	4	14	31.2	39.2
1400	1600		0	290	139	0	0	-	-
			1	2 612	1 538	2	12	22.5	30.5
			2	<b>3 517</b>	<b>2 118</b>	3	14	<b>29.3</b>	<b>37.3</b>
			3	3 852	2 343	4	15	31.8	39.8
1600	1800		0	343	165	0	0	-	-
			1	3 092	1 820	2	12	22.7	30.7
			2	<b>4 163</b>	<b>2 507</b>	3	14	<b>29.7</b>	<b>37.7</b>
			3	4 558	2 773	4	16	32.2	40.2
1800	2000		0	397	191	0	0	-	-
			1	3 571	2 102	2	13	22.9	30.9
			2	<b>4 808</b>	<b>2 896</b>	5	16	<b>30.0</b>	<b>38</b>
			3	5 265	3 202	7	18	32.9	40.9
2000	2200		0	450	216	0	0	-	-
			1	4 050	2 384	3	13	23.0	31
			2	<b>5 453</b>	<b>3 284</b>	5	16	<b>30.4</b>	<b>38.4</b>
			3	5 972	3 632	7	18	32.9	40.9
2200	2400		0	503	242	0	0	-	-
			1	4 530	2 667	3	13	23.1	31.1
			2	<b>6 099</b>	<b>3 673</b>	5	16	<b>30.7</b>	<b>38.7</b>
			3	6 679	4 062	7	18	33.2	41.2
2400	2600		0	556	267	0	0	-	-
			1	5 009	2 949	4	14	23.3	31.3
			2	<b>6 744</b>	<b>4 062</b>	6	17	<b>30.9</b>	<b>38.9</b>
			3	7 385	4 492	8	20	33.4	41.4
2600	2800		0	610	293	0	0	-	-
			1	5 488	3 231	4	14	23.4	31.4
			2	<b>7 389</b>	<b>4 450</b>	8	18	<b>31.2</b>	<b>39.2</b>
			3	8 092	4 922	11	21	33.6	41.6
2800	3000		0	663	319	0	0	-	-
			1	5 968	3 513	4	14	23.5	31.5
			2	<b>8 035</b>	<b>4 839</b>	9	19	<b>31.4</b>	<b>39.4</b>
			3	8 799	5 352	12	23	33.7	41.7
3000			0	716	344	0	0	-	-
			1	6 447	3 795	4	14	23.6	31.6
			2	<b>8 680</b>	<b>5 228</b>	10	19	<b>31.6</b>	<b>39.6</b>
			3	9 506	5 781	14	23	34.1	42.1

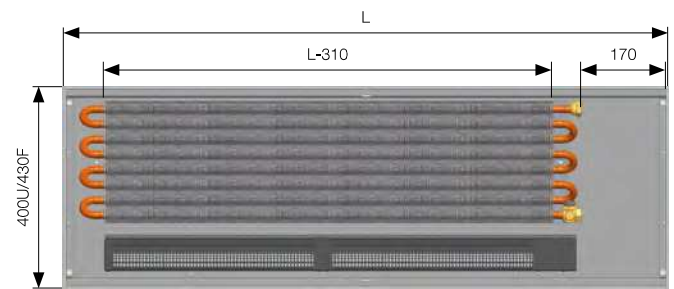
Temperature exponent [n]

0.9982

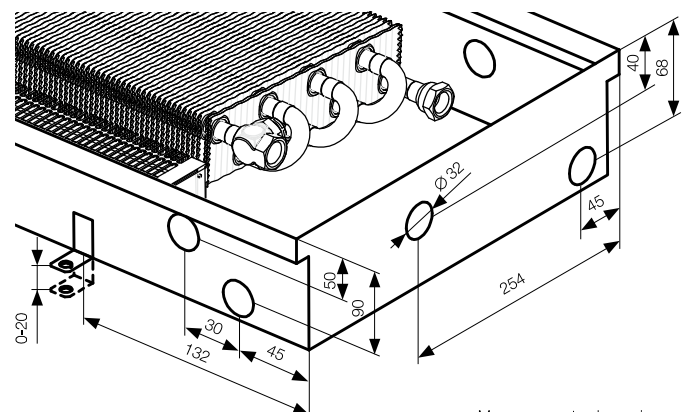
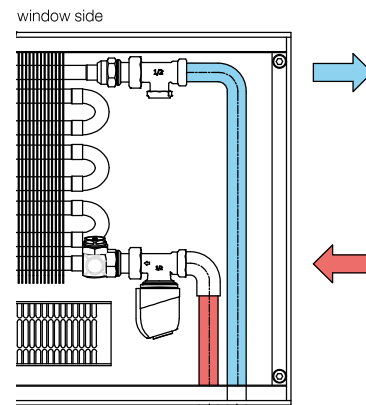


U = U-frame, F = F-frame

Where the F-frame is fitted, both the length and width increase by 30 mm. Measurements for U-frame and Cross frame are identical.



### Connections and connection measurements



Measurements shown in mm.

### More information

FV mounting p. 99, Raised floor installation p. 100, Convector connections p. 101, Linear grille supports p. 126, Regulation and accessories p. 103, Noise and acoustics p. 111, Basic tech. specifications p. 112, Pressure losses p. 113, Grilles p. 120–127

Optimal-V FVO  
Energy FVE



## KORAFLEX OPTIMAL-V FVO 24V DC | DEPTH 110mm

PRODUCT CODE	VERSION	DEPTH	WIDTH	LENGTH (mm)											
				800	1000	1200	1400	1600	1800	2000	2200	2400	2600	2800	3000
<b>LVFO-***/11/20-V5F1P0R-RT</b>	<b>24V DC</b>	<b>110mm</b>	<b>200mm</b>	\$ 1,755.00	\$ 1,985.00	\$ 2,205.00	\$ 2,380.00	\$ 2,615.00	\$ 2,750.00	\$ 2,920.00	\$ 3,805.00	\$ 4,060.00	\$ 4,200.00	\$ 4,360.00	\$ 4,540.00
FAN SPEED SETTING No: 2	HEAT OUTPUT 75/65/20°C   WATTS			1043	1534	2025	2515	3006	3497	3988	4478	4969	5460	5951	6442
	HEAT OUTPUT 55/45/20°C   WATTS			618	908	1199	1489	1780	2071	2361	2652	2943	3233	3524	3815

PRODUCT CODE	VERSION	DEPTH	WIDTH	LENGTH (mm)											
				800	1000	1200	1400	1600	1800	2000	2200	2400	2600	2800	3000
<b>LVFO-***/11/26-V5F1P0R-RT</b>	<b>24V DC</b>	<b>110mm</b>	<b>260mm</b>	\$ 1,820.00	\$ 2,095.00	\$ 2,345.00	\$ 2,535.00	\$ 2,815.00	\$ 2,980.00	\$ 3,140.00	\$ 4,150.00	\$ 4,435.00	\$ 4,605.00	\$ 4,790.00	\$ 5,055.00
FAN SPEED SETTING No: 2	HEAT OUTPUT 75/65/20°C   WATTS			1090	1535	1980	2425	2870	3315	3760	4206	4650	5095	5540	5985
	HEAT OUTPUT 55/45/20°C   WATTS			666	938	1210	1482	1754	2026	2298	2570	2842	3114	3386	3658

PRODUCT CODE	VERSION	DEPTH	WIDTH	LENGTH (mm)											
				800	1000	1200	1400	1600	1800	2000	2200	2400	2600	2800	3000
<b>LVFO-***/11/32-V5F1P0R-RT</b>	<b>24V DC</b>	<b>110mm</b>	<b>320mm</b>	\$ 1,940.00	\$ 2,225.00	\$ 2,520.00	\$ 2,760.00	\$ 3,080.00	\$ 3,290.00	\$ 3,500.00	\$ 4,525.00	\$ 4,855.00	\$ 4,525.00	\$ 5,305.00	\$ 5,615.00
FAN SPEED SETTING No: 2	HEAT OUTPUT 75/65/20°C   WATTS			1700	2394	3088	3782	4476	5170	5864	6558	7252	7946	8540	9334
	HEAT OUTPUT 55/45/20°C   WATTS			1005	1415	1825	2236	2646	3056	3466	3876	4267	4697	5107	5517

PRODUCT CODE	VERSION	DEPTH	WIDTH	LENGTH (mm)											
				800	1000	1200	1400	1600	1800	2000	2200	2400	2600	2800	3000
<b>LVFO-***/11/40-V5F1P0R-RT</b>	<b>24V DC</b>	<b>110mm</b>	<b>400mm</b>	\$ 2,065.00	\$ 2,365.00	\$ 2,700.00	\$ 2,985.00	\$ 3,350.00	\$ 3,605.00	\$ 3,860.00	\$ 4,895.00	\$ 5,265.00	\$ 5,530.00	\$ 5,810.00	\$ 6,155.00
FAN SPEED SETTING No: 2	HEAT OUTPUT 75/65/20°C   WATTS			1956	2754	3552	4351	5149	5947	6746	7544	8342	9140	9939	10737
	HEAT OUTPUT 55/45/20°C   WATTS			1160	1634	2106	2581	3055	3526	4002	4476	4949	5423	5896	6370

\* ECONOMIC | Non Laquered Al/CU heat exchanger with bleed valve  
 \* EXCLUSIVE | RAL 9005 BLACK Laquered Al/CU heat exchanger with bleed valve

\* RAL 9005 Black Laquered galvanised steel case | \* Aluminium U-Frame Silver Elox | \* Metal Cover Plate  
 \* Set of Low-Energy EC fans 24V DC | \* 24V DC Terminal block and Regulator (FCR Box)  
 \* Levelling set screws and 4 anchors | \* Spacers for correct installation when setting in concrete | \* Hardboard cover to protect element

\* GRILLES ARE NOT INCLUDED IN TRENCH HEATER PRICING AND MUST BE ORDERED SEPERATELY | \* REFER TO ORDERING CODES ON PAGE

\* ALL PRICING IS EXCLUDING GST



## KORAFLEX ENERGY FVE 240V AC | DEPTH 110mm

PRODUCT CODE	VERSION	DEPTH	WIDTH	LENGTH (mm)											
				800	1000	1200	1400	1600	1800	2000	2200	2400	2600	2800	3000
LVFO-*/*/11/20-V5F1P0R-RE	240V AC	110mm	200mm		\$ 1,985.00	\$ 2,205.00	\$ 2,380.00	\$ 2,615.00	\$ 2,750.00	\$ 2,920.00	\$ 3,805.00	\$ 4,060.00	\$ 4,200.00	\$ 4,360.00	\$ 4,540.00
FAN SPEED SETTING No: 2	HEAT OUTPUT 75/65/20°C   WATTS				1043	1534	2025	2515	3006	3497	3988	4478	4969	5460	5951
	HEAT OUTPUT 55/45/20°C   WATTS				618	908	1199	1489	1780	2071	2361	2652	2943	3233	3524

PRODUCT CODE	VERSION	DEPTH	WIDTH	LENGTH (mm)											
				800	1000	1200	1400	1600	1800	2000	2200	2400	2600	2800	3000
LVFO-*/*/11/26-V5F1P0R-RE	240V AC	110mm	260mm		\$ 2,095.00	\$ 2,345.00	\$ 2,535.00	\$ 2,815.00	\$ 2,980.00	\$ 3,140.00	\$ 4,150.00	\$ 4,435.00	\$ 4,605.00	\$ 4,790.00	\$ 5,055.00
FAN SPEED SETTING No: 2	HEAT OUTPUT 75/65/20°C   WATTS				1090	1535	1980	2425	2870	3315	3760	4206	4650	5095	5540
	HEAT OUTPUT 55/45/20°C   WATTS				666	938	1210	1482	1754	2026	2298	2570	2842	3114	3386

PRODUCT CODE	VERSION	DEPTH	WIDTH	LENGTH (mm)											
				800	1000	1200	1400	1600	1800	2000	2200	2400	2600	2800	3000
LVFO-*/*/11/32-V5F1P0R-RE	240V AC	110mm	320mm		\$ 2,225.00	\$ 2,520.00	\$ 2,760.00	\$ 3,080.00	\$ 3,290.00	\$ 3,500.00	\$ 4,525.00	\$ 4,855.00	\$ 4,525.00	\$ 5,305.00	\$ 5,615.00
FAN SPEED SETTING No: 2	HEAT OUTPUT 75/65/20°C   WATTS				1700	2394	3088	3782	4476	5170	5864	6558	7252	7946	8540
	HEAT OUTPUT 55/45/20°C   WATTS				1005	1415	1825	2236	2646	3056	3466	3876	4287	4697	5107

PRODUCT CODE	VERSION	DEPTH	WIDTH	LENGTH (mm)											
				800	1000	1200	1400	1600	1800	2000	2200	2400	2600	2800	3000
LVFO-*/*/11/40-V5F1P0R-RE	240V AC	110mm	400mm		\$ 2,365.00	\$ 2,700.00	\$ 2,985.00	\$ 3,350.00	\$ 3,605.00	\$ 3,860.00	\$ 4,895.00	\$ 5,265.00	\$ 5,530.00	\$ 5,810.00	\$ 6,155.00
FAN SPEED SETTING No: 2	HEAT OUTPUT 75/65/20°C   WATTS				1956	2754	3552	4351	5149	5947	6746	7544	8342	9140	9939
	HEAT OUTPUT 55/45/20°C   WATTS				1160	1634	2106	2581	3055	3526	4002	4476	4949	5423	5896

\* ECONOMIC | Non Laquered Al/CU heat exchanger with bleed valve  
 \* EXCLUSIVE | RAL 9005 BLACK Laquered Al/CU heat exchanger with bleed valve

\* RAL 9005 Black Laquered galvanised steel case | \* Aluminium U-Frame Silver Elox | \* Metal Cover Plate  
 \* Set of Low-Energy EC fans 240V AC | \* 240V AC Terminal block and Regulator (R Box)  
 \* Levelling set screws and 4 anchors | \* Spacers for correct installation when setting in concrete | \* Hardboard cover to protect element

\* GRILLES ARE NOT INCLUDED IN TRENCH HEATER PRICING AND MUST BE ORDERED SEPERATELY | \* REFER TO ORDERING CODES ON PAGE

\* ALL PRICING IS EXCLUDING GST

# KORAFLEX

## Optimal-V FVO, Energy FVE



depth 110 mm/width 200 mm

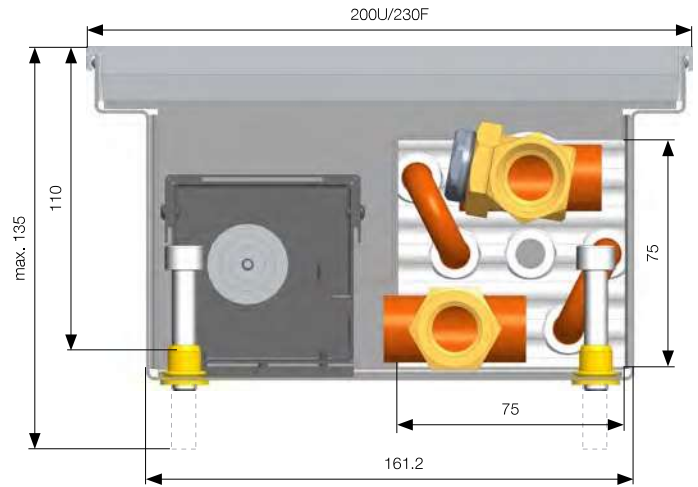
### Heat output [W] where $t_1/t_2/t_3$ / EN 16430

Measurements shown in mm including U-frame.

Length	Optimal-V	Energy	Fan speed setting	Heat output [W]		El. consumption [W]		Acoustics	
				75/65/20 °C	55/45/20 °C	Optimal-V 24 V DC	Energy 230 V AC	Sound pressure [dB(A)]	Sound power [dB(A)]
800	1000		0	67	33	0	0	-	-
			1	803	477	1	10	19.1	27.1
			2	<b>1 043</b>	<b>618</b>	<b>2</b>	<b>11</b>	<b>26.6</b>	<b>34.6</b>
1000	1200		3	1 145	677	2	12	28.9	36.9
			0	98	48	0	0	-	-
			1	1 181	701	1	11	19.8	27.8
1200	1400		2	<b>1 534</b>	<b>908</b>	<b>2</b>	<b>12</b>	<b>27.6</b>	<b>35.6</b>
			3	1 684	996	3	13	30.0	38
			0	129	64	0	0	-	-
1400	1600		1	1 558	926	2	11	20.1	28.1
			2	<b>2 025</b>	<b>1 199</b>	<b>3</b>	<b>13</b>	<b>28.3</b>	<b>36.3</b>
			3	2 223	1 315	4	14	31.0	39
1600	1800		0	161	79	0	0	-	-
			1	1 936	1 150	2	11	20.8	28.8
			2	<b>2 515</b>	<b>1 489</b>	<b>3</b>	<b>13</b>	<b>29.0</b>	<b>37</b>
1800	2000		3	2 762	1 634	4	14	31.7	39.7
			0	192	94	0	0	-	-
			1	2 314	1 374	2	11	21.2	29.2
2000	2200		2	<b>3 006</b>	<b>1 780</b>	<b>4</b>	<b>13</b>	<b>29.5</b>	<b>37.5</b>
			3	3 301	1 952	5	14	32.4	40.4
			0	223	110	0	0	-	-
2200	2400		1	2 692	1 599	2	13	22.0	30
			2	<b>3 497</b>	<b>2 071</b>	<b>4</b>	<b>15</b>	<b>30.1</b>	<b>38.1</b>
			3	3 840	2 271	5	18	32.9	40.9
2400	2600		0	255	125	0	0	-	-
			1	3 069	1 823	3	13	21.9	29.9
			2	<b>3 988</b>	<b>2 361</b>	<b>5</b>	<b>15</b>	<b>30.5</b>	<b>38.5</b>
2600	2800		3	4 379	2 590	6	18	33.5	41.5
			0	286	141	0	0	-	-
			1	3 447	2 047	3	13	22.2	30.2
2800	3000		2	<b>4 478</b>	<b>2 652</b>	<b>5</b>	<b>15</b>	<b>30.9</b>	<b>38.9</b>
			3	4 918	2 909	6	18	34.0	42
			0	318	156	0	0	-	-
3000			1	3 825	2 272	3	13	22.4	30.4
			2	<b>4 969</b>	<b>2 943</b>	<b>6</b>	<b>16</b>	<b>31.3</b>	<b>39.3</b>
			3	5 457	3 227	8	18	34.5	42.5
3000			0	349	172	0	0	-	-
			1	4 203	2 496	4	13	22.7	30.7
			2	<b>5 460</b>	<b>3 233</b>	<b>7</b>	<b>17</b>	<b>31.6</b>	<b>39.6</b>
3000			3	5 996	3 546	9	18	34.9	42.9
			0	380	187	0	0	-	-
			1	4 581	2 721	4	13	22.7	30.7
3000			2	<b>5 951</b>	<b>3 524</b>	<b>7</b>	<b>17</b>	<b>31.9</b>	<b>39.9</b>
			3	6 535	3 865	9	19	35.3	43.3
			0	412	202	0	0	-	-
3000			1	4 958	2 945	4	13	23.1	31.1
			2	<b>6 442</b>	<b>3 815</b>	<b>8</b>	<b>17</b>	<b>32.2</b>	<b>40.2</b>
			3	7 074	4 184	11	19	35.6	43.6

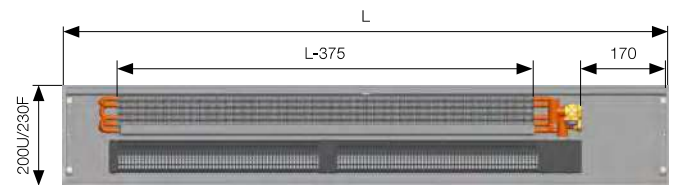
Temperature exponent [n]

1.0173

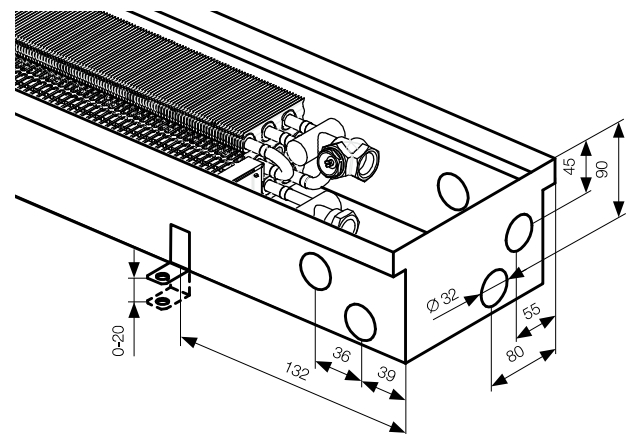
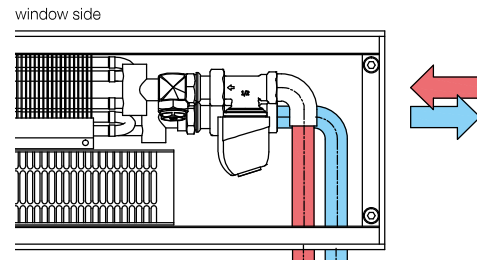


U = U-frame, F = F-frame

Where the F-frame is fitted, both the length and width increase by 30 mm. Measurements for U-frame and Cross frame are identical.



### Connections and connection measurements



Measurements shown in mm.

### More information

FV mounting p. 99, Raised floor installation p. 100, Convector connections p. 101, Linear grille supports p. 126, Regulation and accessories p. 103, Noise and acoustics p. 111, Basic tech. specifications p. 112, Pressure losses p. 113, Grilles p. 120–127



# KORAFLEX

## Optimal-V FVO, Energy FVE

depth 110 mm/width 260 mm

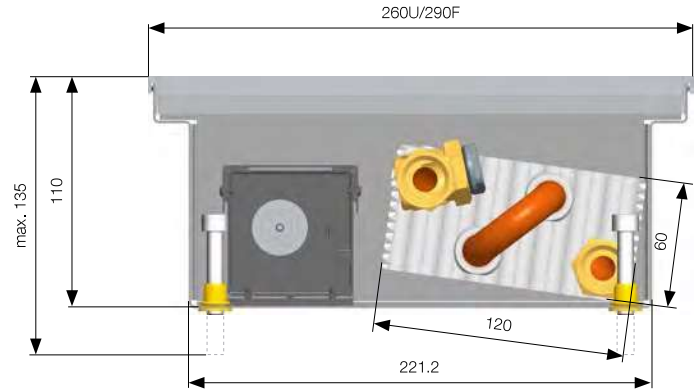
### Heat output [W] where $t_1/t_2/t_3$ / EN 16430

Measurements shown in mm including U-frame.

Length	Optimal-V	Energy	Fan speed setting	Heat output [W]		El. consumption [W]		Acoustics	
				75/65/20 °C	55/45/20 °C	Optimal-V 24 V DC	Energy 230 V AC	Sound pressure [dB(A)]	Sound power [dB(A)]
800	1000		0	90	41	0	0	-	-
			1	684	415	1	11	19.1	27.1
			2	<b>1 090</b>	<b>666</b>	<b>2</b>	<b>12</b>	<b>26.6</b>	<b>34.6</b>
1000	1200		3	1 277	784	2	13	28.9	36.9
			0	127	58	0	0	-	-
			1	963	584	2	11	19.8	27.8
1200	1400		2	<b>1 535</b>	<b>938</b>	<b>3</b>	<b>13</b>	<b>27.6</b>	<b>35.6</b>
			3	1 799	1 104	3	13	30.0	38
			0	164	75	0	0	-	-
1400	1600		1	1 243	753	2	12	20.1	28.1
			2	<b>1 980</b>	<b>1 210</b>	<b>3</b>	<b>13</b>	<b>28.3</b>	<b>36.3</b>
			3	2 320	1 424	4	14	31.0	39
1600	1800		0	201	92	0	0	-	-
			1	1 522	922	2	12	20.8	28.8
			2	<b>2 425</b>	<b>1 482</b>	<b>3</b>	<b>13</b>	<b>29.0</b>	<b>37</b>
1800	2000		3	2 842	1 743	4	14	31.7	39.7
			0	237	109	0	0	-	-
			1	1 801	1 091	2	12	21.2	29.2
2000	2200		2	<b>2 870</b>	<b>1 754</b>	<b>4</b>	<b>15</b>	<b>29.5</b>	<b>37.5</b>
			3	3 363	2 063	6	16	32.4	40.4
			0	274	125	0	0	-	-
2200	2400		1	2 080	1 261	3	12	22.0	30
			2	<b>3 315</b>	<b>2 026</b>	<b>6</b>	<b>15</b>	<b>30.1</b>	<b>38.1</b>
			3	3 884	2 383	8	16	32.9	40.9
2400	2600		0	311	142	0	0	-	-
			1	2 360	1 430	3	13	21.9	29.9
			2	<b>3 760</b>	<b>2 298</b>	<b>6</b>	<b>16</b>	<b>30.5</b>	<b>38.5</b>
2600	2800		3	4 406	2 703	8	18	33.5	41.5
			0	348	159	0	0	-	-
			1	2 639	1 599	4	13	22.2	30.2
2800	3000		2	<b>4 205</b>	<b>2 570</b>	<b>6</b>	<b>16</b>	<b>30.9</b>	<b>38.9</b>
			3	4 927	3 023	8	18	34.0	42
			0	385	176	0	0	-	-
3000			1	2 918	1 768	4	14	22.4	30.4
			2	<b>4 650</b>	<b>2 842</b>	<b>7</b>	<b>18</b>	<b>31.3</b>	<b>39.3</b>
			3	5 449	3 343	9	21	34.5	42.5
2600	2800		0	421	193	0	0	-	-
			1	3 197	1 937	4	14	22.7	30.7
			2	<b>5 095</b>	<b>3 114</b>	<b>9</b>	<b>19</b>	<b>31.6</b>	<b>39.6</b>
2800	3000		3	5 970	3 663	13	22	34.9	42.9
			0	458	210	0	0	-	-
			1	3 476	2 107	4	15	22.7	30.7
3000			2	<b>5 540</b>	<b>3 386</b>	<b>10</b>	<b>20</b>	<b>31.9</b>	<b>39.9</b>
			3	6 491	3 983	14	25	35.3	43.3
			0	495	227	0	0	-	-
3000			1	3 756	2 276	5	15	23.1	31.1
			2	<b>5 985</b>	<b>3 658</b>	<b>12</b>		<b>32.2</b>	<b>40.2</b>
			3	7 013	4 303	17		35.6	43.6

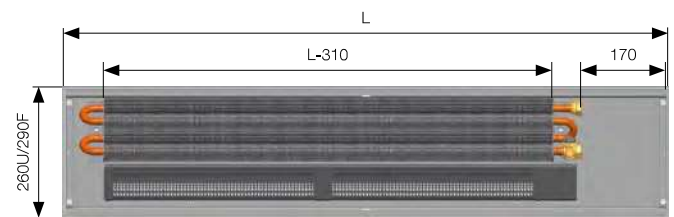
Temperature exponent [n]

0.9745

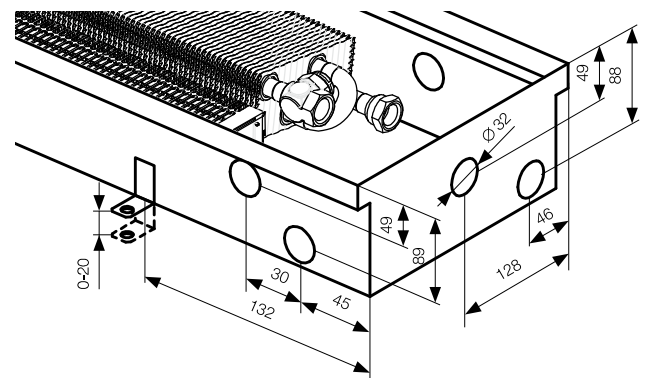
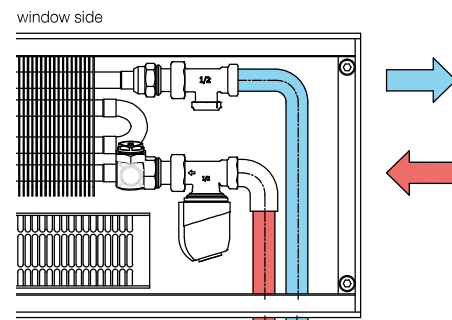


U = U-frame, F = F-frame

Where the F-frame is fitted, both the length and width increase by 30 mm. Measurements for U-frame and Cross frame are identical.



### Connections and connection measurements



Measurements shown in mm.

### More information

FV mounting p. 99, Raised floor installation p. 100, Convector connections p. 101, Linear grille supports p. 126, Regulation and accessories p. 103, Noise and acoustics p. 111, Basic tech. specifications p. 112, Pressure losses p. 113, Grilles p. 120–127

# KORAFLEX

## Optimal-V FVO, Energy FVE



depth 110 mm/width 320 mm

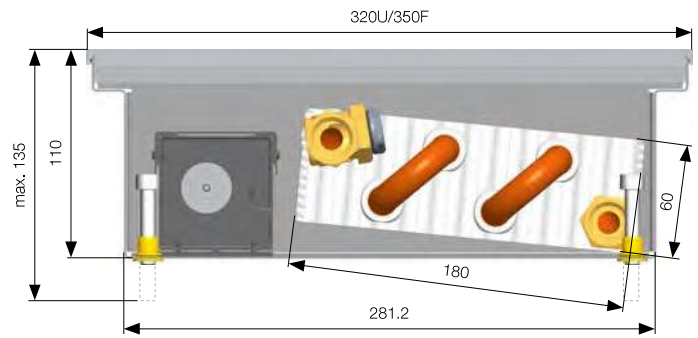
Heat output [W] where  $t_1/t_2/t_3$  / EN 16430

Measurements shown in mm including U-frame.

Length	Optimal-V Energy	Fan speed setting	Heat output [W]		El. consumption [W]		Acoustics	
			75/65/20 °C	55/45/20 °C	Optimal-V 24 V DC	Energy 230 V AC	Sound pressure [dB(A)]	Sound power [dB(A)]
800	1000	0	130	61	0	0	-	-
		1	1 264	746	1	11	23.2	31.2
		<b>2</b>	<b>1 700</b>	<b>1 005</b>	<b>2</b>	<b>12</b>	<b>29.3</b>	<b>37.3</b>
		3	1 885	1 115	2	13	32.0	40
1000	1200	0	183	85	0	0	-	-
		1	1 780	1 050	2	11	23.6	31.6
		<b>2</b>	<b>2 394</b>	<b>1 415</b>	<b>3</b>	<b>13</b>	<b>30.0</b>	<b>38</b>
		3	2 654	1 570	3	14	32.6	40.6
1200	1400	0	237	110	0	0	-	-
		1	2 296	1 355	2	12	24.8	32.8
		<b>2</b>	<b>3 088</b>	<b>1 825</b>	<b>3</b>	<b>13</b>	<b>30.8</b>	<b>38.8</b>
		3	3 423	2 025	4	14	33.1	41.1
1400	1600	0	290	135	0	0	-	-
		1	2 812	1 659	2	12	24.3	32.3
		<b>2</b>	<b>3 782</b>	<b>2 236</b>	<b>3</b>	<b>13</b>	<b>31.1</b>	<b>39.1</b>
		3	4 192	2 480	4	15	33.6	41.6
1600	1800	0	343	159	0	0	-	-
		1	3 328	1 963	2	12	24.5	32.5
		<b>2</b>	<b>4 476</b>	<b>2 646</b>	<b>5</b>	<b>15</b>	<b>31.5</b>	<b>39.5</b>
		3	4 961	2 935	7	17	34.0	42
1800	2000	0	396	184	0	0	-	-
		1	3 844	2 268	3	12	24.6	32.6
		<b>2</b>	<b>5 170</b>	<b>3 056</b>	<b>6</b>	<b>15</b>	<b>31.4</b>	<b>39.4</b>
		3	5 730	3 390	7	17	34.5	42.5
2000	2200	0	449	209	0	0	-	-
		1	4 360	2 572	3	13	24.9	32.9
		<b>2</b>	<b>5 864</b>	<b>3 466</b>	<b>6</b>	<b>16</b>	<b>32.2</b>	<b>40.2</b>
		3	6 500	3 845	7	17	34.7	42.7
2200	2400	0	502	233	0	0	-	-
		1	4 876	2 876	3	13	25.1	33.1
		<b>2</b>	<b>6 558</b>	<b>3 876</b>	<b>6</b>	<b>16</b>	<b>32.4</b>	<b>40.4</b>
		3	7 269	4 300	7	18	35.0	43
2400	2600	0	555	258	0	0	-	-
		1	5 392	3 181	4	14	25.3	33.3
		<b>2</b>	<b>7 252</b>	<b>4 287</b>	<b>8</b>	<b>18</b>	<b>32.7</b>	<b>40.7</b>
		3	8 038	4 755	10	21	35.2	43.2
2600	2800	0	609	283	0	0	-	-
		1	5 908	3 485	5	14	25.4	33.4
		<b>2</b>	<b>7 946</b>	<b>4 697</b>	<b>10</b>	<b>19</b>	<b>33.0</b>	<b>41</b>
		3	8 807	5 210	14	24	35.4	43.4
2800	3000	0	662	308	0	0	-	-
		1	6 424	3 790	5	15	24.6	32.6
		<b>2</b>	<b>8 640</b>	<b>5 107</b>	<b>12</b>	<b>22</b>	<b>33.4</b>	<b>41.4</b>
		3	9 576	5 665	16	27	35.6	43.6
3000		0	715	332	0	0	-	-
		1	6 940	4 094	6	16	25.7	33.7
		<b>2</b>	<b>9 334</b>	<b>5 517</b>	<b>14</b>	<b>22</b>	<b>33.4</b>	<b>41.4</b>
		3	10 346	6 120	19	27	35.9	43.9

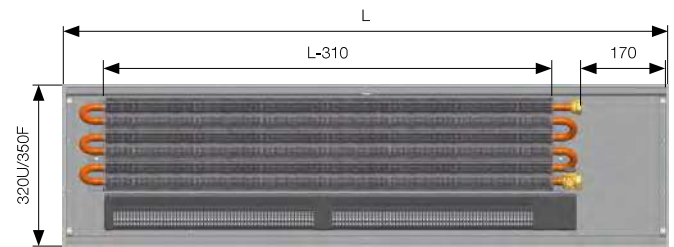
Temperature exponent [n]

1.0285

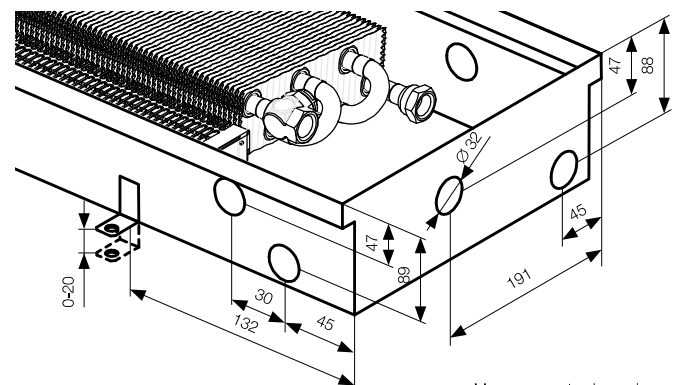
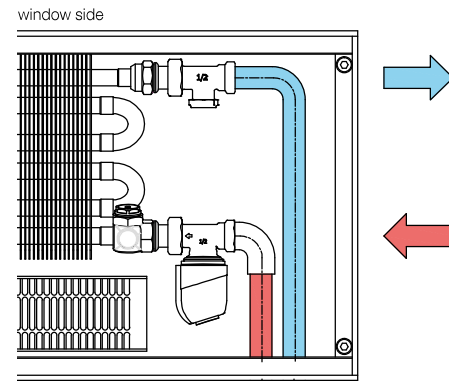


U = U-frame, F = F-frame

Where the F-frame is fitted, both the length and width increase by 30 mm. Measurements for U-frame and Cross frame are identical.



### Connections and connection measurements



Measurements shown in mm.

### More information

FV mounting p. 99, Raised floor installation p. 100, Convector connections p. 101, Linear grille supports p. 126, Regulation and accessories p. 103, Noise and acoustics p. 111, Basic tech. specifications p. 112, Pressure losses p. 113, Grilles p. 120–127

# KORAFLEX

## Optimal-V FVO, Energy FVE

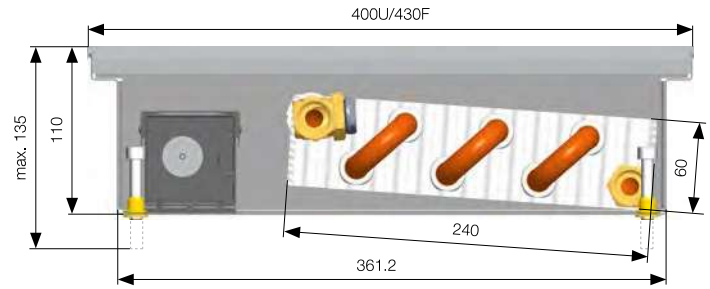


depth 110 mm/width 400 mm

### Heat output [W] where $t_1/t_2/t_3$ / EN 16430

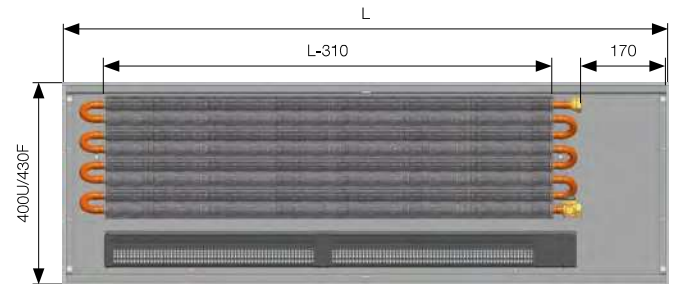
Measurements shown in mm including U-frame.

Length	Optimal-V	Energy	Fan speed setting	Heat output [W]		El. consumption [W]		Acoustics	
				75/65/20 °C	55/45/20 °C	Optimal-V 24 V DC	Energy 230 V AC	Sound pressure [dB(A)]	Sound power [dB(A)]
800	1000		0	205	97	0	0	-	-
			1	1 504	883	1	10	21.7	29.7
			2	<b>1 956</b>	<b>1 160</b>	<b>2</b>	<b>12</b>	<b>27.5</b>	<b>35.5</b>
1000	1200		3	2 132	1 270	3	13	30.2	38.2
			0	288	137	0	0	-	-
			1	2 117	1 244	2	11	22.0	30
1200	1400		2	<b>2 754</b>	<b>1 634</b>	<b>3</b>	<b>13</b>	<b>28.2</b>	<b>36.2</b>
			3	3 003	1 789	4	13	30.8	38.8
			0	372	177	0	0	-	-
1400	1600		1	2 731	1 604	2	11	22.3	30.3
			2	<b>3 552</b>	<b>2 108</b>	<b>4</b>	<b>13</b>	<b>28.8</b>	<b>36.8</b>
			3	3 873	2 308	5	14	31.2	39.2
1600	1800		0	456	217	0	0	-	-
			1	3 345	1 965	2	12	22.5	30.5
			2	<b>4 351</b>	<b>2 581</b>	<b>4</b>	<b>14</b>	<b>29.3</b>	<b>37.3</b>
1800	2000		3	4 743	2 826	5	15	31.8	39.8
			0	539	256	0	0	-	-
			1	3 959	2 325	2	12	22.7	30.7
2000	2200		2	<b>5 149</b>	<b>3 055</b>	<b>5</b>	<b>15</b>	<b>29.7</b>	<b>37.7</b>
			3	5 613	3 345	7	17	32.2	40.2
			0	623	296	0	0	-	-
2200	2400		1	4 572	2 685	3	12	22.9	30.9
			2	<b>5 947</b>	<b>3 528</b>	<b>7</b>	<b>15</b>	<b>30.0</b>	<b>38</b>
			3	6 484	3 863	10	17	32.9	40.9
2400	2600		0	706	336	0	0	-	-
			1	5 186	3 046	3	13	23.0	31
			2	<b>6 746</b>	<b>4 002</b>	<b>7</b>	<b>16</b>	<b>30.4</b>	<b>38.4</b>
2600	2800		3	7 354	4 382	10	17	32.9	40.9
			0	790	376	0	0	-	-
			1	5 800	3 406	3	13	23.1	31.1
2800	3000		2	<b>7 544</b>	<b>4 476</b>	<b>7</b>	<b>16</b>	<b>30.7</b>	<b>38.7</b>
			3	8 224	4 900	10	18	33.2	41.2
			0	874	415	0	0	-	-
3000			1	6 413	3 767	4	14	23.3	31.3
			2	<b>8 342</b>	<b>4 949</b>	<b>7</b>	<b>18</b>	<b>30.9</b>	<b>38.9</b>
			3	9 095	5 419	10	21	33.4	41.4
3200			0	957	455	0	0	-	-
			1	7 027	4 127	5	14	23.4	31.4
			2	<b>9 140</b>	<b>5 423</b>	<b>10</b>	<b>19</b>	<b>31.2</b>	<b>39.2</b>
3400			3	9 965	5 937	14	23	33.6	41.6
			0	1 041	495	0	0	-	-
			1	7 641	4 488	5	15	23.5	31.5
3600			2	<b>9 939</b>	<b>5 896</b>	<b>11</b>	<b>21</b>	<b>31.4</b>	<b>39.4</b>
			3	10 835	6 456	16	26	33.7	41.7
			0	1 124	535	0	0	-	-
3800			1	8 255	4 848	6	18	23.6	31.6
			2	<b>10 737</b>	<b>6 370</b>	<b>13</b>	<b>23</b>	<b>31.6</b>	<b>39.6</b>
			3	11 705	6 974	19	28	34.1	42.1
Temperature exponent [n]						1.0195			

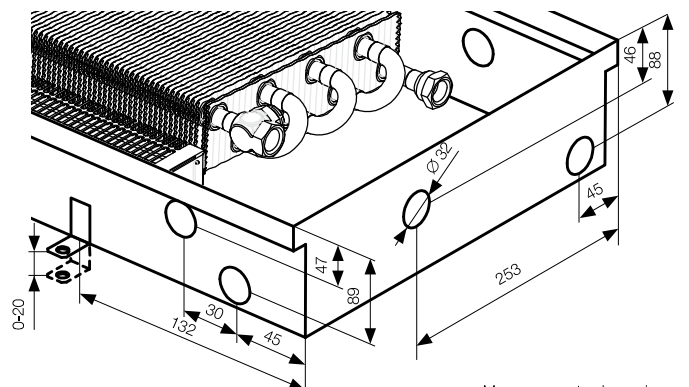
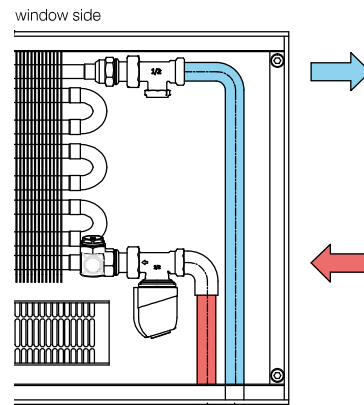


U = U-frame, F = F-frame

Where the F-frame is fitted, both the length and width increase by 30 mm. Measurements for U-frame and Cross frame are identical.



### Connections and connection measurements



Measurements shown in mm.

### More information

FV mounting p. 99, Raised floor installation p. 100, Convector connections p. 101, Linear grille supports p. 126, Regulation and accessories p. 103, Noise and acoustics p. 111, Basic tech. specifications p. 112, Pressure losses p. 113, Grilles p. 120–127

Optimal-V FVO  
Energy FVE



## KORAFLEX OPTIMAL-V FVO 24V DC | DEPTH 130mm

PRODUCT CODE	VERSION	DEPTH	WIDTH	LENGTH (mm)											
				800	1000	1200	1400	1600	1800	2000	2200	2400	2600	2800	3000
<b>LVFO-***/13/20-V5F1POR-RT</b>	<b>24V DC</b>	<b>130mm</b>	<b>260mm</b>	\$ 1,830.00	\$ 2,105.00	\$ 2,355.00	\$ 2,550.00	\$ 2,835.00	\$ 3,000.00	\$ 3,165.00	\$ 4,175.00	\$ 4,470.00	\$ 4,640.00	\$ 4,825.00	\$ 5,100.00
<b>FAN SPEED SETTING No: 2</b>															
HEAT OUTPUT 75/65/20°C   WATTS				1169	1646	2123	2600	3077	3554	4031	4508	4966	5463	5940	6417
HEAT OUTPUT 55/45/20°C   WATTS				675	951	1227	1503	1778	2054	2330	2605	2881	3157	3432	3708

PRODUCT CODE	VERSION	DEPTH	WIDTH	LENGTH (mm)											
				800	1000	1200	1400	1600	1800	2000	2200	2400	2600	2800	3000
<b>LVFO-***/13/32-V5F1POR-RT</b>	<b>24V DC</b>	<b>130mm</b>	<b>320mm</b>	\$ 2,410.00	\$ 2,700.00	\$ 3,070.00	\$ 3,290.00	\$ 3,665.00	\$ 3,880.00	\$ 5,105.00	\$ 5,560.00	\$ 5,900.00	\$ 6,140.00	\$ 6,490.00	\$ 6,715.00
<b>FAN SPEED SETTING No: 2</b>															
HEAT OUTPUT 75/65/20°C   WATTS				1511	2126	2744	3361	3978	4594	5211	5828	6444	7061	7676	8294
HEAT OUTPUT 55/45/20°C   WATTS				908	1279	1650	2021	2391	2762	3133	3503	3874	4245	4616	4986

PRODUCT CODE	VERSION	DEPTH	WIDTH	LENGTH (mm)											
				800	1000	1200	1400	1600	1800	2000	2200	2400	2600	2800	3000
<b>LVFO-***/13/40-V5F1POR-RT</b>	<b>24V DC</b>	<b>130mm</b>	<b>400mm</b>	\$ 2,570.00	\$ 2,885.00	\$ 3,310.00	\$ 3,585.00	\$ 4,020.00	\$ 4,295.00	\$ 5,575.00	\$ 6,085.00	\$ 6,480.00	\$ 6,780.00	\$ 7,185.00	\$ 7,465.00
<b>FAN SPEED SETTING No: 2</b>															
HEAT OUTPUT 75/65/20°C   WATTS				2447	3446	4445	5444	6443	7442	8441	9440	10439	11438	12437	13435
HEAT OUTPUT 55/45/20°C   WATTS				1440	2027	2615	3203	3790	4378	4966	5553	6141	6729	7316	7904

\* ECONOMIC | Non Laquered Al/CU heat exchanger with bleed valve  
 \* EXCLUSIVE | RAL 9005 BLACK Laquered Al/CU heat exchanger with bleed valve

\* RAL 9005 Black Laquered galvanised steel case | \* Aluminium U-Frame Silver Elox | \* Metal Cover Plate  
 \* Set of Low-Energy EC fans 24V DC | \* 24V DC Terminal block and Regulator (FCR Box)  
 \* Levelling set screws and 4 anchors | \* Spacers for correct installation when setting in concrete | \* Hardboard cover to protect element

\* GRILLES ARE NOT INCLUDED IN TRENCH HEATER PRICING AND MUST BE ORDERED SEPERATELY | \* REFER TO ORDERING CODES ON PAGE

\* ALL PRICING IS EXCLUDING GST



## KORAFLEX ENERGY FVE 240V AC | DEPTH 130mm

PRODUCT CODE	VERSION	DEPTH	WIDTH	LENGTH (mm)											
				800	1000	1200	1400	1600	1800	2000	2200	2400	2600	2800	3000
LVFO-***/13/20-V5F1P0R-RE	240V AC	130mm	260mm		\$ 2,105.00	\$ 2,355.00	\$ 2,550.00	\$ 2,835.00	\$ 3,000.00	\$ 3,165.00	\$ 4,175.00	\$ 4,470.00	\$ 4,640.00	\$ 4,825.00	\$ 5,100.00
FAN SPEED SETTING No: 2	HEAT OUTPUT 75/65/20°C   WATTS				1169	1646	2123	2600	3077	3554	4031	4508	4966	5463	5940
	HEAT OUTPUT 55/45/20°C   WATTS				675	951	1227	1503	1778	2054	2330	2605	2881	3157	3432

PRODUCT CODE	VERSION	DEPTH	WIDTH	LENGTH (mm)											
				800	1000	1200	1400	1600	1800	2000	2200	2400	2600	2800	3000
LVFO-***/13/32-V5F1P0R-RE	240V AC	130mm	320mm		\$ 2,700.00	\$ 3,070.00	\$ 3,290.00	\$ 3,665.00	\$ 3,880.00	\$ 5,105.00	\$ 5,560.00	\$ 5,900.00	\$ 6,140.00	\$ 6,490.00	\$ 6,715.00
FAN SPEED SETTING No: 2	HEAT OUTPUT 75/65/20°C   WATTS				1511	2126	2744	3361	3978	4594	5211	5828	6444	7061	7676
	HEAT OUTPUT 55/45/20°C   WATTS				908	1279	1650	2021	2391	2762	3133	3503	3874	4245	4616

PRODUCT CODE	VERSION	DEPTH	WIDTH	LENGTH (mm)											
				800	1000	1200	1400	1600	1800	2000	2200	2400	2600	2800	3000
LVFO-***/13/40-V5F1P0R-RE	240V AC	130mm	400mm		\$ 2,885.00	\$ 3,310.00	\$ 3,585.00	\$ 4,020.00	\$ 4,295.00	\$ 5,575.00	\$ 6,085.00	\$ 6,480.00	\$ 6,780.00	\$ 7,185.00	\$ 7,465.00
FAN SPEED SETTING No: 2	HEAT OUTPUT 75/65/20°C   WATTS				2447	3446	4445	5444	6443	7442	8441	9440	10439	11438	12437
	HEAT OUTPUT 55/45/20°C   WATTS				1440	2027	2615	3203	3790	4378	4966	5553	6141	6729	7316

\* ECONOMIC | Non Laquered Al/CU heat exchanger with bleed valve  
 \* EXCLUSIVE | RAL 9005 BLACK Laquered Al/CU heat exchanger with bleed valve

\* RAL 9005 Black Laquered galvanised steel case | \* Aluminium U-Frame Silver Elox | \* Metal Cover Plate  
 \* Set of Low-Energy EC fans 240V AC | \* 240V AC Terminal block and Regulator (R Box)  
 \* Levelling set screws and 4 anchors | \* Spacers for correct installation when setting in concrete | \* Hardboard cover to protect element

\* GRILLES ARE NOT INCLUDED IN TRENCH HEATER PRICING AND MUST BE ORDERED SEPERATELY | \* REFER TO ORDERING CODES ON PAGE

\* ALL PRICING IS EXCLUDING GST



# KORAFLEX

## Optimal-V FVO, Energy FVE



depth 130 mm/width 260 mm

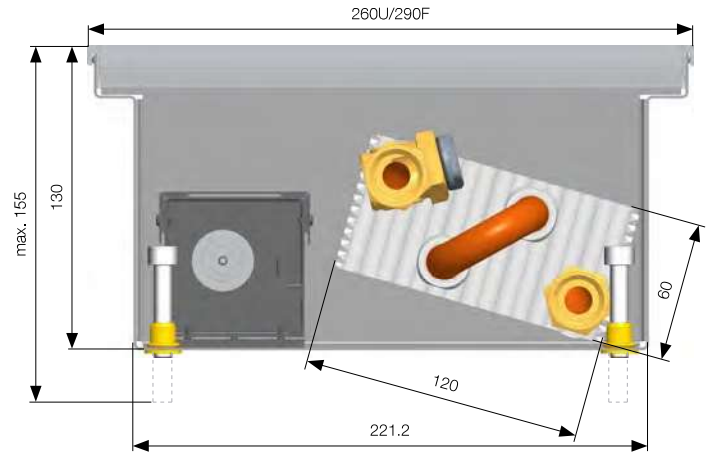
### Heat output [W] where $t_1/t_2/t_3$ / EN 16430

Measurements shown in mm including U-frame.

Length		Fan speed setting	Heat output [W]		El. consumption [W]		Acoustics	
Optimal-V	Energy		75/65/20 °C	55/45/20 °C	Optimal-V 24 V DC	Energy 230 V AC	Sound pressure [dB(A)]	Sound power [dB(A)]
800	1000	0	103	48	0	0	-	-
		1	897	508	1	10	19.1	27.1
		2	<b>1 169</b>	<b>675</b>	<b>2</b>	<b>12</b>	<b>26.6</b>	<b>34.6</b>
		3	1 269	739	2	13	28.9	36.9
1000	1200	0	145	68	0	0	-	-
		1	1 263	716	2	11	19.8	27.8
		2	<b>1 646</b>	<b>951</b>	<b>3</b>	<b>13</b>	<b>27.6</b>	<b>35.6</b>
		3	1 786	1 041	3	13	30.0	38
1200	1400	0	187	88	0	0	-	-
		1	1 629	924	2	12	20.1	28.1
		2	<b>2 123</b>	<b>1 227</b>	<b>3</b>	<b>14</b>	<b>28.3</b>	<b>36.3</b>
		3	2 304	1 342	4	14	31.0	39
1400	1600	0	229	108	0	0	-	-
		1	1 995	1 131	2	12	20.8	28.8
		2	<b>2 600</b>	<b>1 503</b>	<b>3</b>	<b>14</b>	<b>29.0</b>	<b>37</b>
		3	2 822	1 644	4	14	31.7	39.7
1600	1800	0	271	128	0	0	-	-
		1	2 361	1 339	2	12	21.2	29.2
		2	<b>3 077</b>	<b>1 778</b>	<b>4</b>	<b>15</b>	<b>29.5</b>	<b>37.5</b>
		3	3 340	1 946	6	17	32.4	40.4
1800	2000	0	313	147	0	0	-	-
		1	2 727	1 546	3	12	22.0	30
		2	<b>3 554</b>	<b>2 054</b>	<b>6</b>	<b>15</b>	<b>30.1</b>	<b>38.1</b>
		3	3 857	2 247	9	17	32.9	40.9
2000	2200	0	355	167	0	0	-	-
		1	3 093	1 754	3	14	21.9	29.9
		2	<b>4 031</b>	<b>2 330</b>	<b>6</b>	<b>17</b>	<b>30.5</b>	<b>38.5</b>
		3	4 375	2 549	9	18	33.5	41.5
2200	2400	0	397	187	0	0	-	-
		1	3 459	1 961	3	14	22.2	30.2
		2	<b>4 508</b>	<b>2 605</b>	<b>6</b>	<b>17</b>	<b>30.9</b>	<b>38.9</b>
		3	4 893	2 850	9	18	34.0	42
2400	2600	0	439	207	0	0	-	-
		1	3 825	2 169	3	14	22.4	30.4
		2	<b>4 986</b>	<b>2 881</b>	<b>7</b>	<b>18</b>	<b>31.3</b>	<b>39.3</b>
		3	5 411	3 152	9	21	34.5	42.5
2600	2800	0	481	226	0	0	-	-
		1	4 191	2 376	5	14	22.7	30.7
		2	<b>5 463</b>	<b>3 157</b>	<b>11</b>	<b>18</b>	<b>31.6</b>	<b>39.6</b>
		3	5 929	3 454	13	22	34.9	42.9
2800	3000	0	523	246	0	0	-	-
		1	4 557	2 584	5	15	22.7	30.7
		2	<b>5 940</b>	<b>3 432</b>	<b>11</b>	<b>21</b>	<b>31.9</b>	<b>39.9</b>
		3	6 446	3 755	14	25	35.3	43.3
3000		0	565	266	0	0	-	-
		1	4 923	2 791	6	16	23.1	31.1
		2	<b>6 417</b>	<b>3 708</b>	<b>13</b>	<b>21</b>	<b>32.2</b>	<b>40.2</b>
		3	6 964	4 057	17	25	35.6	43.6

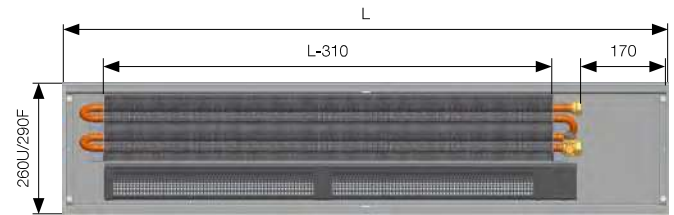
Temperature exponent [n]

1.0976

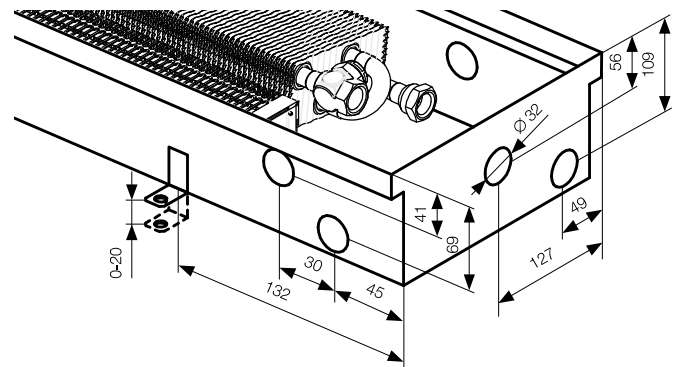
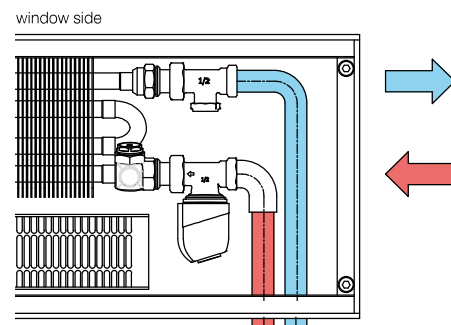


U = U-frame, F = F-frame

Where the F-frame is fitted, both the length and width increase by 30 mm. Measurements for U-frame and Cross frame are identical.



### Connections and connection measurements



Measurements shown in mm.

### More information

FV mounting p. 99, Raised floor installation p. 100, Convectors connections p. 101, Linear grille supports p. 126, Regulation and accessories p. 103, Noise and acoustics p. 111, Basic tech. specifications p. 112, Pressure losses p. 113, Grilles p. 120–127

# KORAFLEX

## Optimal-V FVO, Energy FVE



depth 130 mm/width 320 mm

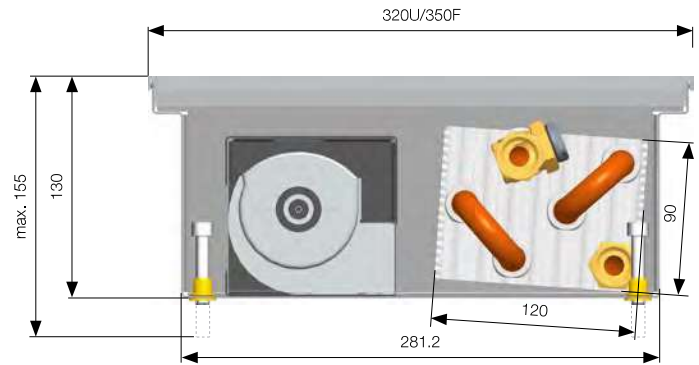
### Heat output [W] where $t_1/t_2/t_3$ / EN 16430

Measurements shown in mm including U-frame.

Length		Fan speed setting	Heat output [W]		El. consumption [W]		Acoustics	
Optimal-V	Energy		75/65/20 °C	55/45/20 °C	Optimal-V 24 V DC	Energy 230 V AC	Sound pressure [dB(A)]	Sound power [dB(A)]
800	1000	0	124	54	0	0	-	-
		1	1 161	698	2	11	23.6	31.6
		<b>2</b>	<b>1 511</b>	<b>908</b>	<b>3</b>	<b>12</b>	<b>31.1</b>	<b>39.1</b>
		3	1 989	1 196	5	15	41.3	49.3
1000	1200	0	175	76	0	0	-	-
		1	1 635	983	2	12	24.3	32.3
		<b>2</b>	<b>2 128</b>	<b>1 279</b>	<b>4</b>	<b>14</b>	<b>32.3</b>	<b>40.3</b>
		3	2 801	1 684	7	18	42.5	50.5
1200	1400	0	225	98	0	0	-	-
		1	2 109	1 268	2	12	25.0	33
		<b>2</b>	<b>2 744</b>	<b>1 650</b>	<b>4</b>	<b>14</b>	<b>33.4</b>	<b>41.4</b>
		3	3 613	2 172	8	19	43.4	51.4
1400	1600	0	276	120	0	0	-	-
		1	2 583	1 553	3	12	25.5	33.5
		<b>2</b>	<b>3 361</b>	<b>2 021</b>	<b>5</b>	<b>14</b>	<b>34.1</b>	<b>42.1</b>
		3	4 425	2 660	12	23	44.2	52.2
1600	1800	0	326	141	0	0	-	-
		1	3 057	1 838	3	14	26.0	34
		<b>2</b>	<b>3 978</b>	<b>2 391</b>	<b>5</b>	<b>17</b>	<b>34.8</b>	<b>42.8</b>
		3	5 237	3 148	14	26	44.9	52.9
1800	2000	0	377	163	0	0	-	-
		1	3 530	2 123	4	14	26.4	34.4
		<b>2</b>	<b>4 594</b>	<b>2 762</b>	<b>8</b>	<b>17</b>	<b>35.1</b>	<b>43.1</b>
		3	6 049	3 636	17	26	45.5	53.5
2000	2200	0	428	185	0	0	-	-
		1	4 004	2 408	4	14	26.8	34.8
		<b>2</b>	<b>5 211</b>	<b>3 133</b>	<b>8</b>	<b>17</b>	<b>36.0</b>	<b>44</b>
		3	6 861	4 124	17	28	46.1	54.1
2200	2400	0	478	207	0	0	-	-
		1	4 478	2 693	4	14	27.1	35.1
		<b>2</b>	<b>5 828</b>	<b>3 503</b>	<b>9</b>	<b>18</b>	<b>36.5</b>	<b>44.5</b>
		3	7 673	4 612	20	31	46.5	54.5
2400	2600	0	529	229	0	0	-	-
		1	4 952	2 978	5	14	27.4	35.4
		<b>2</b>	<b>6 444</b>	<b>3 874</b>	<b>9</b>	<b>18</b>	<b>36.9</b>	<b>44.9</b>
		3	8 485	5 100	22	31	47.0	55
2600	2800	0	579	251	0	0	-	-
		1	5 426	3 263	5	15	27.7	35.7
		<b>2</b>	<b>7 061</b>	<b>4 245</b>	<b>10</b>	<b>19</b>	<b>37.4</b>	<b>45.4</b>
		3	9 297	5 588	23	37	47.4	55.4
2800	3000	0	630	273	0	0	-	-
		1	5 900	3 548	5	15	28.0	36
		<b>2</b>	<b>7 678</b>	<b>4 616</b>	<b>10</b>	<b>19</b>	<b>37.9</b>	<b>45.9</b>
		3	10 109	6 076	28	37	47.8	55.8
3000		0	681	295	0	0	-	-
		1	6 374	3 832	5	15	28.2	36.2
		<b>2</b>	<b>8 294</b>	<b>4 986</b>	<b>10</b>	<b>19</b>	<b>38.1</b>	<b>46.1</b>
		3	10 921	6 564	28	37	48.2	56.2

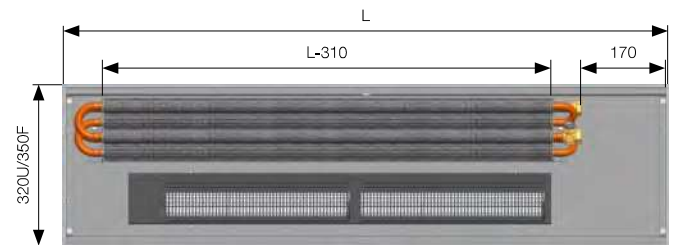
Temperature exponent [n]

0.9838

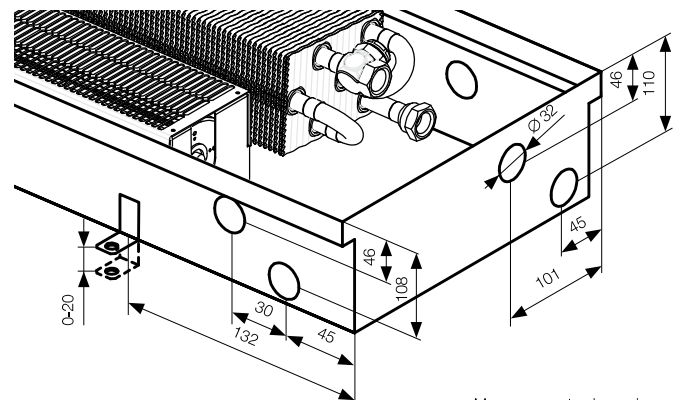
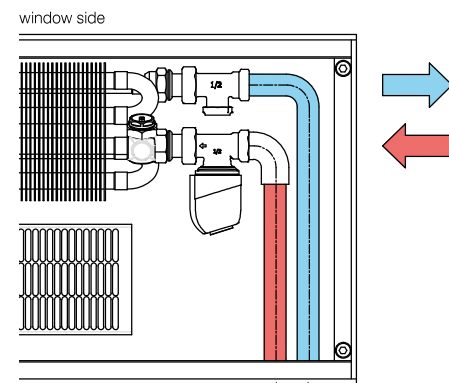


U = U-frame, F = F-frame

Where the F-frame is fitted, both the length and width increase by 30 mm. Measurements for U-frame and Cross frame are identical.



### Connections and connection measurements



Measurements shown in mm.

### More information

FV mounting p. 99, Raised floor installation p. 100, Convector connections p. 101, Linear grille supports p. 126, Regulation and accessories p. 103, Noise and acoustics p. 111, Basic tech. specifications p. 112, Pressure losses p. 113, Grilles p. 120–127

Optimal-V FVO  
Energy FVE

# KORAFLEX

## Optimal-V FVO, Energy FVE



depth 130 mm/width 400 mm

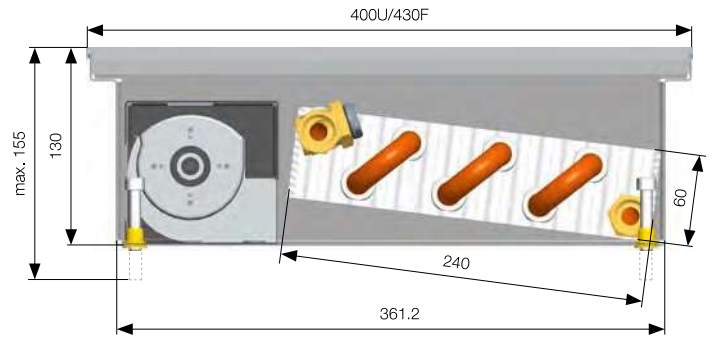
### Heat output [W] where $t_1/t_2/t_3$ / EN 16430

Measurements shown in mm including U-frame.

Length	Optimal-V	Energy	Fan speed setting	Heat output [W]		El. consumption [W]		Acoustics	
				75/65/20 °C	55/45/20 °C	Optimal-V 24 V DC	Energy 230 V AC	Sound pressure [dB(A)]	Sound power [dB(A)]
800	1000		0	211	99	0	0	-	-
			1	1 924	1 120	2	12	23.6	31.6
			2	<b>2 447</b>	<b>1 440</b>	<b>3</b>	<b>13</b>	<b>31.1</b>	<b>39.1</b>
1000	1200		3	3 054	1 824	7	18	41.3	49.3
			0	298	139	0	0	-	-
			1	2 710	1 577	3	12	24.3	32.3
1200	1400		2	<b>3 446</b>	<b>2 027</b>	<b>4</b>	<b>14</b>	<b>32.3</b>	<b>40.3</b>
			3	4 300	2 568	10	19	42.5	50.5
			0	384	179	0	0	-	-
1400	1600		1	3 495	2 034	3	13	25.0	33
			2	<b>4 445</b>	<b>2 615</b>	<b>5</b>	<b>15</b>	<b>33.4</b>	<b>41.4</b>
			3	5 546	3 313	11	25	43.4	51.4
1600	1800		0	470	219	0	0	-	-
			1	4 280	2 491	4	13	25.5	33.5
			2	<b>5 444</b>	<b>3 203</b>	<b>7</b>	<b>15</b>	<b>34.1</b>	<b>42.1</b>
1800	2000		3	6 792	4 057	18	26	44.2	52.2
			0	557	259	0	0	-	-
			1	5 066	2 948	4	13	26.0	34
2000	2200		2	<b>6 443</b>	<b>3 790</b>	<b>8</b>	<b>15</b>	<b>34.8</b>	<b>42.8</b>
			3	8 039	4 801	19	27	44.9	52.9
			0	643	300	0	0	-	-
2200	2400		1	5 851	3 405	5	15	26.4	34.4
			2	<b>7 442</b>	<b>4 378</b>	<b>9</b>	<b>19</b>	<b>35.1</b>	<b>43.1</b>
			3	9 285	5 546	22	30	45.5	53.5
2400	2600		0	729	340	0	0	-	-
			1	6 637	3 862	5	15	26.8	34.8
			2	<b>8 441</b>	<b>4 966</b>	<b>10</b>	<b>20</b>	<b>36.0</b>	<b>44</b>
2600	2800		3	10 531	6 290	23	35	46.1	54.1
			0	816	380	0	0	-	-
			1	7 422	4 319	6	16	27.1	35.1
2800	3000		2	<b>9 440</b>	<b>5 553</b>	<b>12</b>	<b>21</b>	<b>36.5</b>	<b>44.5</b>
			3	11 778	7 035	28	38	46.5	54.5
			0	902	420	0	0	-	-
3000			1	8 207	4 776	6	16	27.4	35.4
			2	<b>10 439</b>	<b>6 141</b>	<b>12</b>	<b>22</b>	<b>36.9</b>	<b>44.9</b>
			3	13 024	7 779	30	42	47.0	55
3200			0	988	461	0	0	-	-
			1	8 993	5 233	7	17	27.7	35.7
			2	<b>11 438</b>	<b>6 729</b>	<b>14</b>	<b>23</b>	<b>37.4</b>	<b>45.4</b>
3400			3	14 270	8 523	35	45	47.4	55.4
			0	1 074	501	0	0	-	-
			1	9 778	5 690	7	17	28.0	36
3600			2	<b>12 437</b>	<b>7 316</b>	<b>15</b>	<b>23</b>	<b>37.9</b>	<b>45.9</b>
			3	15 517	9 268	37	45	47.8	55.8
			0	1 161	541	0	0	-	-
3800			1	10 563	6 147	7	17	28.2	36.2
			2	<b>13 435</b>	<b>7 904</b>	<b>15</b>	<b>23</b>	<b>38.1</b>	<b>46.1</b>
			3	16 763	10 012	37	45	48.2	56.2

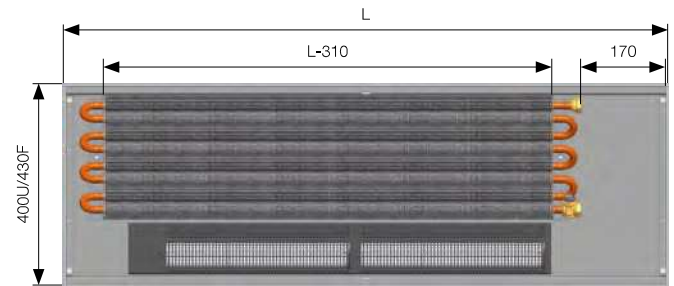
Temperature exponent [n]

1.0332

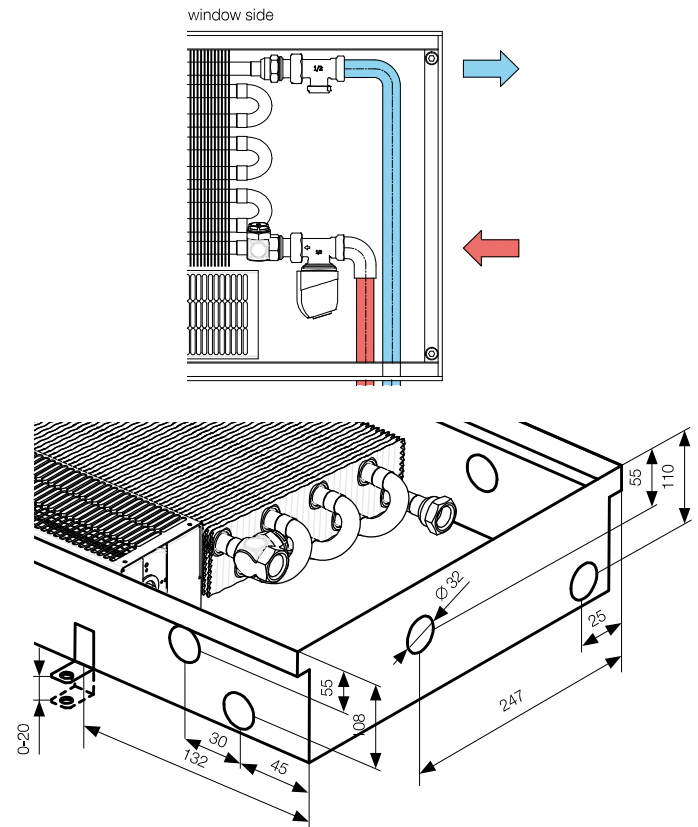


U = U-frame, F = F-frame

Where the F-frame is fitted, both the length and width increase by 30 mm. Measurements for U-frame and Cross frame are identical.



### Connections and connection measurements



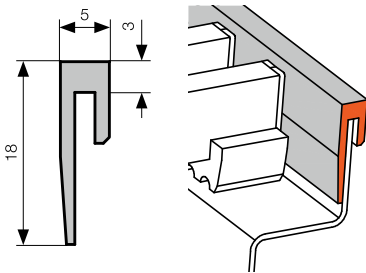
Measurements shown in mm.

### More information

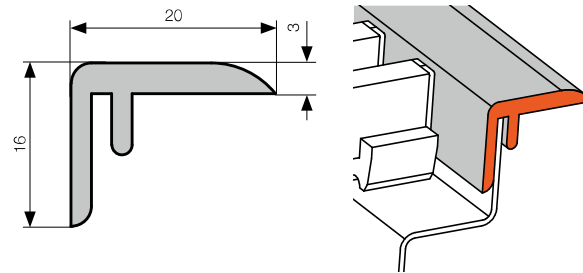
FV mounting p. 99, Raised floor installation p. 100, Convector connections p. 101, Linear grille supports p. 126, Regulation and accessories p. 103, Noise and acoustics p. 111, Basic tech. specifications p. 112, Pressure losses p. 113, Grilles p. 120–127

# FRAMES

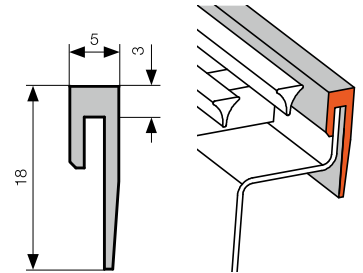
## Standard U-frame



## Optional F-frame



## Optional Cross grille frame (on request)



Measurements shown in mm.

# ORDER CODE



In the order code, always use the measurements in cm including U-frame, as listed in the output table for the respective model.

## Optimal-V

KORAFLEX	Ventilator	Optimal-V	Length (cm)	Depth (cm)	Width (cm)	Heat exchanger type	Heat exchanger colour	Frame	Frame colour	Connection side	Lowered face	For grille	Regulation
F	V	O	....	..	...-	V counter-flow	1 non-lacquered 5 RAL 9005 9 other RAL colour	U U-frame F F-frame C for Cross grille 0 without frame	1 silver elox 2 dark bronze elox 3 light bronz elox 9 other RAL colour 0 without frame	P right L left	0 without lowered face 1 lower face - input side 2 lower face - opposite input side 3 both sides lower	R roll-up L* linear	- RT 24 V DC regulation

L\* – technical alterations to convector casing see p. 102

### Example order code: FV0-120/11/26-V5U1P0R-RT

KORAFLEX trench heater with fan (forced convection), Optimal-V 24 V DC model, length 120 cm, depth 11 cm, width 26 cm, counter-flow RAL 9005 black lacquered heat exchanger U-frame, silver elox, right-hand connection, without lowered face, for roll-up grille, 24 V DC regulation.

## Energy

KORAFLEX	Ventilator	Energy	Length (cm)	Depth (cm)	Width (cm)	Heat exchanger type	Heat exchanger colour	Frame	Frame colour	Connection side	Lowered face	For grille	Regulation
F	V	E	....	..	...-	V counter-flow	1 non-lacquered 5 RAL 9005 9 other RAL colour	U U-frame F F-frame C for Cross grille 0 without frame	1 silver elox 2 dark bronze elox 3 light bronz elox 9 other RAL colour 0 without frame	P right L left	0 without lowered face 1 lower face - input side 2 lower face - opposite input side 3 both sides lower	R roll-up L* linear	- RE 230 V AC regulation

L\* – technical alterations to convector casing see p. 102

### Example order code: FVE-120/11/26-V1U1P0R-RE

KORAFLEX trench heater with fan (forced convection), 230 V AC Energy model, length 120 cm, depth 11 cm, width 26 cm, counter-flow non-lacquered heat exchanger U-frame, silver elox, right-hand connection, w/o lowered face, for roll-up grille, with 230 V AC regulation.



Cross grille – design solutions – Note, please, that Cross grilles must be ordered together with trench heaters, as the casing must undergo alteration. These trench heaters will be fitted with Cross frame suitable for Cross grille. For more information – see p. 125.



Where a linear grille is required, technical consultation is necessary, as the casing may need to undergo alteration. Note, please, that the linear grilles must be ordered together with trench heaters. For more info, see p. 126.



For a summary and description of grilles available, including order codes, see p. 120–127.

Alterations to technical specifications reserved.



# [ Licon OKIOC

## WALL MOUNTED CONVECTORS

with forced convection and optimized convection

Developed for low temperature heating systems, high efficiency guaranteed also at very low temperature gradients, e.g. 35/30 °C. Ideal everywhere, where the heat source is a heat pump, a solar system, a condensation boiler or as a supplementary source of heat for floor heating, particularly during a transitional period or when an instant temperature increase in the room is required. At the same time suitable for rooms' dry-cooling during the summer months. All of this with the benefits of the Optimized Convection system – low noise and low fan intake while maintaining maximally attainable performances.

Univeral use – heating and dry-cooling!



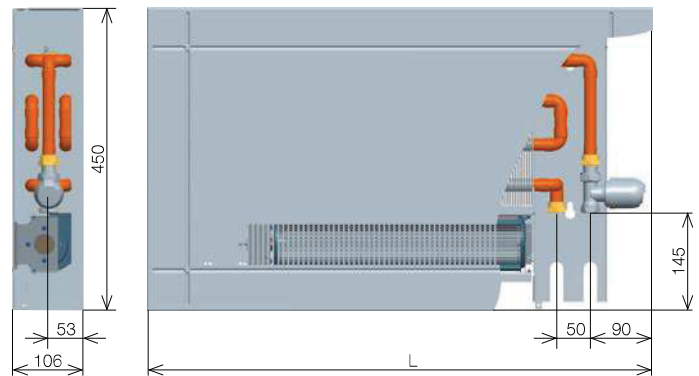


# Wall mounted convectors with forced convection

## Licon OKIOC 45/11



- used for heating or dry-cooling
- high efficiency even at low temperatures of the heating system
- patented design solutions
- high-performance, low energy and quiet fans
- the same regulation as the one for floor convectors PKOC and free standing convector with forced convection OLOC
- two pipe system
- right bottom connection
- possibility of control through BMS (Building Management System)
- the convector is intended for dry environment



The dimensions are given in mm.

### Specification

height (mm)	450
depth (mm)	106
length (L mm)	750, 1 000, 1 250, 1 500, 1 750, 2 000
exchanger height (mm)	240
exchanger width (mm)	100
fans' impeller diameter (mm)	60
connection to the heating system	inner G 1/2"
connection method	recommended bottom connection, right

Version OKIOC • coated in RAL 9010 zinc galvanised steel

### Technical parameters



Height	cm	45																									
Depth	cm	11																									
Lengths	cm	75				100				125				150				175				200					
Noisiness - acoustic pressure 1m	dB(A)	0	23.1	31.3	38	0	23.4	31.7	38.5	0	23.7	32.1	39	0	24	32.5	39.5	0	24.4	33	40.1	0	24.7	33.4	40.6		
Max. intake/voltage DC	W/V	5.5/12-24				8/12-24				9.5/12-24				14/12-24				16/12-24				18.5/12-24					
Rpm		Off	1	2	3	Off	1	2	3	Off	1	2	3	Off	1	2	3	Off	1	2	3	Off	1	2	3		
Cooling output	t1 °C hum. %	Cooling output [W]																									
		28	50	0	149	207	263	0	291	407	527	0	387	542	703	0	434	604	791	0	523	732	966	0	618	864	1141
		26	50	0	123	171	218	0	240	337	435	0	320	448	581	0	359	499	653	0	432	605	798	0	510	714	943
24	50	0	93	128	163	0	180	252	327	0	241	336	435	0	270	375	490	0	323	454	598	0	383	536	708		
Heat output	t1 °C	Heat output [W] / EN 442																									
		18	281	858	1139	1444	563	1716	2279	2888	751	2288	3039	3850	844	2574	3418	4332	1032	3146	4178	5294	1220	3718	4938	6257	
		20	<b>270</b>	<b>823</b>	<b>1093</b>	<b>1385</b>	<b>540</b>	<b>1646</b>	<b>2186</b>	<b>2770</b>	<b>720</b>	<b>2195</b>	<b>2915</b>	<b>3693</b>	<b>810</b>	<b>2469</b>	<b>3279</b>	<b>4155</b>	<b>990</b>	<b>3018</b>	<b>4008</b>	<b>5078</b>	<b>1170</b>	<b>3566</b>	<b>4736</b>	<b>6002</b>	
22	259	788	1047	1326	517	1576	2093	2652	689	2102	2791	3537	776	2364	3140	3979	948	2890	3838	4863	1120	3415	4535	5747			
70/55 °C	18	239	727	966	1224	477	1454	1932	2448	636	1939	2575	3263	716	2182	2897	3671	875	2666	3541	4487	1034	3151	4185	5303		
	20	227	693	920	1165	454	1385	1839	2331	606	1847	2453	3108	682	2078	2759	3496	833	2539	3372	4273	985	3001	3986	5050		
	22	216	658	874	1107	432	1316	1748	2215	576	1755	2330	2953	648	1974	2622	3322	791	2413	3204	4060	935	2851	3787	4798		
55/45 °C	18	168	512	680	862	336	1025	1361	1724	448	1366	1814	2299	504	1537	2041	2587	616	1879	2495	3161	728	2220	2949	3736		
	20	157	478	635	805	314	957	1271	1610	419	1276	1694	2147	471	1435	1906	2415	575	1754	2330	2952	680	2073	2753	3489		
	22	146	445	590	748	292	889	1181	1496	389	1186	1575	1995	438	1334	1771	2245	535	1630	2165	2743	632	1927	2559	3242		
50/40 °C	18	140	428	568	720	281	856	1136	1440	374	1141	1515	1920	421	1283	1704	2160	515	1568	2083	2640	608	1854	2462	3119		
	20	129	394	524	663	259	788	1047	1327	345	1051	1396	1769	388	1183	1571	1990	474	1445	1920	2432	560	1708	2269	2875		
	22	118	361	479	607	237	722	958	1214	316	962	1278	1619	355	1082	1437	1821	434	1323	1757	2226	513	1563	2076	2631		

- temperature exponent  $m = 1.062$

*Cooling is possible only in the non-condensation zone, i.e. above the temperature of the dew-point. The element is not provided with condensate drain. Listed cooling outputs SENSITIV.*

*Cooling outputs for other operating conditions on request.*

*\* SENSITIV - cooling power actually delivered for cooling the air.*

*Correction factor page 64 • Assembly page 65 • Regulation page 66*



## KORAWALL OKIOC FAN FORCED CONVECTORS | 24V DC

PRODUCT CODE	VERSION	HEIGHT	DEPTH	LENGTH (mm)					
				750	1000	1250	1500	1750	2000
LOKIOC-***/450/11-1001-R1	24V DC	450mm	110mm	\$ 2,235.00	\$ 2,635.00	\$ 2,920.00	\$ 3,370.00	\$ 4,610.00	\$ 4,885.00
FAN SPEED SETTING No: 2	HEAT OUTPUT 75/65/20°C   WATTS			1093	2186	2915	3279	4008	4736
	HEAT OUTPUT 55/45/20°C   WATTS			635	1271	1694	1906	2330	2753

- \* ECONOMIC | Non Laquered Al/CU heat exchanger with bleed valve
- \* RAL 9010 White coated zinc galvanised steel case
- \* Set of Low-Energy EC fans 24V DC | \* Connecting Terminal (F Box)
- \* 2 pipe system | \* Bottom Right connection | \* BMS compatible
- \* Wall mounting brackets | \* Mounting and maintenance instructions

\* KORAWALL OKIOC NOT A STOCKED ITEM | \* LEAD TIME 12-16 WEEK FROM ORDER DATE

\* ALL PRICING IS EXCLUDING GST

## Correction factor $k_t$ for a variant temperature difference $\Delta t$ (K)

### OKIOC 45/11

$\Delta t$ (K)	18	19	20	21	22	23	24	25	26	27	28	29	30	31	32	33
$k_t$	0.338	0.358	0.378	0.398	0.418	0.438	0.459	0.479	0.499	0.520	0.540	0.561	0.581	0.602	0.623	0.643
$\Delta t$ (K)	34	35	36	37	38	39	40	41	42	43	44	45	46	47	48	49
$k_t$	0.664	0.685	0.705	0.726	0.747	0.768	0.789	0.810	0.831	0.852	0.873	0.894	0.915	0.936	0.958	0.979
$\Delta t$ (K)	50	51	52	53	54	55	56	57	58	59	60					
$k_t$	1.000	1.021	1.043	1.064	1.085	1.107	1.128	1.149	1.171	1.192	1.214					

- temperature exponent  $m = 1.062$

## Weights and water volumes of the wall mounted radiator OKIOC

Type	45/11
kg/linear meter	18.2
l/1 linear meter	1.4

The listed weights are without a packaging.

## The contents of supplies and selectable specifications

### Standard delivery contains

- sheathing of zinc galvanised steel sheet coated in shade RAL 9010 – white
- Al/Cu heat exchanger with low water content, air vent and uniquely shaped lamellas for a higher heat output
- group of low-energy fans
- connecting terminal (F Box)
- wall-mounting brackets
- mounting and maintenance instructions
- the set is packed in a cardboard packaging

### Optional accessories

- in case of ordering more than 5 units it is possible to select another sheathing colour shade (the manufacturer must be consulted in connection with the change)
- shut off valve, thermostatic valve and thermoelectric drive

### Note:

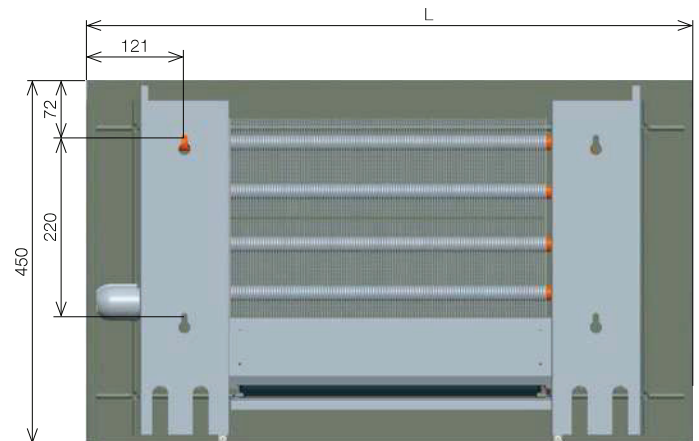
- Standard supply does not include the regulation. The regulation must be ordered separately in accordance with the technical parameters.
- Electrical regulation and regulation elements see page 66
- Regulation is identical for all OC convectors



## Licon OKIOC

- It is recommended to position the wall mounted heating element on a peripheral wall, 10 cm above the floor.
- The hot water supply always in the upper pipes; recommend to fit with the stop valve and the thermostatic valve (consultation with the designer is required in case of cooling).
- We recommend to fit the fans once all building work is completed. The exchanger and the sheathing must be well protected against fouling and regular maintenance carried out – including cleaning of exchangers and fans.
- The convector is fitted to the wall using brackets. Then the heat exchanger is inserted and connected to the heating system. We recommend to check the correct position of the exchanger and the fittings in relation to the sheathing. Fit the fans and the sheathing only after all building work has been completed.

### Anchoring diagram



### Assembly electrical part

- Regulation is identical with the one for floor convectors and free standing convector with forced convection
- We recommend to fit OKIOC with the thermoelectric drive
- Do not forget to provide power supply near the installation – more details in the electrical assembly part on page 66 or in the installation instructions

### Design solution of the front face of OKIOC

The wall mounted heating elements OKIOC have on their front face a significant design element, which consists of one design section in the lengths of 75, 100 and 125 cm, two sections in the lengths of 150 and 175 cm and three sections in the length of 200 cm.

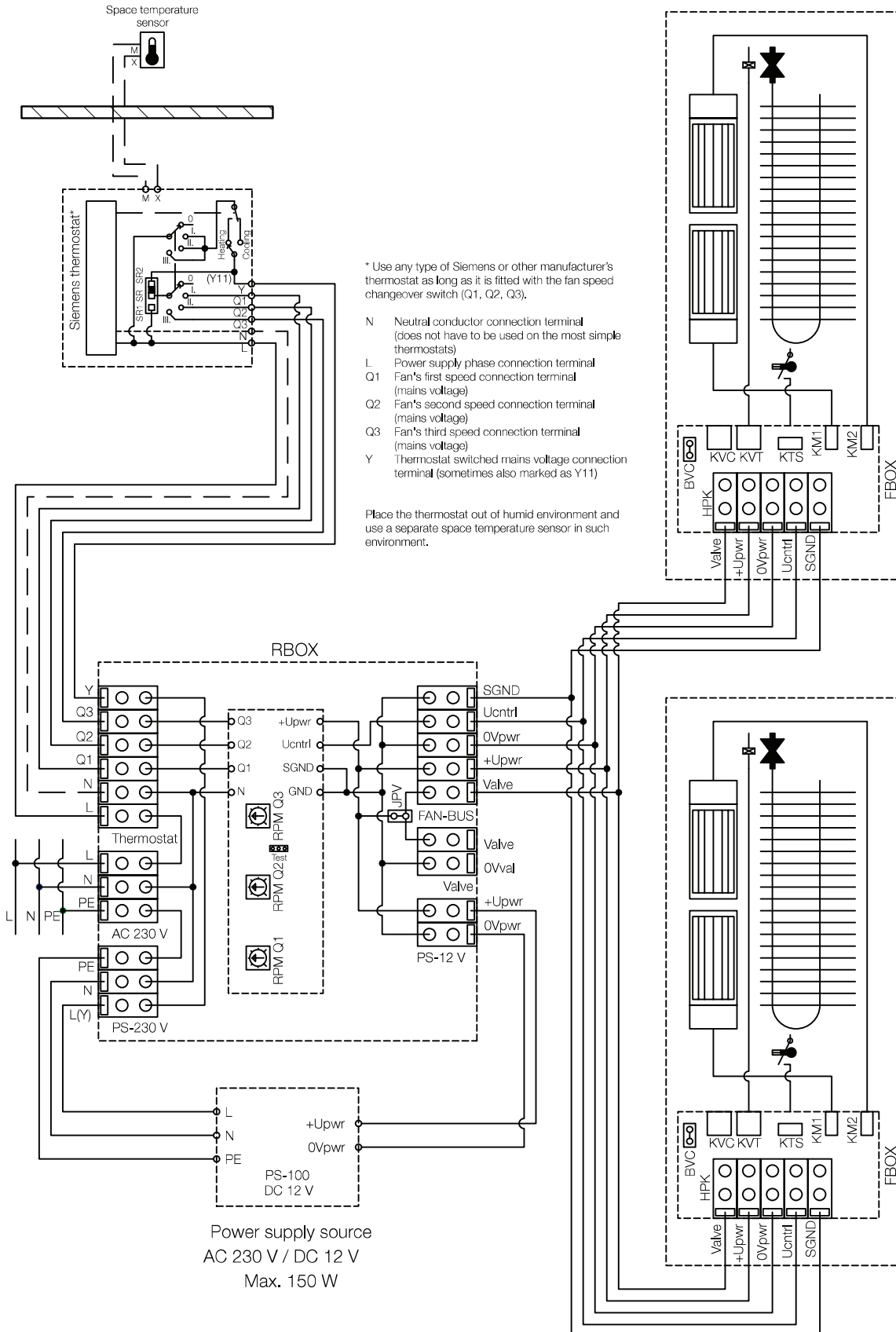
**Note:** Easily removable cover for better access to the heat exchanger (for instance for easier cleaning).

## Ordering codes Convectors OKIOC

Exclusive	white steel/unpainted exchanger	OKIOC	-	length	/	height	/	depth	-	Cover grid finish	00 Embossed grid	1	-	R1
* custom-made design	Wall mounted convectors with forced convection Licon OKIOC (heating and dry-cooling)									1	00	1		
										Sheathing material	Exchanger finishes			Elements of electrical regulation in a converter R1 standard
										1 steel, white coat RAL 9010 9 other finish/colour RAL of the sheathing*	1 recuperative, unpainted			

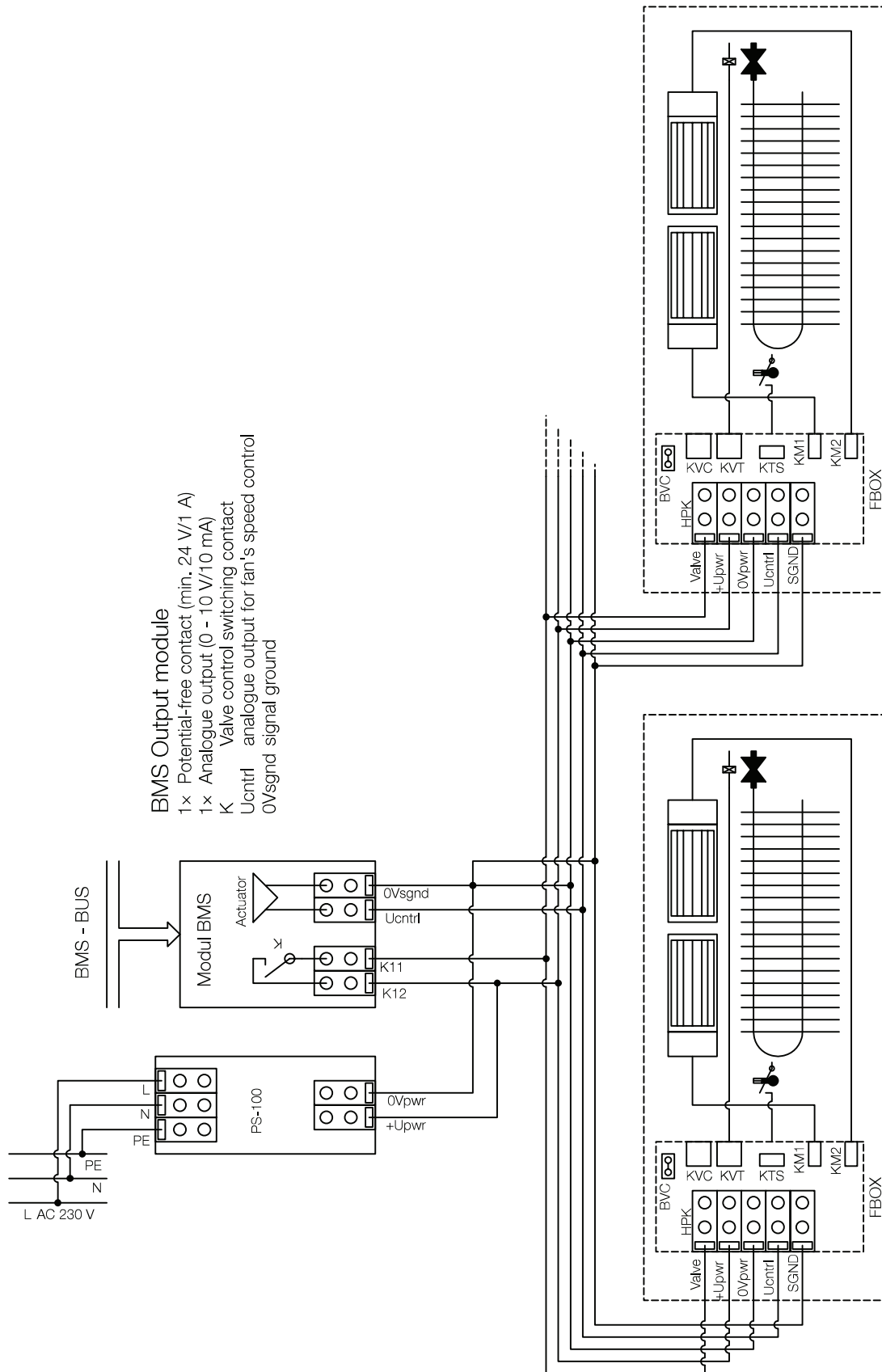
# Connection diagram of convectors in the variant with heating media valves.

## Connection diagram for 12 V DC regulation of LICON OC convectors (PKOC, PKBOC, PKWOC, PKIOC, OLOC, OKIOC)

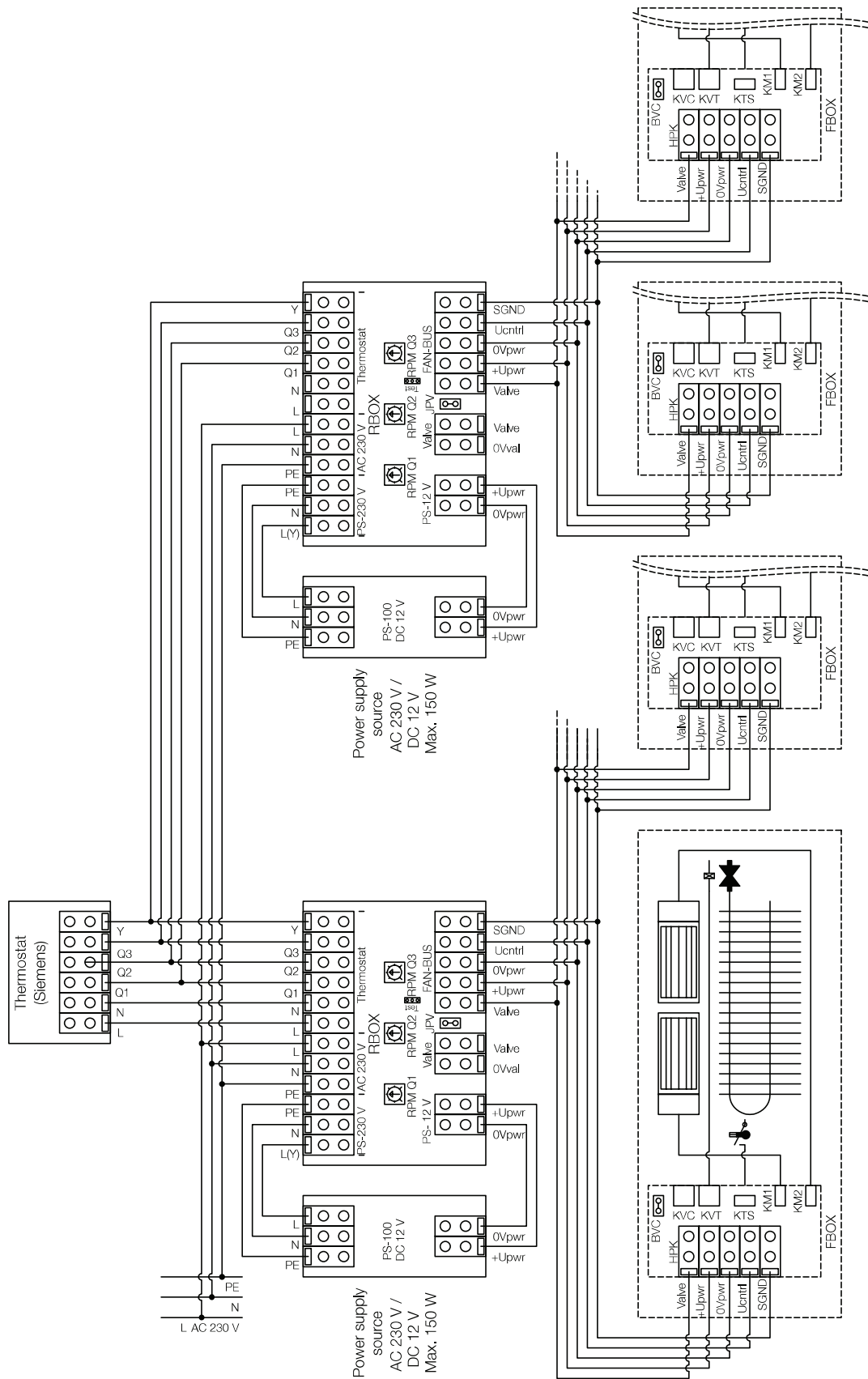




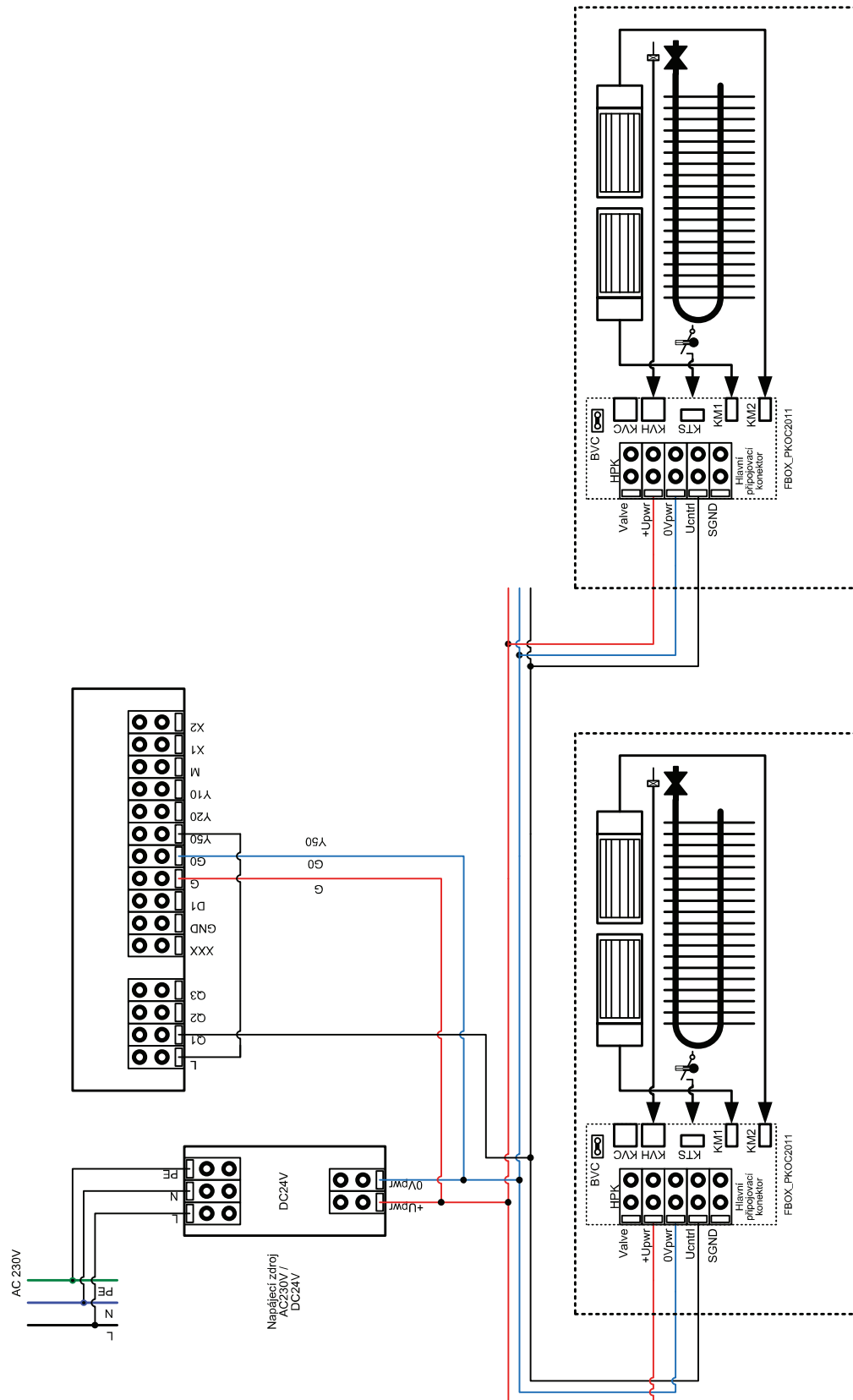
Connection diagram for 12 V and 24 V DC regulation of LICON OC convectors (PKOC, PKBOC, PKWOC, PKIOC, OLOC, OKIOC) – BMS control (Building Management System)



Connection diagram for 12 V DC regulation of LICON OC converters (PKOC, PKBOC, PKWOC, PKIOC, OLOC, OKIOC) with multiple DC voltage supply sources



Connection diagram for 24 V DC regulation of LICON OC convectors (PKOC, PKBOC, PKIOC, OLOC, OKIOC), two-pipe system



Note: Standard regulation is not equipped for independent control of valves (thermal drives) as for 4-tube systems (PKWOC).