



**5 YEAR
WARRANTY***

The Arden Heat Pump range are an economical and environmental solution to your heating, cooling and domestic hot water requirements.

Able to produce water up to 75°C making them ideal for hydronic heating and domestic hot water production.

The units R290 refrigerant has a low GWP (Global Warming Potential) of 3, limiting its environmental impact.

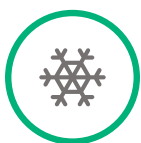
WiFi smart controller and app allows for simple real time control and system diagnostics.

Utilising a full DC inverter compressor and fan motor minimising your energy consumption and saving costs while providing the heating and cooling you require.

Ambient operating temperatures from -25°C to 45°C so your home can be heated or cooled whenever you like.



Heating



Cooling



Hot Water



Heating &
Hot Water



Cooling &
Hot Water



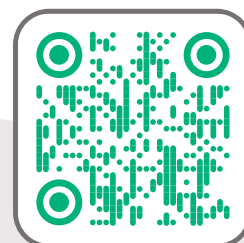
ARDEN Heat Pumps Pty Ltd

t 1300 14 14 55

e mail: sales@ardenheatpumps.com.au

a 10 Frankston Gardens Drive, Carrum Downs VIC 3201

w ardenheatpumps.com.au



View Product on our website for more info

Arden 290 - BLN-12

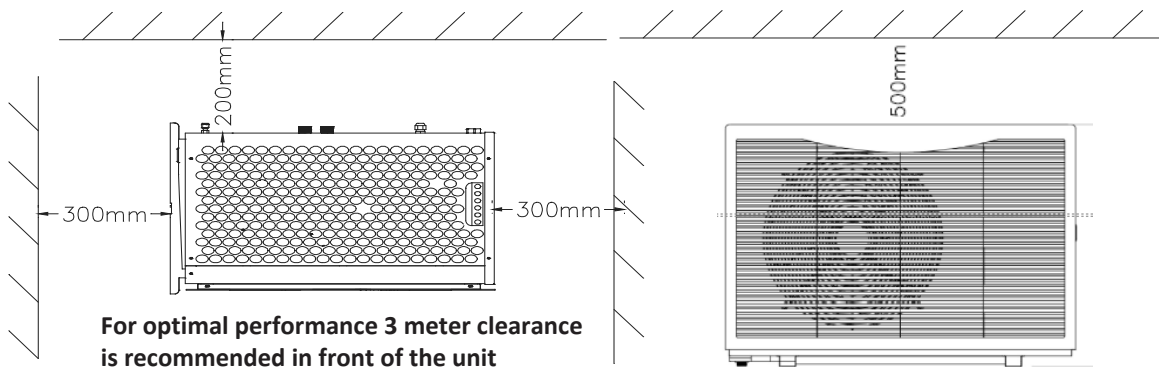
Technical Data

BLN-012TC1

BLN-012TC3

Power supply	V/Ph/Hz	220~240/1/50	380~415/3/50
Nominal Heating (Max) (A7/6°C,W30/35°C)	Heating capacity	kW	4.3~15.20
	Power input	kW	0.87~3.73
	Current input	A	4.02~16.38
Nominal Heating (Max) (A7/6°C,W47/55°C)	Heating capacity	kW	4.25~14.55
	Power input	kW	1.4~4.28
	Current input	A	6.71~18.8
Nominal Cooling (Max) (A35/24°C,W12/7°C)	Heating capacity	kW	3.65~11.04
	Power input	kW	1.12~3.97
	Current input	A	5.18~17.44
ERP level (Outlet water temp. at 35°C)	/	A+++	A+++
Max. input power	kW	5.40	5.85
Max. input current	A	25.0	10.0
Refrigerant	/	R290	R290
Rated water flow	m ³ /h	2.06	2.06
Fan quantity	/	1	1
Fan motor type	/	DC inverter	DC inverter
Compressor	/	DC inverter/Rotary	DC inverter/Rotary
Circulating pump	/	Inverter type / Built-in	Inverter type / Built-in
IP class	/	IPX4	IPX4
Sound pressure at 1m distance	dB(A)	50	50
Max outlet water temperature	°C	75	75
Water piping connections	/	DN 25 (1")	DN 25 (1")
Water pressure drop(max)	kPa	25	25
Operating temperature range (Heating mode)	°C	-25~45	-25~45
Operating temperature range (Cooling mode)	°C	16~45	16~45
Unpacked dimensions (LxDxH)	mm	1287*448*904	1287*448*904
Packed dimensions (LxDxH)	mm	1450*530*1050	1450*530*1050
Unpacked weight	kg	123	123
Packed weight	kg	138	138

Heat Pump Installation Spacing for Maintenance and Performance



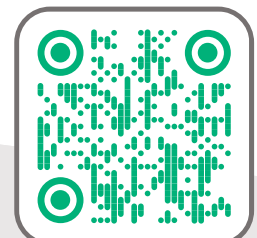
ARDEN Heat Pumps Pty Ltd

t 1300 14 14 55

e mail: sales@ardenheatpumps.com.au

a 10 Frankston Gardens Drive, Carrum Downs VIC 3201

w ardenheatpumps.com.au



View Product on our website for more info