

Arden R32 Range



**5 YEAR
WARRANTY***

The Arden Heat Pump range are an economical and environmental solution to your heating, cooling and domestic hot water requirements.

Utilising the R32 refrigerant the units are able to produce water up to 60°C making them ideal for in-slab/in-screed hydronic heating and cooling along with domestic hot water production.

Included with all systems are the WiFi smart controller and app allows for simple real time control and system diagnostics and anti-vibration feet.

Full DC stepless (1 Hz) inverter technology provides high efficiency and increased energy and cost saving while providing the heating and cooling you require.

Ambient operating temperatures from -25°C to 45°C so your home can be heated or cooled whenever you like.



Heating



Cooling



Hot Water



Heating &
Hot Water



Cooling &
Hot Water



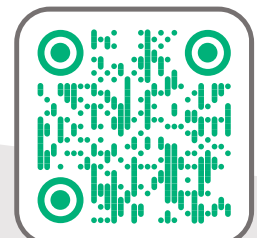
ARDEN Heat Pumps Pty Ltd

t 1300 14 14 55

e mail: sales@ardenheatpumps.com.au

a 10 Frankston Gardens Drive, Carrum Downs VIC 3201

w ardenheatpumps.com.au



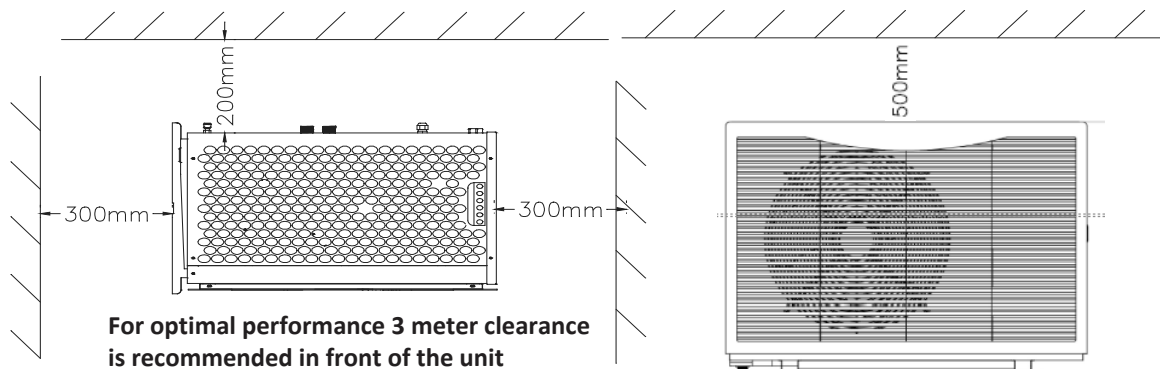
View Product on our
website for more info

Arden R32 - Range

Technical Data

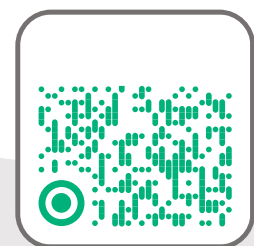
			BLN-006TB1	BLN-010TB1	BLN-010TB3	BLN-014TB1	BLN-014TB3	BLN-018TB1	BLN-018TB3	BLN-024TB3
Power supply	V/Ph/Hz		220-240/1/50	220-240/1/50	380-415/3/50	220-240/1/50	380-415/3/50	220-240/1/50	380-415/3/50	380-415/3/50
Nominal Heating (Max) (A7/6°C,W30/35°C)	Heating capacity	kW	6.46(2.50-8.30)	10.58(4.20-12.20)	10.58(4.20-12.20)	14.45(5.30-16.50)	14.45(5.30-16.60)	18.77(6.20-20.50)	18.77(6.20-20.50)	24.33 (6.50-26.10)
	Power input	kW	1.31	2.29	2.29	3.06	3.06	3.99	3.99	5.10
	COP	W/W	4.93	4.62	4.62	4.72	4.72	4.70	4.70	4.77
Nominal Heating (Max) (A7/6°C,W47/55°C)	Heating capacity	kW	5.92	9.47	9.47	13.89	13.89	16.90	16.90	24.29
	Power input	kW	1.85	3.09	3.09	4.47	4.47	5.47	5.47	7.93
	COP	W/W	3.21	3.06	3.06	3.11	3.11	3.09	3.09	3.06
Nominal Cooling (Max) (A35/24°C,W12/7°C)	Cooling Capacity	kW	5.66	8.34	8.34	13.24	13.24	15.88	15.88	20.89
	Power input	kW	1.74	2.66	2.66	4.12	4.12	4.99	4.99	6.70
	EER	W/W	3.25	3.14	3.14	3.21	3.21	3.18	3.18	3.12
ERP Level (Outlet water temp. at 35°C)	/		A+++	A+++	A+++	A+++	A+++	A+++	A+++	A+++
ERP Level (Outlet water temp. at 55°C)	/		A++	A++	A++	A++	A++	A++	A++	A++
Rated input power	kW		2.71	3.83	3.83	5.97	5.97	7.24	7.24	9.38
Rated input current	A		12.00	17.00	6.5	26.50	10.50	35.50	13.20	17.30
Refrigerant / Weight	/		R32	R32	R32	R32	R32	R32	R32	R32
Rated water flow	m ³ /h		1.10	1.75	1.75	2.50	2.50	3.20	3.20	4.20
Fan quantity	/		1	1	1	1	1	2	2	2
Fan motor type	/									
Compressor	/									
Circulating pump	/									
IP Class	/									
Sound pressure at 1m distance	dB(A)		50	51	51	52	52	54	54	55
Max outlet water temperature	°C		60	60	60	60	60	60	60	60
Water piping connections	/		DN 25 (1")	DN 25 (1")	DN 25 (1")	DN 32 (1-1/4")	DN 32 (1-1/4")	DN 40 (1.5")	DN 40 (1.5")	DN 40 (1.5")
Pressure drop at rating water flow	kPa		25	27	27	30	30	32	32	32
Operating temperature range(Heating mode)	°C		-30-45	-30-45	-30-45	-30-45	-30-45	-30-45	-30-45	-30-45
Operating temperature range(Cooling mode)	°C		16-45	16-45	16-45	16-45	16-45	16-45	16-45	16-45
Unpacked Dimensions (LxDxH)	mm		1110*445*850	1110*445*850	1110*445*850	1110*475*850	1110*475*850	1050*420*1250	1050*420*1250	1050*420*1250
Packed Dimensions (LxDxH)	mm		1160*530*1010	1160*530*1010	1160*530*1010	1160*565*1010	1160*565*1010	1100*480*1400	1100*480*1400	1100*480*1400
Un Packed Weight	kg		95	109	109	125	125	155	155	174
Packed Weight	kg		105	119	119	140	140	175	175	194

Heat Pump Installation Spacing for Maintenance and Performance



ARDEN Heat Pumps Pty Ltd

- t** 1300 14 14 55
- e** mail: sales@ardenheatpumps.com.au
- a** 10 Frankston Gardens Drive, Carrum Downs VIC 3201
- w** ardenheatpumps.com.au



View Product on our website for more info